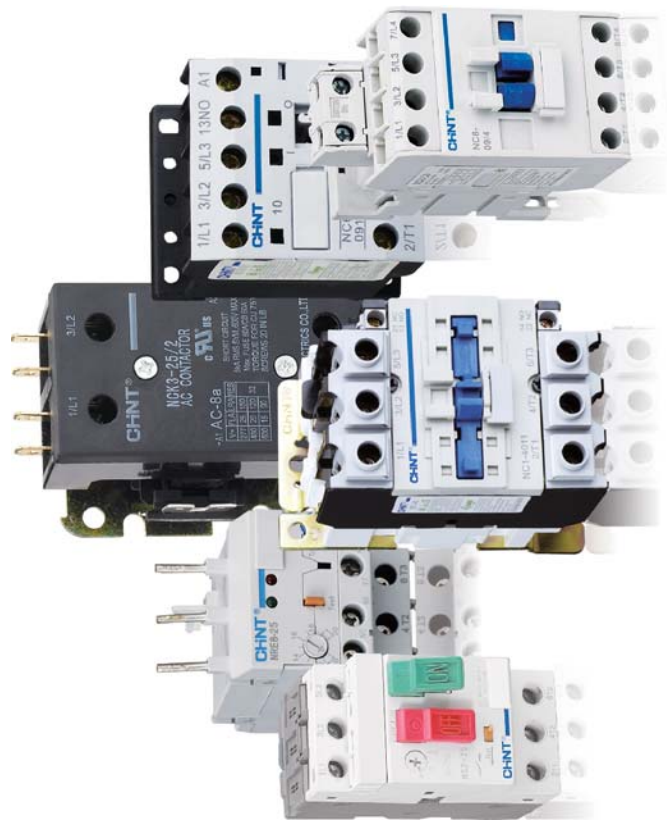


Contactors, Relays, Starters



© CHINT. N9. EN B04



Contactors, Relays, Starters

© CHINT. N9. EN B04



ZHEJIANG CHINT ELECTRICS CO., LTD.
 Add: No. 1, CHINT Road, CHINT Industrial Zone, North Baixiang,
 Yueqing, Zhejiang, 325603, P.R.China
 Tel: +86-577-61966098
 Fax: +86-577-62715769 62871811
 E-mail: global-sales@chint.com
 Website: www.chint.net



© CHINT Electric. All Rights Reserved Recycle Paper Printed

Aug 2011

Specifications and technical data are subject to change without notice.
 Please contact us to confirm relevant information on ordering.



CHINT

CHINT



CHINA+TOMORROW= CHINT

“CHIN” indicates “CHINA”, and “T” represents “TOMORROW”, proclaiming its signification-“Tomorrow of China”.



Zhejiang CHINT Electrics Co.,Ltd. (public company, SHA:601877) is the largest-selling low-voltage electrics manufacturers in China. The company mainly engages in the research & development, manufacturing and sales of over 100 series low-voltage products with over 10,000 specification, such as modular Din-rail products, Moulded Case Circuit Breaker, Control products, Relays, Inverters, Soft Starters, Transformers, Automatic Voltage Regulators, Capacitors, Switch Disconnections, etc. and provides integrated electrical system solution for the industries of electric power, machinery, building, communication, HVAC, metallurgy, petrochemical, railway and etc.



With its worldwide presence of distribution network, CHINT is capable of delivering high quality and professional services for its customers at home and abroad.



CHINT is consistently committed to developing itself into a world-class electric supplier of integrated system solutions in this era of economic globalization. By adhering to the development strategy of “internationalization, High-Technology and Industrialization”, the company has persistently devoted itself to the innovation measures in corporate system, technology, and management with a vision of offering global customers with high-performance, intelligent and energy-saving electric products, technologies and services.





Marketing Network

Chint not only has advanced production equipment, strict quality management and innovative research and development team, but also a worldwide marketing network consisting of 5 international marketing areas, 13 domestic marketing offices, 12 logistics centers, more than 280 specialty stores and more than 1000 sales companies, which are always ready to provide the users with high-quality professional services.





Europe



America



CIS Region



West Asia & Africa



Asia-Pacific



CHINT Electric Systems



Thermal power station



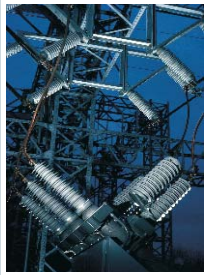
Hydraulic power station



Wind Power station



Solar power station



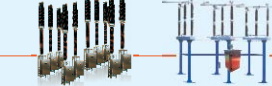
Power Factor Compensation(Outdoor)



HV Capacitor



Automatic Meter Reading System



HV SF6 Circuit Breaker



HV Switch-Disconnector



KWH Meter



Microcomputer Protection-Control Device



Prefabricated Substation



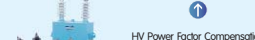
Power Transformer



GIS



HV Power Capacitor



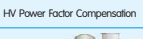
HV Power Factor Compensation



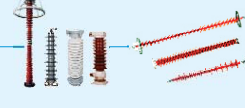
HV Power Transformer



Outdoor HV AC Switch-Disconnector



HV Power Factor Compensation



Surge Arresler Insulator



Reactor

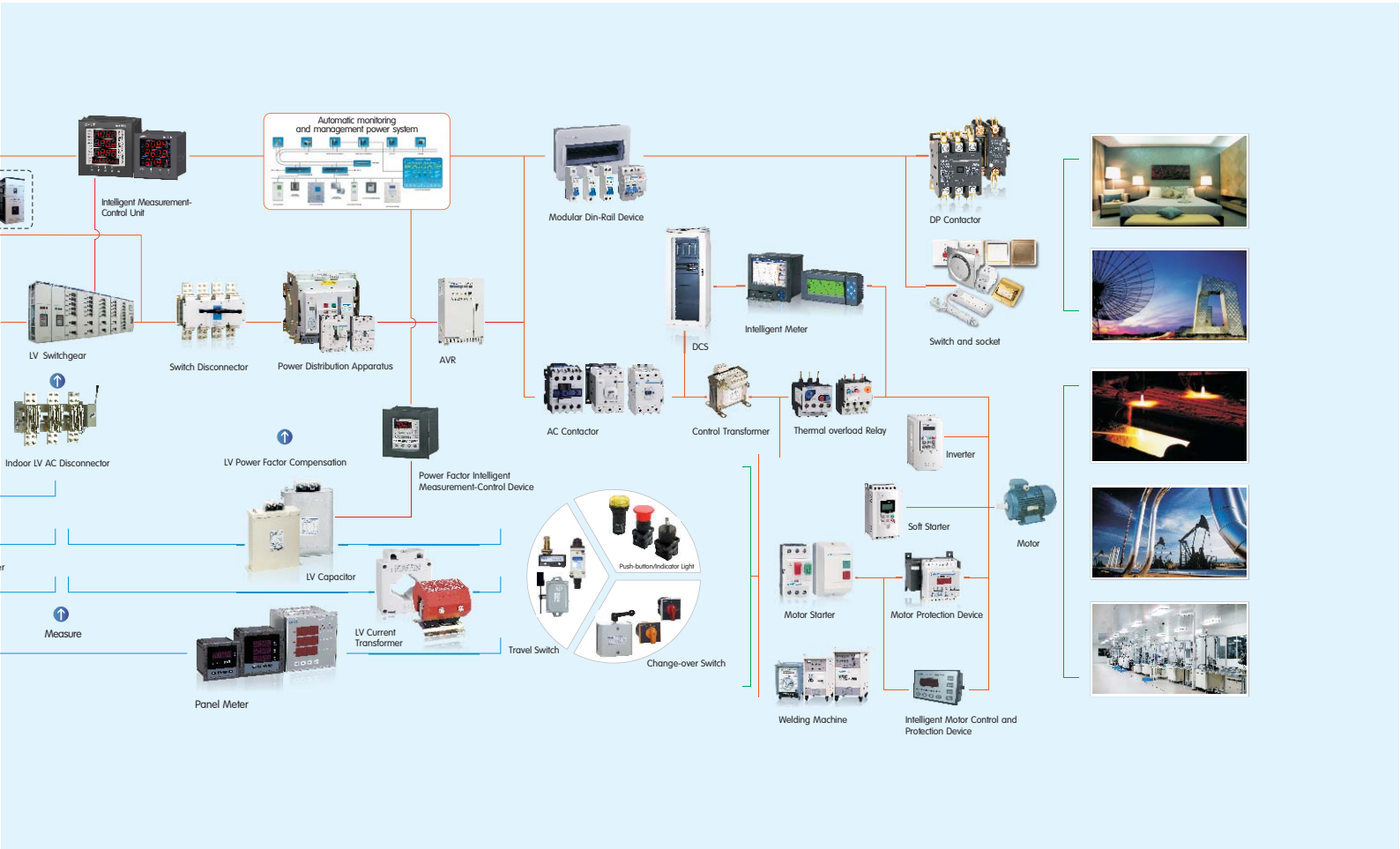


HV Current/Voltage Transformer



KWH Meter

Power of Dedication has transformed CHINT from a simple electric component manufacturer into a leading electric system solution provider, enabling all users from power transmission, distribution and usage sectors to access more reliable, secure, energy-saving, precise, eco-friendly, and intelligent electric products and services. CHINT highly values all personalized demands of electric power, machinery, construction, communications, HVAC, metallurgy, petrochemical, railway, and other industries all the time, and devote itself to facilitating technical innovations and building a green future by providing users with world-class tailor-made electric system solutions.



Contactors, Relays, Starters

Contactors



NC8
AC Contacteur

Page 01



NC7
AC Contacteur

Page 32



NC6
Contactor
6~9A

Page 48



NC1
Contactor
9~95A

Page 51



NC1-N
Reversing &
change-over type
9~95A

Page 64



NC2
Contactor
115~800A

Page 68



NC2-N
Reversing &
change-over type
115~800A

Page 76



NCK3
Definite Purpose
Contactor
25~90A

Page 80



NCH8
Modular AC
Contactor

Page 84



CJ19
for Power Factor
Correction

Page 87

Contactors, Relays, Starters

Relays



NR8
Thermal
Overload Relay

Page 89



NRE8
Electronic
Overload Relay

Page 93



NR2
Thermal
Overload Relay

Page 99

Starters



NS2
Manual Motor Starter

Page 109



NQ2
Direct On-line Starter

Page 118



NQ3
DOL
Electromagnetic
Starter

Page 123

Order Code

Page 126

NC8 Series

Current range: 6~100A
(6A, 9A, 12A, 18A, 25A, 32A, 38A, 40A, 50A, 65A, 80A, 100A)
Poles: 3P, 4P

3-pole contactor



Frame size (A)

6, 9, 12
Mini type
2.2, 4, 5.5

9, 12, 18
Normal type
4, 5.5, 7.5

25, 32, 38
11, 15, 18.5

Power (kW,400V)

4-pole contactor





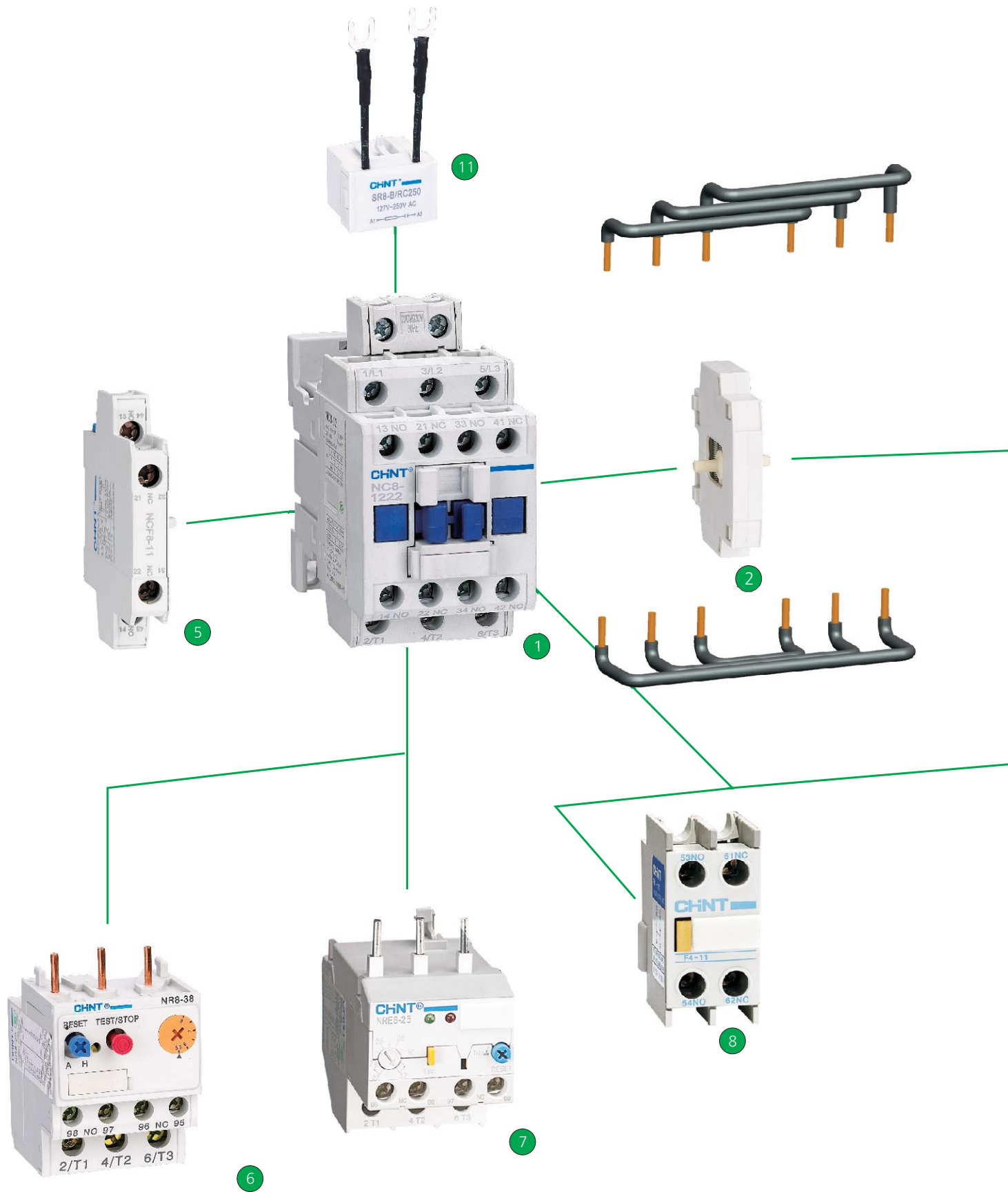
40, 50, 65

80, 100

18.5, 22, 30

37, 45





NC8 and Accessories



- 1 contactor
- 2 Mechanical interlock block
- 3 contactor
- 4 side mount aux
- 5 side mount aux
- 6 thermal relay
- 7 electronic relay
- 8 front mount aux
- 9 front mount aux
- 10 Pneumatic timers
- 11 surge arrester block
- 12 Bus bar
- 13 Bus bar



NC8 Series AC Contactor

1. General

NC8 series AC contactor is applied to circuits with AC current frequency of 50 Hz or 60 Hz, rated operational voltage up to 690 V and rated operational current up to 100 A. It is used for remote making & breaking circuits, and can also be used with proper thermal overload relay together as an electromagnetic starter to protect circuits from overload.

This product conforms to standards IEC/EN 60947-4-1.

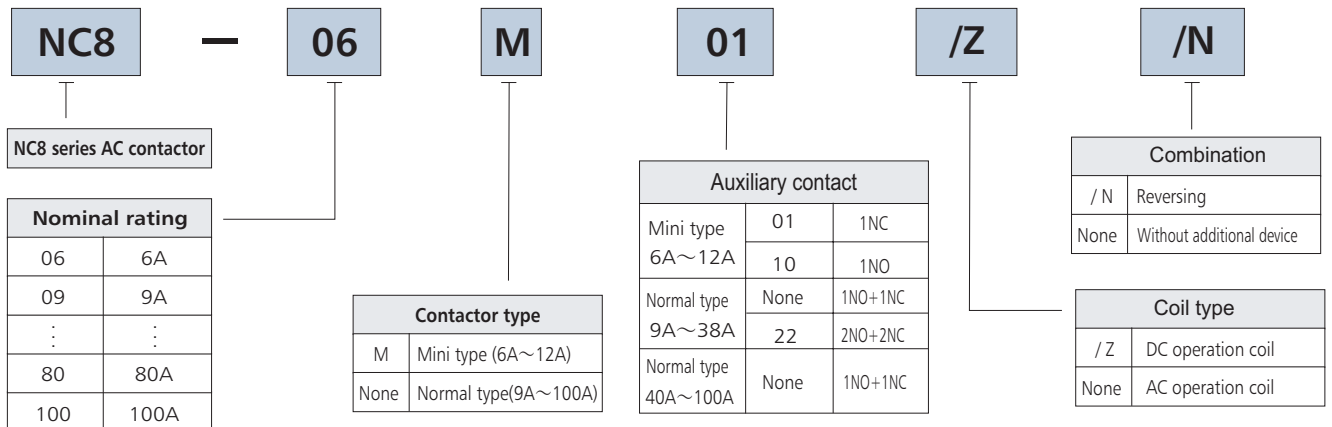
2. Normal operation conditions, mounting conditions

- 2.1 Certificates: CE,UL,KEMA;
- 2.2 Electric ratings: AC 50/60Hz, up to 690V, up to 100A;
- 2.3 Application: remotely makes and breaks circuit; protect circuit from overload assembling with proper thermal relay;
- 2.4 Utilization category: AC-1, AC-3, AC-4;
- 2.5 Mounting conditions: inclination between mounting plane and vertical plane not exceed $\pm 22.5^\circ$

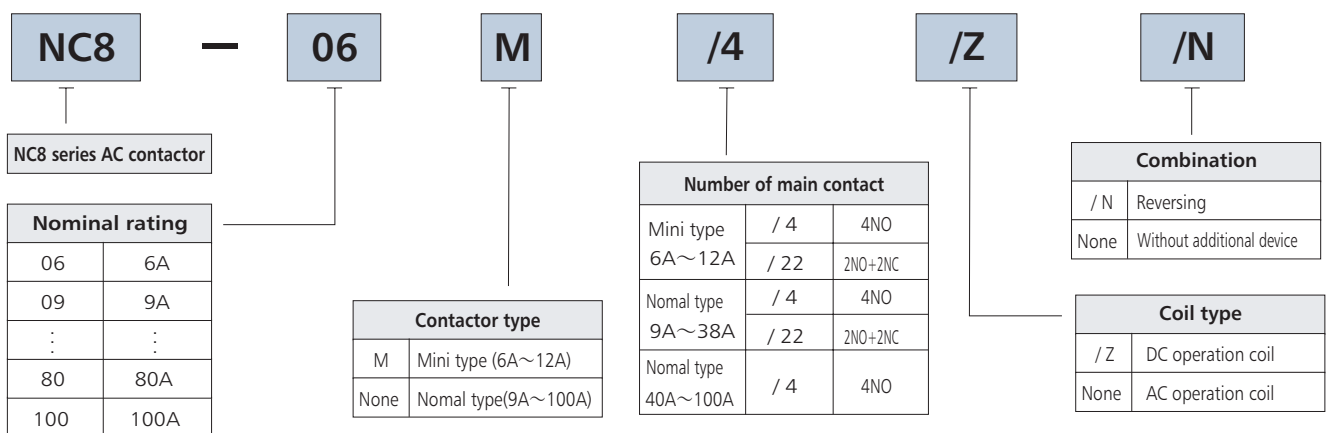


3. Type Designation

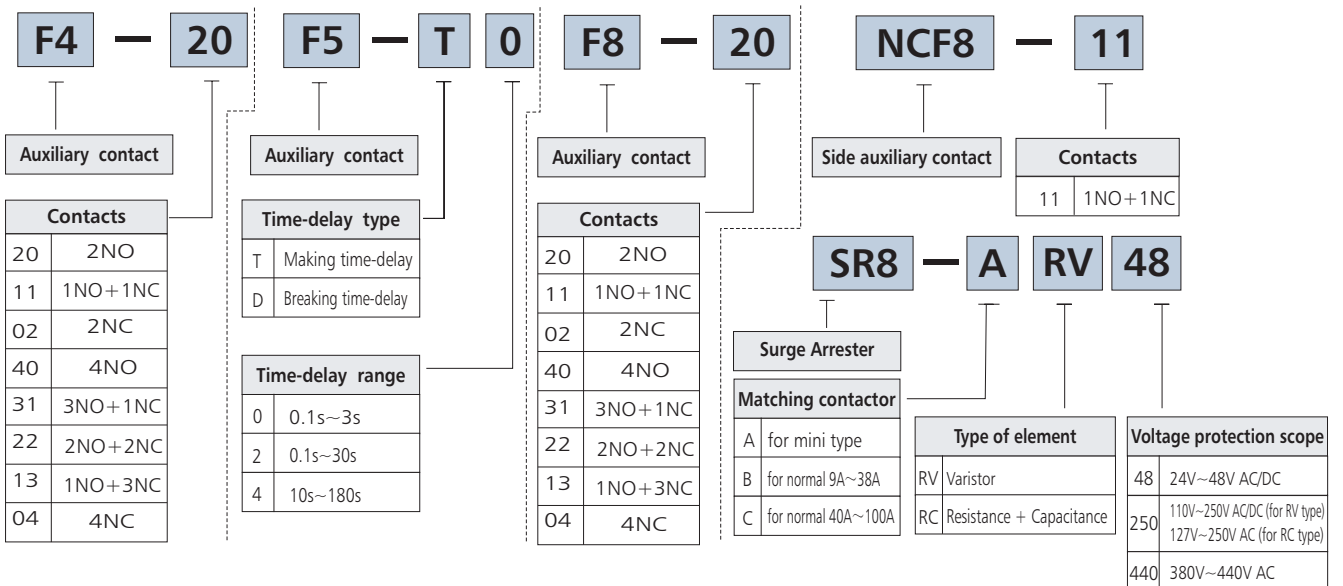
3-pole contactor



4-pole contactors



Accessories



Quick selection table

Frame size	9A	12A	18A	25A	32A	38A
------------	----	-----	-----	-----	-----	-----

3-pole contactors



Auxiliary contacts	1NO+1NC	NC8-09	NC8-12	NC8-18	NC8-25	NC8-32	NC8-38
	2NO+2NC	NC8-09/22	NC8-12/22	NC8-18/22	NC8-25/22	NC8-32/22	NC8-38/22

Ratings/IEC/EN 60974-4-1		kW	A	kW	A	kW	A	kW	A	kW	A	kW	A
AC-1			25		25		32		40		50		50
	220V/230V/240V	2.2	9	4	12	4	18	5.5	25	7.5	32	9	38
AC-3	380V/400V	4	9	5.5	12	7.5	18	11	25	15	32	18.5	38
	415V	4	9	5.5	12	9	18	11	25	15	32	18.5	38
	660V/690V	5.5	6.7	7.5	9	9	10.6	15	17.3	18.5	21.9	18.5	21.9

Ratings/UL508		hp	A	hp	A	hp	A	hp	A	hp	A	hp	A
Continuous current (FLA)			25		25		32		40		50		50
Single phase	110V/120V	0.5		0.75		1		1.5		2		2	
	230V/240V	1		2		3		3		5		5	
Three phases	200V/208V	3		3		5		7.5		10		10	
	230V/240V	3		3		5		7.5		10		10	
	460V/480V	5		7.5		10		15		20		20	
	575V/600V	7.5		10		15		20		25		25	

Accessories



NCF8-11



F4



F5



SR8-B/RC250

See page 07 for more details

Frame size	40A	50A	65A	80A	100A
------------	-----	-----	-----	-----	------

3-pole contactors



Auxiliary contacts	1NO+1NC	NC8-40	NC8-50	NC8-65	NC8-80	NC8-100
--------------------	---------	--------	--------	--------	--------	---------

Ratings/IEC/EN 60974-4-1		kW	A	kW	A	kW	A	kW	A	kW	A
AC-1			60		80		80		125		125
AC-3	220V/230V/240V	11	40	15	50	18.5	65	22	80	25	100
	380V/400V	18.5	40	22	50	30	65	37	80	45	100
	415V	22	40	25	50	37	65	45	80	45	100
	660V/690V	30	34	33	39	37	42	45	49	45	49

Ratings/UL508		hp	A	hp	A	hp	A	hp	A	hp	A
Continuous current (FLA)			60		80		80		125		125
Single phase	110V/120V	3		5		5		7.5		10	
	230V/240V	5		7.5		10		20		20	
Three phases	200V/208V	10		15		20		30		30	
	230V/240V	10		15		20		30		30	
	460V/480V	30		40		50		60		60	
	575V/600V	30		40		50		60		60	

Accessories

See page 08 for more details



NCF8-11



F4



F5



SR8-C/RC440

Frame size	9A	12A	18A	25A	32A	38A
------------	----	-----	-----	-----	-----	-----

4-pole Contactors



Main contacts	4NO	NC8-09/4	NC8-12/4	NC8-18/4	NC8-25/4	NC8-32/4	NC8-38/4
	2NO+2NC	NC8-09/22	NC8-12/22	NC8-18/22	NC8-25/22	NC8-32/22	NC8-38/22

Ratings/IEC/EN 60974-4-1		kW	A	kW	A	kW	A	kW	A	kW	A	kW	A
AC-1			25		25		32		40		50		50
	220V/230V/240V	2.2	9	4	12	4	18	5.5	25	7.5	32	9	38
AC-3	380V/400V	4	9	5.5	12	7.5	18	11	25	15	32	18.5	38
	415V	4	9	5.5	12	9	18	11	25	15	32	18.5	38
	660V/690V	5.5	6.7	7.5	9	9	10.6	15	17.3	18.5	21.9	18.5	21.9

Ratings/UL508		hp	A	hp	A	hp	A	hp	A	hp	A	hp	A
Continuous current (FLA)			25		25		32		40		50		50
Single phase	110V/120V	0.5		0.75		1		1.5		2		2	
	230V/240V	1		2		3		3		5		5	
Three phases	200V/208V	3		3		5		7.5		10		10	
	230V/240V	3		3		5		7.5		10		10	
	460V/480V	5		7.5		10		15		20		20	
	575V/600V	7.5		10		15		20		25		25	

Accessories



See page 07 for more details

NCF8-11

F4

F5

SR8-B/RC250

Frame size	40A	50A	65A	80A	100A
------------	-----	-----	-----	-----	------

4-pole Contactors



Main contacts	4NO	NC8-40/4	NC8-50/4	NC8-65/4	NC8-80/4	NC8-100/4
---------------	-----	----------	----------	----------	----------	-----------

Ratings/IEC/EN 60974-4-1		kW	A	kW	A	kW	A	kW	A	kW	A
AC-1			60		80		80		125		125
AC-3	220V/230V/240V	11	40	15	50	18.5	65	22	80	25	100
	380V/400V	18.5	40	22	50	30	65	37	80	45	100
	415V	22	40	25	50	37	65	45	80	45	100
	660V/690V	30	34	33	39	37	42	45	49	45	49

Ratings/UL508		hp	A	hp	A	hp	A	hp	A	hp	A
Continuous current (FLA)			60		80		80		125		125
Single phase	110V/120V	3		5		5		7.5		10	
	230V/240V	5		7.5		10		20		20	
Three phases	200V/208V	10		15		20		30		30	
	230V/240V	10		15		20		30		30	
	460V/480V	30		40		50		60		60	
	575V/600V	30		40		50		60		60	

Accessories

See page 08 for more details



NCF8-11












F4












F5



SR8-C/RC440

Frame size	9A	12A	18A	25A	32A	38A
Contactors						
	3-pole	4-pole	3-pole	4-pole		
Auxiliary contact block	 F4 4-pole Front mount	Contacts aux		4NO	F4-40	
	 F4 2-pole Ffront mount			3NO+1NC	F4-31	
	2NO+2NC			F4-22		
	1NO+3NC			F4-13		
	4NC			F4-04		
	2NO			F4-20		
	1NO+1NC			F4-11		
	2NC			F4-02		
	 F5 1N/O+1N/C Pneumatic timer	Making time-delay range (s)		0.1~3	F5-T0	
				0.1~30	F5-T2	
				10~180	F5-T4	
		Breaking time-delay range (s)		0.1~3	F5-D0	
				0.1~30	F5-D2	
				10~180	F5-D4	
	 NCF8 2-pole Side mount	Contacts aux		1NO+1NC	NCF8-11	
Surge arrester	 SR8-B/RC250 Surge arrester	Voltage protection scope		AC: 127V~240V	SR8-B/1	
				AC: 240V~400V	SR8-B/2	

Frame size	40A	50A	65A	80A	100A																
Contactors	 3-pole	 4-pole	 3-pole	 4-pole																	
Auxiliary contact block	 F4 4-pole Front mount  F4 2-pole Front mount		Contacts aux <table border="1"> <tr><td>4NO</td><td>F4-40</td></tr> <tr><td>3NO+1NC</td><td>F4-31</td></tr> <tr><td>2NO+2NC</td><td>F4-22</td></tr> <tr><td>1NO+3NC</td><td>F4-13</td></tr> <tr><td>4NC</td><td>F4-04</td></tr> <tr><td>2NO</td><td>F4-20</td></tr> <tr><td>1NO+1NC</td><td>F4-11</td></tr> <tr><td>2NC</td><td>F4-02</td></tr> </table>		4NO	F4-40	3NO+1NC	F4-31	2NO+2NC	F4-22	1NO+3NC	F4-13	4NC	F4-04	2NO	F4-20	1NO+1NC	F4-11	2NC	F4-02	
4NO	F4-40																				
3NO+1NC	F4-31																				
2NO+2NC	F4-22																				
1NO+3NC	F4-13																				
4NC	F4-04																				
2NO	F4-20																				
1NO+1NC	F4-11																				
2NC	F4-02																				
	 F5 1N/O+1N/C Pneumatic timer		<table border="1"> <tr> <td rowspan="3">Making time-delay range (s)</td> <td>0.1~3</td> <td>F5-T0</td> </tr> <tr> <td>0.1~30</td> <td>F5-T2</td> </tr> <tr> <td>10~180</td> <td>F5-T4</td> </tr> <tr> <td rowspan="3">Breaking time-delay range (s)</td> <td>0.1~3</td> <td>F5-D0</td> </tr> <tr> <td>0.1~30</td> <td>F5-D2</td> </tr> <tr> <td>10~180</td> <td>F5-D4</td> </tr> </table>		Making time-delay range (s)	0.1~3	F5-T0	0.1~30	F5-T2	10~180	F5-T4	Breaking time-delay range (s)	0.1~3	F5-D0	0.1~30	F5-D2	10~180	F5-D4			
Making time-delay range (s)	0.1~3	F5-T0																			
	0.1~30	F5-T2																			
	10~180	F5-T4																			
Breaking time-delay range (s)	0.1~3	F5-D0																			
	0.1~30	F5-D2																			
	10~180	F5-D4																			
	 NCF8 2-pole Side mount		<table border="1"> <tr> <td>Contacts aux</td> <td>1NO+1NC</td> <td>NCF8-11</td> </tr> </table>		Contacts aux	1NO+1NC	NCF8-11														
Contacts aux	1NO+1NC	NCF8-11																			
Surge arrester	 SR8-C/RC440 Surge arrester		<table border="1"> <tr> <td rowspan="2">Voltage protection scope</td> <td>AC:127V~240V</td> <td>SR8-C/1</td> </tr> <tr> <td>AC:240V~400V</td> <td>SR8-C/2</td> </tr> </table>		Voltage protection scope	AC:127V~240V	SR8-C/1	AC:240V~400V	SR8-C/2												
Voltage protection scope	AC:127V~240V	SR8-C/1																			
	AC:240V~400V	SR8-C/2																			

380V

★ NQ2-15/1

Applicable range	Order code	CTN
0.1~0.16	511156	6
0.16~0.25	511157	6
0.25~0.4	511158	6
0.4~0.63	511159	6
0.63~1	511160	6
1~1.6	511161	6
1.25~2	511162	6
1.6~2.5	511163	6
2.5~4	511164	6
4~6	511165	6
5.5~8	511166	6
7~10	511167	6
9~13	511168	6

★ NQ2-15N/1

Applicable range	Order code	CTN
0.1~0.16	511173	4
0.16~0.25	511174	4
0.25~0.4	511175	4
0.4~0.63	511176	4
0.63~1	511177	4
1~1.6	511178	4
1.25~2	511179	4
1.6~2.5	511180	4
2.5~4	511181	4
4~6	511182	4
5.5~8	511183	4
7~10	511184	4
9~13	511185	4

★ NQ2-15/2

Applicable range	Order code	CTN
12~18	511169	6

★ NQ2-15/3

Applicable range	Order code	CTN
17~25	511170	6

★ NQ2-15/4

Applicable range	Order code	CTN
23~32	511171	6
28~36	511172	8

★ NQ2-15N/2

Applicable range	Order code	CTN
12~18	511186	4

★ NQ2-15N/3

Applicable range	Order code	CTN
17~25	511187	4

★ NQ2-15N/4

Applicable range	Order code	CTN
23~32	511188	4
28~36	511189	4

★ NQ2-15P/1

Applicable range	Order code	CTN
0.1~0.16	511190	12
0.16~0.25	511191	12
0.25~0.4	511192	12
0.4~0.63	511193	12
0.63~1	511194	12
1~1.6	511195	12
1.25~2	511196	12
1.6~2.5	511197	12
2.5~4	511198	12
4~6	511199	12
5.5~8	511200	12
7~10	511201	12
9~13	511202	12

★ NQ2-15NB/1

Applicable range	Order code	CTN
-	511207	-

★ NQ2-15NB/3

Applicable range	Order code	CTN
-	511209	-

415V

★ NQ2-15/1

Applicable range	Order code	CTN
0.1~0.16	511211	12
0.16~0.25	511212	12
0.25~0.4	511213	12
0.4~0.63	511214	12
0.63~1	511215	12
1~1.6	511216	12
1.25~2	511217	12
1.6~2.5	511218	12
2.5~4	511219	12
4~6	511220	12
5.5~8	511221	12
7~10	511222	12
9~13	511223	12

★ NQ2-15P/2

Applicable range	Order code	CTN
12~18	511203	12

★ NQ2-15P/3

Applicable range	Order code	CTN
17~25	511204	12

★ NQ2-15P/4

Applicable range	Order code	CTN
23~32	511205	12
28~36	511206	12

★ NQ2-15NB/2

Applicable range	Order code	CTN
-	511208	-

★ NQ2-15NB/4

Applicable range	Order code	CTN
-	511210	-

★ NQ2-15/2

Applicable range	Order code	CTN
12~18	511224	12

★ NQ2-15/3

Applicable range	Order code	CTN
17~25	511225	12

★ NQ2-15/4

Applicable range	Order code	CTN
23~32	511226	12
28~36	511227	12

➔ **NQ2 Direct On-line Starter**
220V

★ NQ2-15/1

Applicable range	Order code	CTN
0.1~0.16	511101	6
0.16~0.25	511102	6
0.25~0.4	511103	6
0.4~0.63	511104	6
0.63~1	511105	6
1~1.6	511106	6
1.25~2	511107	6
1.6~2.5	511108	6
2.5~4	511109	6
4~6	511110	6
5.5~8	511111	6
7~10	511112	6
9~13	511113	6

★ NQ2-15N/1

Applicable range	Order code	CTN
0.1~0.16	511118	4
0.16~0.25	511119	4
0.25~0.4	511120	4
0.4~0.63	511121	4
0.63~1	511122	4
1~1.6	511123	4
1.25~2	511124	4
1.6~2.5	511125	4
2.5~4	511126	4
4~6	511127	4
5.5~8	511128	4
7~10	511129	4
9~13	511130	4

★ NQ2-15/2

Applicable range	Order code	CTN
12~18	511114	6

★ NQ2-15/3

Applicable range	Order code	CTN
17~25	511115	6

★ NQ2-15/4

Applicable range	Order code	CTN
23~32	511116	6
28~36	511117	6

★ NQ2-15N/2

Applicable range	Order code	CTN
12~18	511131	6

★ NQ2-15N/3

Applicable range	Order code	CTN
17~25	511132	6

★ NQ2-15N/4

Applicable range	Order code	CTN
23~32	511133	6
28~36	511134	6

★ NQ2-15P/1

Applicable range	Order code	CTN
0.1~0.16	511135	6
0.16~0.25	511136	6
0.25~0.4	511137	6
0.4~0.63	511138	6
0.63~1	511139	6
1~1.6	511140	6
1.25~2	511141	6
1.6~2.5	511142	6
2.5~4	511143	6
4~6	511144	6
5.5~8	511145	6
7~10	511146	6
9~13	511147	6

★ NQ2-15NB/1

Applicable range	Order code	CTN
-	511152	4

★ NQ2-15NB/3

Applicable range	Order code	CTN
-	511154	4

★ NQ2-15P/2

Applicable range	Order code	CTN
12~18	511148	6

★ NQ2-15P/3

Applicable range	Order code	CTN
17~25	511149	6

★ NQ2-15P/4

Applicable range	Order code	CTN
23~32	511150	6
28~36	511151	6

★ NQ2-15NB/2

Applicable range	Order code	CTN
-	511153	4

★ NQ2-15NB/4

Applicable range	Order code	CTN
-	511155	4

★ CJ19, 95A 1N/O+2N/C (12)

Us (V)	CTN	Order Code					
		50Hz		60Hz		50/60Hz	
		Standard	RoHS	Standard	RoHS	Standard	RoHS
24	16	251515	976039	251516	976053	251514	976067
36	16	251518	976040	251519	976054	251517	976068
48	16	251521	976041	251522	976055	251520	976069
110	16	251524	976042	251525	976056	251523	976070
120	16	251527	976043	251528	976057	251526	976071
127	16	251530	976044	251531	976058	251529	976072
220	16	251533	976045	251534	976059	251532	976073
230	16	251536	976046	251537	976060	251535	976074
240	16	251539	976047	251540	976061	251538	976075
380	16	251542	976048	251543	976062	251541	976076
400	16	251545	976049	251546	976063	251544	976077
415	16	251548	976050	251549	976064	251547	976078
440	16	251551	976051	251552	976065	251550	976079
600	16	251554	976052	251555	976066	251553	976080

★ NR2-25

Applicable range	Order code		CTN
	Standard	RoHS	
0.1~0.16	246914	980014	90
0.16~0.25	246915	980015	90
0.25~0.4	246916	980016	90
0.4~0.63	246917	980017	90
0.63~1	246918	980018	90
1~1.6	246919	980019	90
1.25~2	246920	980020	90
1.6~2.5	246921	980021	90
2.5~4	246922	980022	90
4~6	246923	980023	90
5.5~8	246924	980024	90
7~10	246925	980025	90
9~13	246926	980026	90
12~18	246927	980027	90
17~25	246928	980028	90

➔ NR2 Thermal Overload Relay

★ NR2-11.5

Applicable range	Order code		CTN
	Standard	RoHS	
0.1~0.16	246901	980001	100
0.16~0.25	246902	980002	100
0.25~0.4	246903	980003	100
0.4~0.63	246904	980004	100
0.63~1	246905	980005	100
1~1.6	246906	980006	100
1.25~2	246907	980007	100
1.6~2.5	246908	980008	100
2.5~4	246909	980009	100
4~6	246910	980010	100
5.5~8	246911	980011	100
7~10	246912	980012	100
9~13	246913	980013	100

★ NR2-36

Applicable range	Order code		CTN
	Standard	RoHS	
23~32	246929	980029	60
28~36	246930	980030	60

★ NR2-200

Applicable range	Order code		CTN
	Standard	RoHS	
80~125	246938	980038	8
100~160	246939	980039	8
125~200	246940	980040	8

★ NR2-630

Applicable range	Order code		CTN
	Standard	RoHS	
160~250	246941	980041	4
200~315	246942	980042	4
250~400	246943	980043	4
315~500	246944	980044	4
400~630	246945	980045	4

★ NR2-93

Applicable range	Order code		CTN
	Standard	RoHS	
23~32	246931	980031	30
30~40	246932	980032	30
37~50	246933	980033	30
48~65	246934	980034	30
55~70	246935	980035	30
63~80	246936	980036	30
80~93	246937	980037	30

★ Mounting base

Applicable range	Order code		CTN
	Standard	RoHS	
NR2-25	246946	–	120
NR2-36	246947	–	80
NR2-93	246948	–	40

➔ NRE8 Electronic Overload Relay

★ NRE8-25

Applicable range	Order code	CTN
0.6-1.2A	233001	50
1.2-2.4A	233002	50
2-4A	233003	50
4-8A	233004	50
5-10A	233005	50
7-12A	233006	50
10-20A	233007	50
20-25A	233008	50
22-32A	233009	50

★ NRE8-40

Applicable range	Order code	CTN
2-4A	233010	50
4-8A	233011	50
5-10A	233012	50
10-20A	233013	50
20-40A	233014	50

★ NRE8-100

Applicable range	Order code	CTN
30-65A	233015	40
50-100A	233016	40

★ NRE8-200

Applicable range	Order code	CTN
85-120	233017	–
110-160	233018	–
140-200	233019	–

★ NRE8-630

Applicable range	Order code	CTN
170-250	233020	–
215-315	233021	–
275-400	233022	–
340-500	233023	–
430-630	233024	–

★ Mounting base

Applicable range	Order code	CTN
NRE8-25	233025	1
NRE8-40	233026	1

★ CJ19, 32A 1N/O+1N/C (11)

Us (V)	CTN	Order Code					
		50Hz		60Hz		50/60Hz	
		Standard	RoHS	Standard	RoHS	Standard	RoHS
24	40	251170	975703	251171	975717	251169	975731
36	40	251173	975704	251174	975718	251172	975732
48	40	251176	975705	251177	975719	251175	975733
110	40	251179	975706	251180	975720	251178	975734
120	40	251182	975707	251183	975721	251181	975735
127	40	251185	975708	251186	975722	251184	975736
220	40	251188	975709	251189	975723	251187	975737
230	40	251191	975710	251192	975724	251190	975738
240	40	251194	975711	251195	975725	251193	975739
380	40	251197	975712	251198	975726	251196	975740
400	40	251200	975713	251201	975727	251199	975741
415	40	251203	975714	251204	975728	251202	975742
440	40	251206	975715	251207	975729	251205	975743
600	40	251209	975716	251210	975730	251208	975744

★ CJ19, 32A 2N/C (02)

Us (V)	CTN	Order Code					
		50Hz		60Hz		50/60Hz	
		Standard	RoHS	Standard	RoHS	Standard	RoHS
24	40	251212	975745	251213	975759	251211	975773
36	40	251215	975746	251216	975760	251214	975774
48	40	251218	975747	251219	975761	251217	975775
110	40	251221	975748	251222	975762	251220	975776
120	40	251224	975749	251225	975763	251223	975777
127	40	251227	975750	251228	975764	251226	975778
220	40	251230	975751	251231	975765	251229	975779
230	40	251233	975752	251234	975766	251232	975780
240	40	251236	975753	251237	975767	251235	975781
380	40	251239	975754	251240	975768	251238	975782
400	40	251242	975755	251243	975769	251241	975783
415	40	251245	975756	251246	975770	251244	975784
440	40	251248	975757	251249	975771	251247	975785
600	40	251251	975758	251252	975772	251250	975786

★ CJ19, 43A 2N/O (20)

Us (V)	CTN	Order Code					
		50Hz		60Hz		50/60Hz	
		Standard	RoHS	Standard	RoHS	Standard	RoHS
24	40	251254	975787	251255	975801	251253	975815
36	40	251257	975788	251258	975802	251256	975816
48	40	251260	975789	251261	975803	251259	975817
110	40	251263	975790	251264	975804	251262	975818
120	40	251266	975791	251267	975805	251265	975819
127	40	251269	975792	251270	975806	251268	975820
220	40	251272	975793	251273	975807	251271	975821
230	40	251275	975794	251276	975808	251274	975822
240	40	251278	975795	251279	975809	251277	975823
380	40	251281	975796	251282	975810	251280	975824
400	40	251284	975797	251285	975811	251283	975825
415	40	251287	975798	251288	975812	251286	975826
440	40	251290	975799	251291	975813	251289	975827
600	40	251296	975800	251297	975814	251295	975828

★ CJ19, 43A 1N/O+1N/C (11)

Us (V)	CTN	Order Code					
		50Hz		60Hz		50/60Hz	
		Standard	RoHS	Standard	RoHS	Standard	RoHS
24	40	251299	975829	251300	975843	251298	975857
36	40	251302	975830	251303	975844	251301	975858
48	40	251305	975831	251306	975845	251304	975859
110	40	251308	975832	251309	975846	251307	975860
120	40	251311	975833	251312	975847	251310	975861
127	40	251314	975834	251315	975848	251313	975862
220	40	251317	975835	251318	975849	251316	975863
230	40	251320	975836	251321	975850	251319	975864
240	40	251323	975837	251324	975851	251322	975865
380	40	251326	975838	251327	975852	251325	975866
400	40	251329	975839	251330	975853	251328	975867
415	40	251332	975840	251333	975854	251331	975868
440	40	251335	975841	251336	975855	251334	975869
600	40	251338	975842	251339	975856	251337	975870

★ CJ19, 43A 2N/C (02)

Us (V)	CTN	Order Code					
		50Hz		60Hz		50/60Hz	
		Standard	RoHS	Standard	RoHS	Standard	RoHS
24	40	251341	975871	251342	975885	251340	975899
36	40	251344	975872	251345	975886	251343	975900
48	40	251347	975873	251348	975887	251346	975901
110	40	251350	975874	251351	975888	251349	975902
120	40	251353	975875	251354	975889	251352	975903
127	40	251356	975876	251357	975890	251355	975904
220	40	251359	975877	251360	975891	251358	975905
230	40	251362	975878	251363	975892	251361	975906
240	40	251365	975879	251366	975893	251364	975907
380	40	251368	975880	251369	975894	251367	975908
400	40	251371	975881	251372	975895	251370	975909
415	40	251374	975882	251375	975896	251373	975910
440	40	251377	975883	251378	975897	251376	975911
600	40	251383	975884	251384	975898	251382	975912

★ CJ19, 63A 2N/O+1N/C (21)

Us (V)	CTN	Order Code					
		50Hz		60Hz		50/60Hz	
		Standard	RoHS	Standard	RoHS	Standard	RoHS
24	20	251386	975913	251387	975927	251385	975941
36	20	251389	975914	251390	975928	251388	975942
48	20	251392	975915	251393	975929	251391	975943
110	20	251395	975916	251396	975930	251394	975944
120	20	251398	975917	251399	975931	251397	975945
127	20	251401	975918	251402	975932	251400	975946
220	20	251404	975919	251405	975933	251403	975947
230	20	251407	975920	251408	975934	251406	975948
240	20	251410	975921	251411	975935	251409	975949
380	20	251413	975922	251414	975936	251412	975950
400	20	251416	975923	251417	975937	251415	975951
415	20	251419	975924	251420	975938	251418	975952
440	20	251422	975925	251423	975939	251421	975953
600	20	251425	975926	251426	975940	251424	975954

★ CJ19, 63A 1N/O+2N/C (12)

Us (V)	CTN	Order Code					
		50Hz		60Hz		50/60Hz	
		Standard	RoHS	Standard	RoHS	Standard	RoHS
24	20	251428	975955	251429	975969	251427	975983
36	20	251431	975956	251432	975970	251430	975984
48	20	251434	975957	251435	975971	251433	975985
110	20	251437	975958	251438	975972	251436	975986
120	20	251440	975959	251441	975973	251439	975987
127	20	251443	975960	251444	975974	251442	975988
220	20	251446	975961	251447	975975	251445	975989
230	20	251449	975962	251450	975976	251448	975990
240	20	251452	975963	251453	975977	251451	975991
380	20	251455	975964	251456	975978	251454	975992
400	20	251458	975965	251459	975979	251457	975993
415	20	251461	975966	251462	975980	251460	975994
440	20	251464	975967	251465	975981	251463	975995
600	20	251470	975968	251471	975982	251469	975996

★ CJ19, 95A 2N/O+1N/C (21)

Us (V)	CTN	Order Code					
		50Hz		60Hz		50/60Hz	
		Standard	RoHS	Standard	RoHS	Standard	RoHS
24	16	251473	975997	251474	976011	251472	976025
36	16	251476	975998	251477	976012	251475	976026
48	16	251479	975999	251480	976013	251478	976027
110	16	251482	976000	251483	976014	251481	976028
120	16	251485	976001	251486	976015	251484	976029
127	16	251488	976002	251489	976016	251487	976030
220	16	251491	976003	251492	976017	251490	976031
230	16	251494	976004	251495	976018	251493	976032
240	16	251497	976005	251498	976019	251496	976033
380	16	251500	976006	251501	976020	251499	976034
400	16	251503	976007	251504	976021	251502	976035
415	16	251506	976008	251507	976022	251505	976036
440	16	251509	976009	251510	976023	251508	976037
600	16	251512	976010	251513	976024	251511	976038

★ NC2-265

Us (V)	Order code	
	50Hz	60Hz
110	248746	248747
127	248748	248749
220	248750	248751
230	248752	248753
380	248754	248755
415	248756	–
440	–	248757

★ NC2-400

Us (V)	Order code
110	248768
120	248769
127	248770
220	248771
230	248772
240	248773
380	248774
400	248775
415	248776
440	248777

★ NC2-330

Us (V)	Order code
110	248758
120	248759
127	248760
220	248761
230	248762
240	248763
380	248764
400	248765
415	248766
440	248767

★ NC2-500

Us (V)	Order code
110	248778
120	248779
127	248780
220	248781
230	248782
240	248783
380	248784
400	248785
415	248786
440	248787

★ NC2-630

Us (V)	Order code
110	248788
120	248789
127	248790
220	248791
230	248792
240	248793
380	248794
400	248795
415	248796
440	248797

★ NCF6

Number of contact	Order code	CTN
02	248801	250
04	248802	250
11	248803	250
22	248804	250
13	248805	250
20	248806	250
31	248807	250
40	248808	250

→ CJ19 Contactor for Power Factor Correction

★ CJ19, 25A 2N/O (20)

Us (V)	CTN	Order Code					
		50Hz		60Hz		50/60Hz	
		Standard	RoHS	Standard	RoHS	Standard	RoHS
24	40	251002	975535	251003	975549	251001	975563
36	40	251005	975536	251006	975550	251004	975564
48	40	251008	975537	251009	975551	251007	975565
110	40	251011	975538	251012	975552	251010	975566
120	40	251014	975539	251015	975553	251013	975567
127	40	251017	975540	251018	975554	251016	975568
220	40	251020	975541	251021	975555	251019	975569
230	40	251023	975542	251024	975556	251022	975570
240	40	251026	975543	251027	975557	251025	975571
380	40	251028	975544	251029	975558	251030	975572
400	40	251032	975545	251033	975559	251031	975573
415	40	251035	975546	251036	975560	251034	975574
440	40	251038	975547	251039	975561	251037	975575
600	40	251041	975548	251042	975562	251040	975576

★ CJ19, 25A 1N/O+1N/C (11)

Us (V)	CTN	Order Code					
		50Hz		60Hz		50/60Hz	
		Standard	RoHS	Standard	RoHS	Standard	RoHS
24	40	251044	975577	251045	975591	251043	975605
36	40	251047	975578	251048	975592	251046	975606
48	40	251050	975579	251051	975593	251049	975607
110	40	251053	975580	251054	975594	251052	975608
120	40	251056	975581	251057	975595	251055	975609
127	40	251059	975582	251060	975596	251058	975610
220	40	251062	975583	251063	975597	251061	975611
230	40	251065	975584	251071	975598	251064	975612
240	40	251067	975585	251068	975599	251066	975613
380	40	251070	975586	251072	975600	251069	975614
400	40	251074	975587	251075	975601	251073	975615
415	40	251077	975588	251078	975602	251076	975616
440	40	251080	975589	251081	975603	251079	975617
600	40	251083	975590	251084	975604	251082	975618

★ CJ19, 25A 2N/C (02)

Us (V)	CTN	Order Code					
		50Hz		60Hz		50/60Hz	
		Standard	RoHS	Standard	RoHS	Standard	RoHS
24	40	251086	975619	251087	975633	251085	975647
36	40	251089	975620	251090	975634	251088	975648
48	40	251092	975621	251093	975635	251091	975649
110	40	251095	975622	251096	975636	251094	975650
120	40	251098	975623	251099	975637	251097	975651
127	40	251101	975624	251102	975638	251100	975652
220	40	251104	975625	251105	975639	251103	975653
230	40	251107	975626	251108	975640	251106	975654
240	40	251110	975627	251111	975641	251109	975655
380	40	251113	975628	251114	975642	251112	975656
400	40	251116	975629	251117	975643	251115	975657
415	40	251119	975630	251120	975644	251118	975658
440	40	251122	975631	251123	975645	251121	975659
600	40	251125	975632	251126	975646	251124	975660

★ CJ19, 32A 2N/O (20)

Us (V)	CTN	Order Code					
		50Hz		60Hz		50/60Hz	
		Standard	RoHS	Standard	RoHS	Standard	RoHS
24	40	251128	975661	251129	975675	251127	975689
36	40	251131	975662	251132	975676	251130	975690
48	40	251134	975663	251135	975677	251133	975691
110	40	251137	975664	251138	975678	251136	975692
120	40	251140	975665	251141	975679	251139	975693
127	40	251143	975666	251144	975680	251142	975694
220	40	251146	975667	251147	975681	251145	975695
230	40	251149	975668	251150	975682	251148	975696
240	40	251152	975669	251153	975683	251151	975697
380	40	251155	975670	251156	975684	251154	975698
400	40	251158	975671	251159	975685	251157	975699
415	40	251161	975672	251162	975686	251160	975700
440	40	251164	975673	251165	975687	251163	975701
600	40	251167	975674	251168	975688	251166	975702

➔ **Accessories**

★ F4 Auxiliary contact

Number of contact	Order code		CTN
	Standard	RoHS	
11	248501	-	360
02	248502	-	360
20	248503	-	360
22	248504	-	210
13	248505	-	210
31	248506	-	210
04	248507	-	210
40	248508	-	210

★ F5 Air-delay block

Number of contact	Order code		CTN
	Standard	RoHS	
T0	248509	-	120
T2	248510	-	120
T4	248511	-	120
D0	248512	-	120
D2	248513	-	120
D4	248514	-	120

★ NC1 Mechanical interlock

Number of contact	Order code		CTN
	Standard	RoHS	
09~32	248551	-	200
40~65	248552	-	200
80~95	248553	-	200

AC Coil

★ NC1-09~18

Us (V)	Order code		
	50Hz	60Hz	50/60Hz
24	248554	248555	248556
36	248557	-	248558
42	248559	-	248560
48	248561	248562	248563
110	248564	248565	248566
120	-	248567	-
127	248568	248569	248570
220	248571	248572	248573
230	248574	-	248575
240	248576	248577	248578
380	248579	248580	248581
400	248582	-	248583
415	248584	-	248585
440	248586	248587	248588
660	248589	-	248590

★ NC1-25~32

Us (V)	Order code		
	50Hz	60Hz	50/60Hz
24	248591	248592	248593
36	248594	-	248595
42	248596	-	248597
48	248598	248599	248600
110	248601	248602	248603
120	-	248604	-
127	248605	248606	248607
220	248608	248609	248610
230	248611	-	248612
240	248613	248614	248615
380	248616	248617	248618
400	248619	-	248620
415	248621	-	248622
440	248623	248624	248625
500	-	-	248626
660	248627	-	248628

★ NC1-40~95

Us (V)	Order code		
	50Hz	60Hz	50/60Hz
24	248629	248630	248631
36	248632	248633	248634
42	248635	248636	248637
48	248638	248639	248640
110	248641	248642	248643
120	248644	248645	248646
127	248647	248648	248649
220	248650	248651	248652
230	248653	248654	248655
240	248656	248657	248658
380	248659	248660	248661
400	248662	–	248663
415	248664	248665	248666
440	248667	248668	248669
660	248670	248671	248672

★ NC2 Vertical mechanical interlock

Applicable range	Order code
NC2 (FF 115~150)	248705
NC2 (FG 115~150&185~225)	248706
NC2 (FH 115~150&265~330)	248707
NC2 (FK 115~150&400~500)	248708
NC2 (FL 115~150&630)	248709
NC2 (GG 185~225)	248710
NC2 (GH 185~225&265~330)	248711
NC2 (GK 185~225&400~500)	248712
NC2 (GL 185~225&630)	248713
NC2 (HH 265~330)	248714
NC2 (HK 265~330&400~500)	248715
NC2 (HL 265~330&630)	248716
NC2 (KK 400~500)	248717
NC2 (KL 400~500&630)	248718
NC2 (LL 630)	248719

★ NC2 Horizontal mechanical interlock

Applicable range	Order code
NC2-115~150	248701
NC2-185~225	248702
NC2-265~500	248703
NC2-630	248704

AC Coil

★ NC2-115~150

Us (V)	Order code	
	50Hz	60Hz
110	248720	248721
127	248722	248723
220	248724	248725
230	248726	–
240	248727	–
380	248728	248729
415	248730	–
440	248731	248732

★ NC2-185~225

Us (V)	Order code	
	50Hz	60Hz
110	248733	248734
120	248735	–
127	248736	248737
220	248738	248739
230	248740	–
380	248741	248742
415	248743	–
440	248744	248745

★ NCK3, 40A, 1P+1N/C

Us (V)	CTN	Order Code					
		50Hz		60Hz		50/60Hz	
		Standard	RoHS	Standard	RoHS	Standard	RoHS
24	60	249885	981646	249899	981660	249913	981674
36	60	249886	981647	249900	981661	249914	981675
48	60	249887	981648	249901	981662	249915	981676
110	60	249888	981649	249902	981663	249916	981677
120	60	249889	981650	249903	981664	249917	981678
127	60	249890	981651	249904	981665	249918	981679
220	60	249891	981652	249905	981666	249919	981680
230	60	249892	981653	249906	981667	249920	981681
240	60	249893	981654	249907	981668	249921	981682
380	60	249894	981655	249908	981669	249922	981683
400	60	249895	981656	249909	981670	249923	981684
415	60	249896	981657	249910	981671	249924	981685
440	60	249897	981658	249911	981672	249925	981686
600	60	249898	981659	249912	981673	249926	981687

★ NCK3, 40A, 2P

Us (V)	CTN	Order Code					
		50Hz		60Hz		50/60Hz	
		Standard	RoHS	Standard	RoHS	Standard	RoHS
24	60	249927	981688	249941	981702	249955	981716
36	60	249928	981689	249942	981703	249956	981717
48	60	249929	981690	249943	981704	249957	981718
110	60	249930	981691	249944	981705	249958	981719
120	60	249931	981692	249945	981706	249959	981720
127	60	249932	981693	249946	981707	249960	981721
220	60	249933	981694	249947	981708	249961	981722
230	60	249934	981695	249948	981709	249962	981723
240	60	249935	981696	249949	981710	249963	981724
380	60	249936	981697	249950	981711	249964	981725
400	60	249937	981698	249951	981712	249965	981726
415	60	249938	981699	249952	981713	249966	981727
440	60	249939	981700	249953	981714	249967	981728
600	60	249940	981701	249954	981715	249968	981729

★ NCK3, 40A, 3P

Us (V)	CTN	Order Code					
		50Hz		60Hz		50/60Hz	
		Standard	RoHS	Standard	RoHS	Standard	RoHS
24	45	249969	981730	249982	981743	249995	981756
36	45	249970	981731	249983	981744	249996	981757
48	45	249971	981732	249984	981745	249997	981758
110	45	249972	981733	249985	981746	249998	981759
127	45	249973	981734	249986	981747	249999	981760
220	45	249974	981735	249987	981748	249493	981761
230	45	249975	981736	249988	981749	249494	981762
240	45	249976	981737	249989	981750	249495	981763
380	45	249977	981738	249990	981751	249496	981764
400	45	249978	981739	249991	981752	249497	981765
415	45	249979	981740	249992	981753	249498	981766
440	45	249980	981741	249993	981754	249499	981767
600	45	249981	981742	249994	981755	249500	981768

★ NCK3, 50A, 3P

Us (V)	Order Code					
	50Hz		60Hz		50/60Hz	
	Standard	RoHS	Standard	RoHS	Standard	RoHS
24	249201	-	249214	-	249227	-
36	249202	-	249215	-	249228	-
48	249203	-	249216	-	249229	-
110	249204	-	249217	-	249230	-
127	249205	-	249218	-	249231	-
220	249206	-	249219	-	249232	-
230	249207	-	249220	-	249233	-
240	249208	-	249221	-	249234	-
380	249209	-	249222	-	249235	-
400	249210	-	249223	-	249236	-
415	249211	-	249224	-	249237	-
440	249212	-	249225	-	249238	-
600	249213	-	249226	-	249239	-

★ NCK3, 60A, 3P

Us (V)	Order Code					
	50Hz		60Hz		50/60Hz	
	Standard	RoHS	Standard	RoHS	Standard	RoHS
24	249240	-	249253	-	249266	-
36	249241	-	249254	-	249267	-
48	249242	-	249255	-	249268	-
110	249243	-	249256	-	249269	-
127	249244	-	249257	-	249270	-
220	249245	-	249258	-	249271	-
230	249246	-	249259	-	249272	-
240	249247	-	249260	-	249273	-
380	249248	-	249261	-	249274	-
400	249249	-	249262	-	249275	-
415	249250	-	249263	-	249276	-
440	249251	-	249264	-	249277	-
600	249252	-	249265	-	249278	-

★ NCK3, 75A, 3P

Us (V)	Order Code					
	50Hz		60Hz		50/60Hz	
	Standard	RoHS	Standard	RoHS	Standard	RoHS
24	249279	-	249292	-	249305	-
36	249280	-	249293	-	249306	-
48	249281	-	249294	-	249307	-
110	249282	-	249295	-	249308	-
127	249283	-	249296	-	249309	-
220	249284	-	249297	-	249310	-
230	249285	-	249298	-	249311	-
240	249286	-	249299	-	249312	-
380	249287	-	249300	-	249313	-
400	249288	-	249301	-	249314	-
415	249289	-	249302	-	249315	-
440	249290	-	249303	-	249316	-
600	249291	-	249304	-	249317	-

★ NCK3, 90A, 3P

Us (V)	Order Code					
	50Hz		60Hz		50/60Hz	
	Standard	RoHS	Standard	RoHS	Standard	RoHS
24	249318	-	249331	-	249344	-
36	249319	-	249332	-	249345	-
48	249320	-	249333	-	249346	-
110	249321	-	249334	-	249347	-
127	249322	-	249335	-	249348	-
220	249323	-	249336	-	249349	-
230	249324	-	249337	-	249350	-
240	249325	-	249338	-	249351	-
380	249326	-	249339	-	249352	-
400	249327	-	249340	-	249353	-
415	249328	-	249341	-	249354	-
440	249329	-	249342	-	249355	-
600	249330	-	249343	-	249356	-

★ NCK3, 25A, 3P

Us (V)	CTN	Order Code					
		50Hz		60Hz		50/60Hz	
		Standard	RoHS	Standard	RoHS	Standard	RoHS
24	45	249627	981388	249641	981402	249655	981416
36	45	249628	981389	249642	981403	249656	981417
48	45	249629	981390	249643	981404	249657	981418
110	45	249630	981391	249644	981405	249658	981419
120	45	249631	981392	249645	981406	249659	981420
127	45	249632	981393	249646	981407	249660	981421
220	45	249633	981394	249647	981408	249661	981422
230	45	249634	981395	249648	981409	249662	981423
240	45	249635	981396	249649	981410	249663	981424
380	45	249636	981397	249650	981411	249664	981425
400	45	249637	981398	249651	981412	249665	981426
415	45	249638	981399	249652	981413	249666	981427
440	45	249639	981400	249653	981414	249667	981428
600	45	249640	981401	249654	981415	249668	981429

★ NCK3, 32A, 1P

Us (V)	CTN	Order Code					
		50Hz		60Hz		50/60Hz	
		Standard	RoHS	Standard	RoHS	Standard	RoHS
24	60	249399	983881	249413	983895	249427	983909
36	60	249400	983882	249414	983896	249428	983910
48	60	249401	983883	249415	983897	249429	983911
110	60	249402	983884	249416	983898	249430	983912
120	60	249403	983885	249417	983899	249431	983913
127	60	249404	983886	249418	983900	249432	983914
220	60	249405	983887	249419	983901	249433	983915
230	60	249406	983888	249420	983902	249434	983916
240	60	249407	983889	249421	983903	249435	983917
380	60	249408	983890	249422	983904	249436	983918
400	60	249409	983891	249423	983905	249437	983919
415	60	249410	983892	249424	983906	249438	983920
440	60	249411	983893	249425	983907	249439	983921
600	60	249412	983894	249426	983908	249440	983922

★ NCK3, 32A, 1P+Shunt

Us (V)	CTN	Order Code					
		50Hz		60Hz		50/60Hz	
		Standard	RoHS	Standard	RoHS	Standard	RoHS
24	60	249669	981430	249684	981445	249699	981460
36	60	249670	981431	249685	981446	249700	981461
48	60	249671	981432	249686	981447	249701	981462
110	60	249672	981433	249687	981448	249702	981463
120	60	249673	981434	249688	981449	249703	981464
127	60	249674	981435	249689	981450	249704	981465
220	60	249675	981436	249690	981451	249705	981466
230	60	249676	981437	249691	981452	249706	981467
240	60	249677	981438	249692	981453	249707	981468
380	60	249678	981439	249693	981454	249708	981469
400	60	249679	981440	249694	981455	249709	981470
415	60	249680	981441	249695	981456	249710	981471
440	60	249681	981442	249696	981457	249711	981472
460	60	249682	981443	249697	981458	249712	981473
600	60	249683	981444	249698	981459	249713	981474

★ NCK3, 32A, 1P+1N/C

Us (V)	CTN	Order Code					
		50Hz		60Hz		50/60Hz	
		Standard	RoHS	Standard	RoHS	Standard	RoHS
24	60	249714	981475	249728	981489	249742	981503
36	60	249715	981476	249729	981490	249743	981504
48	60	249716	981477	249730	981491	249744	981505
110	60	249717	981478	249731	981492	249745	981506
120	60	249718	981479	249732	981493	249746	981507
127	60	249719	981480	249733	981494	249747	981508
220	60	249720	981481	249734	981495	249748	981509
230	60	249721	981482	249735	981496	249749	981510
240	60	249722	981483	249736	981497	249750	981511
380	60	249723	981484	249737	981498	249751	981512
400	60	249724	981485	249738	981499	249752	981513
415	60	249725	981486	249739	981500	249753	981514
440	60	249726	981487	249740	981501	249754	981515
600	60	249727	981488	249741	981502	249755	981516

★ NCK3, 32A, 2P

Us (V)	CTN	Order Code					
		50Hz		60Hz		50/60Hz	
		Standard	RoHS	Standard	RoHS	Standard	RoHS
24	60	249756	981517	249770	981531	249784	981545
36	60	249757	981518	249771	981532	249785	981546
48	60	249758	981519	249772	981533	249786	981547
110	60	249759	981520	249773	981534	249787	981548
120	60	249760	981521	249774	981535	249788	981549
127	60	249761	981522	249775	981536	249789	981550
220	60	249762	981523	249776	981537	249790	981551
230	60	249763	981524	249777	981538	249791	981552
240	60	249764	981525	249778	981539	249792	981553
380	60	249765	981526	249779	981540	249793	981554
400	60	249766	981527	249780	981541	249794	981555
415	60	249767	981528	249781	981542	249795	981556
440	60	249768	981529	249782	981543	249796	981557
600	60	249769	981530	249783	981544	249797	981558

★ NCK3, 32A, 3P

Us (V)	CTN	Order Code					
		50Hz		60Hz		50/60Hz	
		Standard	RoHS	Standard	RoHS	Standard	RoHS
24	45	249798	981559	249812	981573	249826	981587
36	45	249799	981560	249813	981574	249827	981588
48	45	249800	981561	249814	981575	249828	981589
110	45	249801	981562	249815	981576	249829	981590
120	45	249802	981563	249816	981577	249830	981591
127	45	249803	981564	249817	981578	249831	981592
220	45	249804	981565	249818	981579	249832	981593
230	45	249805	981566	249819	981580	249833	981594
240	45	249806	981567	249820	981581	249834	981595
380	45	249807	981568	249821	981582	249835	981596
400	45	249808	981569	249822	981583	249836	981597
415	45	249809	981570	249823	981584	249837	981598
440	45	249810	981571	249824	981585	249838	981599
600	45	249811	981572	249825	981586	249839	981600

★ NCK3, 40A, 1P

Us (V)	CTN	Order Code					
		50Hz		60Hz		50/60Hz	
		Standard	RoHS	Standard	RoHS	Standard	RoHS
24	60	249441	983923	249455	983937	249469	983951
36	60	249442	983924	249456	983938	249470	983952
48	60	249443	983925	249457	983939	249471	983953
110	60	249444	983926	249458	983940	249472	983954
120	60	249445	983927	249459	983941	249473	983955
127	60	249446	983928	249460	983942	249474	983956
220	60	249447	983929	249461	983943	249475	983957
230	60	249448	983930	249462	983944	249476	983958
240	60	249449	983931	249463	983945	249477	983959
380	60	249450	983932	249464	983946	249478	983960
400	60	249451	983933	249465	983947	249479	983961
415	60	249452	983934	249466	983948	249480	983962
440	60	249453	983935	249467	983949	249481	983963
600	60	249454	983936	249468	983950	249482	983964

★ NCK3, 40A, 1P+Shunt

Us (V)	CTN	Order Code					
		50Hz		60Hz		50/60Hz	
		Standard	RoHS	Standard	RoHS	Standard	RoHS
24	60	249840	981601	249855	981616	249870	981631
36	60	249841	981602	249856	981617	249871	981632
48	60	249842	981603	249857	981618	249872	981633
110	60	249843	981604	249858	981619	249873	981634
120	60	249844	981605	249859	981620	249874	981635
127	60	249845	981606	249860	981621	249875	981636
220	60	249846	981607	249861	981622	249876	981637
230	60	249847	981608	249862	981623	249877	981638
240	60	249848	981609	249863	981624	249878	981639
380	60	249849	981610	249864	981625	249879	981640
400	60	249850	981611	249865	981626	249880	981641
415	60	249851	981612	249866	981627	249881	981642
440	60	249852	981613	249867	981628	249882	981643
460	60	249853	981614	249868	981629	249883	981644
600	60	249854	981615	249869	981630	249884	981645

★ NC6, 9A, main 2N/O+2N/C (08)

Us (V)	CTN	Order Code					
		50Hz		60Hz		50/60Hz	
		Standard	RoHS	Standard	RoHS	Standard	RoHS
24	100	247199	972933	247210	972944	247221	972955
36	100	247200	972934	247211	972945	247222	972956
48	100	247201	972935	247212	972946	247223	972957
110	100	247202	972936	247213	972947	247224	972958
127	100	247203	972937	247214	972948	247225	972959
220	100	247204	972938	247215	972949	247226	972960
230	100	247205	972939	247216	972950	247227	972961
240	100	247206	972940	247217	972951	247228	972962
380	100	247207	972941	247218	972952	247229	972963
400	100	247208	972942	247219	972953	247230	972964
415	100	247209	972943	247220	972954	247231	972965

★ NC6, 9A, main 3N/O+Aux 1N/O (10)

Us (V)	CTN	Order Code					
		50Hz		60Hz		50/60Hz	
		Standard	RoHS	Standard	RoHS	Standard	RoHS
24	100	247232	972966	247243	972977	247254	972988
36	100	247233	972967	247244	972978	247255	972989
48	100	247234	972968	247245	972979	247256	972990
110	100	247235	972969	247246	972980	247257	972991
127	100	247236	972970	247247	972981	247258	972992
220	100	247237	972971	247248	972982	247259	972993
230	100	247238	972972	247249	972983	247260	972994
240	100	247239	972973	247250	972984	247261	972995
380	100	247240	972974	247251	972985	247262	972996
400	100	247241	972975	247252	972986	247263	972997
415	100	247242	972976	247253	972987	247264	972998

➔ **NC9 Vacuum Contactor**

★ NC9, 160A, 3P

Us (V)	CTN	Order Code			
		50Hz		60Hz	
		Standard	RoHS	Standard	RoHS
36	2	248001	981769		981774
110	2	248002	981770		981775
220	2	248003	981771	248006	981776
230	2	248004	981772		981777
380	2	248005	981773	248007	981778

★ NC9, 250A, 3P

Us (V)	CTN	Order Code			
		50Hz		60Hz	
		Standard	RoHS	Standard	RoHS
36	2	248008	981779		981784
110	2	248009	981780		981785
220	2	248010	981781	248013	981786
230	2	248011	981782		981787
380	2	248012	981783	248014	981788

★ NC9, 400A, 3P

Us (V)	CTN	Order Code			
		50Hz		60Hz	
		Standard	RoHS	Standard	RoHS
36	1	248015	981789		981794
110	1	248016	981790		981795
220	1	248017	981791	248020	981796
230	1	248018	981792		981797
380	1	248019	981793	248021	981798

★ NC9, 630A, 3P

Us (V)	CTN	Order Code			
		50Hz		60Hz	
		Standard	RoHS	Standard	RoHS
36	1	248022	981799		981804
110	1	248023	981800		981805
220	1	248024	981801	248027	981806
230	1	248025	981802		981807
380	1	248026	981803	248028	981808

★ NC9, 800A, 3P

Us (V)	CTN	Order Code			
		50Hz		60Hz	
		Standard	RoHS	Standard	RoHS
110	1	248029	981809		981813
220	1	248030	981810	248033	981814
230	1	248031	981811		981815
380	1	248032	981812	248034	981816

★ NC9, 1000A, 3P

Us (V)	CTN	Order Code			
		50Hz		60Hz	
		Standard	RoHS	Standard	RoHS
110	1	248035	981817		981821
220	1	248036	981818	248039	981822
230	1	248037	981819		981823
380	1	248038	981820	248040	981824

➔ NCK3 Definite Purpose Contactor

★ NCK3, 25A, 1P

Us (V)	CTN	Order Code					
		50Hz		60Hz		50/60Hz	
		Standard	RoHS	Standard	RoHS	Standard	RoHS
24	60	249357	983839	249371	983853	249385	983867
36	60	249358	983840	249372	983854	249386	983868
48	60	249359	983841	249373	983855	249387	983869
110	60	249360	983842	249374	983856	249388	983870
120	60	249361	983843	249375	983857	249389	983871
127	60	249362	983844	249376	983858	249390	983872
220	60	249363	983845	249377	983859	249391	983873
230	60	249364	983846	249378	983860	249392	983874
240	60	249365	983847	249379	983861	249393	983875
380	60	249366	983848	249380	983862	249394	983876
400	60	249367	983849	249381	983863	249395	983877
415	60	249368	983850	249382	983864	249396	983878
440	60	249369	983851	249383	983865	249397	983879
600	60	249370	983852	249384	983866	249398	983880

★ NCK3, 25A, 1P+Shunt

Us (V)	CTN	Order Code					
		50Hz		60Hz		50/60Hz	
		Standard	RoHS	Standard	RoHS	Standard	RoHS
24	60	249501	981262	249515	981276	249529	981290
36	60	249502	981263	249516	981277	249530	981291
48	60	249503	981264	249517	981278	249531	981292
110	60	249504	981265	249518	981279	249532	981293
120	60	249505	981266	249519	981280	249533	981294
127	60	249506	981267	249520	981281	249534	981295
220	60	249507	981268	249521	981282	249535	981296
230	60	249508	981269	249522	981283	249536	981297
240	60	249509	981270	249523	981284	249537	981298
380	60	249510	981271	249524	981285	249538	981299
400	60	249511	981272	249525	981286	249539	981300
415	60	249512	981273	249526	981287	249540	981301
440	60	249513	981274	249527	981288	249541	981302
600	60	249514	981275	249528	981289	249542	981303

★ NCK3, 25A, 1P+1N/C

Us (V)	CTN	Order Code					
		50Hz		60Hz		50/60Hz	
		Standard	RoHS	Standard	RoHS	Standard	RoHS
24	60	249543	981304	249557	981318	249571	981332
36	60	249544	981305	249558	981319	249572	981333
48	60	249545	981306	249559	981320	249573	981334
110	60	249546	981307	249560	981321	249574	981335
120	60	249547	981308	249561	981322	249575	981336
127	60	249548	981309	249562	981323	249576	981337
220	60	249549	981310	249563	981324	249577	981338
230	60	249550	981311	249564	981325	249578	981339
240	60	249551	981312	249565	981326	249579	981340
380	60	249552	981313	249566	981327	249580	981341
400	60	249553	981314	249567	981328	249581	981342
415	60	249554	981315	249568	981329	249582	981343
440	60	249555	981316	249569	981330	249583	981344
600	60	249556	981317	249570	981331	249584	981345

★ NCK3, 25A, 2P

Us (V)	CTN	Order Code					
		50Hz		60Hz		50/60Hz	
		Standard	RoHS	Standard	RoHS	Standard	RoHS
24	60	249585	981346	249599	981360	249613	981374
36	60	249586	981347	249600	981361	249614	981375
48	60	249587	981348	249601	981362	249615	981376
110	60	249588	981349	249602	981363	249616	981377
120	60	249589	981350	249603	981364	249617	981378
127	60	249590	981351	249604	981365	249618	981379
220	60	249591	981352	249605	981366	249619	981380
230	60	249592	981353	249606	981367	249620	981381
240	60	249593	981354	249607	981368	249621	981382
380	60	249594	981355	249608	981369	249622	981383
400	60	249595	981356	249609	981370	249623	981384
415	60	249596	981357	249610	981371	249624	981385
440	60	249597	981358	249611	981372	249625	981386
600	60	249598	981359	249612	981373	249626	981387

★ NC2-N, 400A, 3P

Us (V)	CTN	Order Code					
		50Hz		60Hz		50/60Hz	
		Standard	RoHS	Standard	RoHS	Standard	RoHS
110	1	246249	981046	246257	981054	246265	981062
127	1	246250	981047	246258	981055	246266	981063
220	1	246251	981048	246259	981056	246267	981064
230	1	246252	981049	246260	981057	246268	981065
240	1	246253	981050	246261	981058	246269	981066
380	1	246254	981051	246262	981059	246270	981067
400	1	246255	981052	246263	981060	246271	981068
415	1	246256	981053	246264	981061	246272	981069

★ NC2-N, 400A, 4P

Us (V)	CTN	Order Code					
		50Hz		60Hz		50/60Hz	
		Standard	RoHS	Standard	RoHS	Standard	RoHS
110	1	246273	981070	246281	981078	246289	981086
127	1	246274	981071	246282	981079	246290	981087
220	1	246275	981072	246283	981080	246291	981088
230	1	246276	981073	246284	981081	246292	981089
240	1	246277	981074	246285	981082	246293	981090
380	1	246278	981075	246286	981083	246294	981091
400	1	246279	981076	246287	981084	246295	981092
415	1	246280	981077	246288	981085	246296	981093

★ NC2-N, 500A, 3P

Us (V)	CTN	Order Code					
		50Hz		60Hz		50/60Hz	
		Standard	RoHS	Standard	RoHS	Standard	RoHS
110	1	246297	981094	246305	981102	246313	981110
127	1	246298	981095	246306	981103	246314	981111
220	1	246299	981096	246307	981104	246315	981112
230	1	246300	981097	246308	981105	246316	981113
240	1	246301	981098	246309	981106	246317	981114
380	1	246302	981099	246310	981107	246318	981115
400	1	246303	981100	246311	981108	246319	981116
415	1	246304	981101	246312	981109	246320	981117

★ NC2-N, 630A, 3P

Us (V)	CTN	Order Code					
		50Hz		60Hz		50/60Hz	
		Standard	RoHS	Standard	RoHS	Standard	RoHS
110	1	246321	981118	246329	981126	246337	981134
127	1	246322	981119	246330	981127	246338	981135
220	1	246323	981120	246331	981128	246339	981136
230	1	246324	981121	246332	981129	246340	981137
240	1	246325	981122	246333	981130	246341	981138
380	1	246326	981123	246334	981131	246342	981139
400	1	246327	981124	246335	981132	246343	981140
415	1	246328	981125	246336	981133	246344	981141

★ NC2-N, 630A, 4P

Us (V)	CTN	Order Code					
		50Hz		60Hz		50/60Hz	
		Standard	RoHS	Standard	RoHS	Standard	RoHS
110	1	246345	981142	246353	981150	246361	981158
127	1	246346	981143	246354	981151	246362	981159
220	1	246347	981144	246355	981152	246363	981160
230	1	246348	981145	246356	981153	246364	981161
240	1	246349	981146	246357	981154	246365	981162
380	1	246350	981147	246358	981155	246366	981163
400	1	246351	981148	246359	981156	246367	981164
415	1	246352	981149	246360	981157	246368	981165

→ NC6 Contactor

★ NC6, 6A, main 3N/O+Aux 1N/C (01)

Us (V)	CTN	Order Code					
		50Hz		60Hz		50/60Hz	
		Standard	RoHS	Standard	RoHS	Standard	RoHS
24	100	247001	972735	247012	972746	247023	972757
36	100	247002	972736	247013	972747	247024	972758
48	100	247003	972737	247014	972748	247025	972759
110	100	247004	972738	247015	972749	247026	972760
127	100	247005	972739	247016	972750	247027	972761
220	100	247006	972740	247017	972751	247028	972762
230	100	247007	972741	247018	972752	247029	972763
240	100	247008	972742	247019	972753	247030	972764
380	100	247009	972743	247020	972754	247031	972765
400	100	247010	972744	247021	972755	247032	972766
415	100	247011	972745	247022	972756	247033	972767

★ NC6, 6A, main 4N/O (04)

Us (V)	CTN	Order Code					
		50Hz		60Hz		50/60Hz	
		Standard	RoHS	Standard	RoHS	Standard	RoHS
24	100	247034	972768	247045	972779	247056	972790
36	100	247035	972769	247046	972780	247057	972791
48	100	247036	972770	247047	972781	247058	972792
110	100	247037	972771	247048	972782	247059	972793
127	100	247038	972772	247049	972783	247060	972794
220	100	247039	972773	247050	972784	247061	972795
230	100	247040	972774	247051	972785	247062	972796
240	100	247041	972775	247052	972786	247063	972797
380	100	247042	972776	247053	972787	247064	972798
400	100	247043	972777	247054	972788	247065	972799
415	100	247044	972778	247055	972789	247066	972800

★ NC6, 6A, main 2N/O+2N/C (08)

Us (V)	CTN	Order Code					
		50Hz		60Hz		50/60Hz	
		Standard	RoHS	Standard	RoHS	Standard	RoHS
24	100	247067	972801	247078	972812	247089	972823
36	100	247068	972802	247079	972813	247090	972824
48	100	247069	972803	247080	972814	247091	972825
110	100	247070	972804	247081	972815	247092	972826
127	100	247071	972805	247082	972816	247093	972827
220	100	247072	972806	247083	972817	247094	972828
230	100	247073	972807	247084	972818	247095	972829
240	100	247074	972808	247085	972819	247096	972830
380	100	247075	972809	247086	972820	247097	972831
400	100	247076	972810	247087	972821	247098	972832
415	100	247077	972811	247088	972822	247099	972833

★ NC6, 6A, main 3N/O+Aux 1N/O (10)

Us (V)	CTN	Order Code					
		50Hz		60Hz		50/60Hz	
		Standard	RoHS	Standard	RoHS	Standard	RoHS
24	100	247100	972834	247111	972845	247122	972856
36	100	247101	972835	247112	972846	247123	972857
48	100	247102	972836	247113	972847	247124	972858
110	100	247103	972837	247114	972848	247125	972859
127	100	247104	972838	247115	972849	247126	972860
220	100	247105	972839	247116	972850	247127	972861
230	100	247106	972840	247117	972851	247128	972862
240	100	247107	972841	247118	972852	247129	972863
380	100	247108	972842	247119	972853	247130	972864
400	100	247109	972843	247120	972854	247131	972865
415	100	247110	972844	247121	972855	247132	972866

★ NC6, 9A, main 3N/O+Aux 1N/C (01)

Us (V)	CTN	Order Code					
		50Hz		60Hz		50/60Hz	
		Standard	RoHS	Standard	RoHS	Standard	RoHS
24	100	247133	972867	247144	972878	247155	972889
36	100	247134	972868	247145	972879	247156	972890
48	100	247135	972869	247146	972880	247157	972891
110	100	247136	972870	247147	972881	247158	972892
127	100	247137	972871	247148	972882	247159	972893
220	100	247138	972872	247149	972883	247160	972894
230	100	247139	972873	247150	972884	247161	972895
240	100	247140	972874	247151	972885	247162	972896
380	100	247141	972875	247152	972886	247163	972897
400	100	247142	972876	247153	972887	247164	972898
415	100	247143	972877	247154	972888	247165	972899

★ NC6, 9A, main 4N/O (04)

Us (V)	CTN	Order Code					
		50Hz		60Hz		50/60Hz	
		Standard	RoHS	Standard	RoHS	Standard	RoHS
24	100	247166	972900	247177	972911	247188	972922
36	100	247167	972901	247178	972912	247189	972923
48	100	247168	972902	247179	972913	247190	972924
110	100	247169	972903	247180	972914	247191	972925
127	100	247170	972904	247181	972915	247192	972926
220	100	247171	972905	247182	972916	247193	972927
230	100	247172	972906	247183	972917	247194	972928
240	100	247173	972907	247184	972918	247195	972929
380	100	247174	972908	247185	972919	247196	972930
400	100	247175	972909	247186	972920	247197	972931
415	100	247176	972910	247187	972921	247198	972932

➔ **NC2-N Contactor, Reversing & change-over type**

★ NC2-N, 115A, 3P

Us (V)	CTN	Order Code					
		50Hz		60Hz		50/60Hz	
		Standard	RoHS	Standard	RoHS	Standard	RoHS
110	1	246001	980698	246011	980708	246369	980718
127	1	246002	980699	246012	980709	246370	980719
220	1	246003	980700	246013	980710	246371	980720
230	1	246004	980701	246014	980711	246372	980721
240	1	246005	980702	246015	980712	246373	980722
380	1	246006	980703	246016	980713	246374	980723
400	1	246007	980704	246017	980714	246375	980724
415	1	246008	980705	246018	980715	246376	980725
440	1	246009	980706	246019	980716	246377	980726
660	1	246010	980707	246020	980717	246378	980727

★ NC2-N, 115A, 4P

Us (V)	CTN	Order Code					
		50Hz		60Hz		50/60Hz	
		Standard	RoHS	Standard	RoHS	Standard	RoHS
110	1	246021	980728	246031	980738	246379	980748
127	1	246022	980729	246032	980739	246380	980749
220	1	246023	980730	246033	980740	246381	980750
230	1	246024	980731	246034	980741	246382	980751
240	1	246025	980732	246035	980742	246383	980752
380	1	246026	980733	246036	980743	246384	980753
400	1	246027	980734	246037	980744	246385	980754
415	1	246028	980735	246038	980745	246386	980755
440	1	246029	980736	246039	980746	246387	980756
660	1	246030	980737	246040	980747	246388	980757

★ NC2-N, 150A, 3P

Us (V)	CTN	Order Code					
		50Hz		60Hz		50/60Hz	
		Standard	RoHS	Standard	RoHS	Standard	RoHS
110	1	246041	980758	246051	980768	246389	980778
127	1	246042	980759	246052	980769	246390	980779
220	1	246043	980760	246053	980770	246391	980780
230	1	246044	980761	246054	980771	246392	980781
240	1	246045	980762	246055	980772	246393	980782
380	1	246046	980763	246056	980773	246394	980783
400	1	246047	980764	246057	980774	246395	980784
415	1	246048	980765	246058	980775	246396	980785
440	1	246049	980766	246059	980776	246397	980786
660	1	246050	980767	246060	980777	246398	980787

★ NC2-N, 150A, 4P

Us (V)	CTN	Order Code					
		50Hz		60Hz		50/60Hz	
		Standard	RoHS	Standard	RoHS	Standard	RoHS
110	1	246061	980788	246071	980798	246399	980808
127	1	246062	980789	246072	980799	246400	980809
220	1	246063	980790	246073	980800	246401	980810
230	1	246064	980791	246074	980801	246402	980811
240	1	246065	980792	246075	980802	246403	980812
380	1	246066	980793	246076	980803	246404	980813
400	1	246067	980794	246077	980804	246405	980814
415	1	246068	980795	246078	980805	246406	980815
440	1	246069	980796	246079	980806	246407	980816
660	1	246070	980797	246080	980807	246408	980817

★ NC2-N, 185A, 3P

Us (V)	CTN	Order Code					
		50Hz		60Hz		50/60Hz	
		Standard	RoHS	Standard	RoHS	Standard	RoHS
110	1	246081	980818	246091	980828	246409	980838
127	1	246082	980819	246092	980829	246410	980839
220	1	246083	980820	246093	980830	246411	980840
230	1	246084	980821	246094	980831	246412	980841
240	1	246085	980822	246095	980832	246413	980842
380	1	246086	980823	246096	980833	246414	980843
400	1	246087	980824	246097	980834	246415	980844
415	1	246088	980825	246098	980835	246416	980845
440	1	246089	980826	246099	980836	246417	980846
660	1	246090	980827	246100	980837	246418	980847

★ NC2-N, 185A, 4P

Us (V)	CTN	Order Code					
		50Hz		60Hz		50/60Hz	
		Standard	RoHS	Standard	RoHS	Standard	RoHS
110	1	246101	980848	246111	980858	246419	980868
127	1	246102	980849	246112	980859	246420	980869
220	1	246103	980850	246113	980860	246421	980870
230	1	246104	980851	246114	980861	246422	980871
240	1	246105	980852	246115	980862	246423	980872
380	1	246106	980853	246116	980863	246424	980873
400	1	246107	980854	246117	980864	246425	980874
415	1	246108	980855	246118	980865	246426	980875
440	1	246109	980856	246119	980866	246427	980876
660	1	246110	980857	246120	980867	246428	980877

★ NC2-N, 225A, 3P

Us (V)	CTN	Order Code					
		50Hz		60Hz		50/60Hz	
		Standard	RoHS	Standard	RoHS	Standard	RoHS
110	1	246121	980878	246131	980888	246429	980898
127	1	246122	980879	246132	980889	246430	980899
220	1	246123	980880	246133	980890	246431	980900
230	1	246124	980881	246134	980891	246432	980901
240	1	246125	980882	246135	980892	246433	980902
380	1	246126	980883	246136	980893	246434	980903
400	1	246127	980884	246137	980894	246435	980904
415	1	246128	980885	246138	980895	246436	980905
440	1	246129	980886	246139	980896	246437	980906
660	1	246130	980887	246140	980897	246438	980907

★ NC2-N, 225A, 4P

Us (V)	CTN	Order Code					
		50Hz		60Hz		50/60Hz	
		Standard	RoHS	Standard	RoHS	Standard	RoHS
110	1	246141	980908	246151	980918	246439	980928
127	1	246142	980909	246152	980919	246440	980929
220	1	246143	980910	246153	980920	246441	980930
230	1	246144	980911	246154	980921	246442	980931
240	1	246145	980912	246155	980922	246443	980932
380	1	246146	980913	246156	980923	246444	980933
400	1	246147	980914	246157	980924	246445	980934
415	1	246148	980915	246158	980925	246446	980935
440	1	246149	980916	246159	980926	246447	980936
660	1	246150	980917	246160	980927	246448	980937

★ NC2-N, 265A, 3P

Us (V)	CTN	Order Code					
		50Hz		60Hz		50/60Hz	
		Standard	RoHS	Standard	RoHS	Standard	RoHS
110	1	246161	980938	246171	980948	246449	980958
127	1	246162	980939	246172	980949	246450	980959
220	1	246163	980940	246173	980950	246451	980960
230	1	246164	980941	246174	980951	246452	980961
240	1	246165	980942	246175	980952	246453	980962
380	1	246166	980943	246176	980953	246454	980963
400	1	246167	980944	246177	980954	246455	980964
415	1	246168	980945	246178	980955	246456	980965
440	1	246169	980946	246179	980956	246457	980966
660	1	246170	980947	246180	980957	246458	980967

★ NC2-N, 265A, 4P

Us (V)	CTN	Order Code					
		50Hz		60Hz		50/60Hz	
		Standard	RoHS	Standard	RoHS	Standard	RoHS
110	1	246181	980968	246191	980978	246459	980988
127	1	246182	980969	246192	980979	246460	980989
220	1	246183	980970	246193	980980	246461	980990
230	1	246184	980971	246194	980981	246462	980991
240	1	246185	980972	246195	980982	246463	980992
380	1	246186	980973	246196	980983	246464	980993
400	1	246187	980974	246197	980984	246465	980994
415	1	246188	980975	246198	980985	246466	980995
440	1	246189	980976	246199	980986	246467	980996
660	1	246190	980977	246200	980987	246468	980997

★ NC2-N, 330A, 3P

Us (V)	CTN	Order Code					
		50Hz		60Hz		50/60Hz	
		Standard	RoHS	Standard	RoHS	Standard	RoHS
110	1	246201	980998	246209	981006	246217	981014
127	1	246202	980999	246210	981007	246218	981015
220	1	246203	981000	246211	981008	246219	981016
230	1	246204	981001	246212	981009	246220	981017
240	1	246205	981002	246213	981010	246221	981018
380	1	246206	981003	246214	981011	246222	981019
400	1	246207	981004	246215	981012	246223	981020
415	1	246208	981005	246216	981013	246224	981021

★ NC2-N, 330A, 4P

Us (V)	CTN	Order Code					
		50Hz		60Hz		50/60Hz	
		Standard	RoHS	Standard	RoHS	Standard	RoHS
110	1	246225	981022	246233	981030	246241	981038
127	1	246226	981023	246234	981031	246242	981039
220	1	246227	981024	246235	981032	246243	981040
230	1	246228	981025	246236	981033	246244	981041
240	1	246229	981026	246237	981034	246245	981042
380	1	246230	981027	246238	981035	246246	981043
400	1	246231	981028	246239	981036	246247	981044
415	1	246232	981029	246240	981037	246248	981045

★ NC2, 265A, 3P

Us (V)	CTN	Order Code					
		50Hz		60Hz		50/60Hz	
		Standard	RoHS	Standard	RoHS	Standard	RoHS
110	2	245178	980437	245189	980449	245497	980461
120	2	245179	980438	245190	980450	245498	980462
127	2	245180	980439	245191	980451	245499	980463
220	2	245181	980440	245192	980452	245500	980464
230	2	245182	980441	245193	980453	245501	980465
240	2	245183	980442	245194	980454	245502	980466
380	2	245184	980443	245195	980455	245503	980467
400	2	245185	980444	245196	980456	245504	980468
415	2	245186	980445	245197	980457	245505	980469
440	2	245187	980446	245198	980458	245506	980470
500	2		980447		980459	245507	980471
660	2	245188	980448	245199	980460	245508	980472

★ NC2, 265A, 4P

Us (V)	CTN	Order Code					
		50Hz		60Hz		50/60Hz	
		Standard	RoHS	Standard	RoHS	Standard	RoHS
110	2	245200	980473	245211	980485	245509	980497
120	2		980474		980486	245510	980498
127	2	245201	980475	245212	980487	245511	980499
220	2	245202	980476	245213	980488	245512	980500
230	2	245203	980477	245214	980489	245513	980501
240	2	245204	980478	245215	980490	245514	980502
380	2	245205	980479	245216	980491	245515	980503
400	2	245206	980480	245217	980492	245516	980504
415	2	245207	980481	245218	980493	245517	980505
440	2	245208	980482	245219	980494	245518	980506
500	2	245209	980483	245220	980495	245519	980507
660	2	245210	980484	245221	980496	245520	980508

★ NC2, 330A, 3P

Us (V)	CTN	Order Code					
		50Hz		60Hz		50/60Hz	
		Standard	RoHS	Standard	RoHS	Standard	RoHS
110	1	245222	980509	245231	980518	245240	980527
120	1	245223	980510	245232	980519	245241	980528
127	1	245224	980511	245233	980520	245242	980529
220	1	245225	980512	245234	980521	245243	980530
230	1	245226	980513	245235	980522	245244	980531
240	1	245227	980514	245236	980523	245245	980532
380	1	245228	980515	245237	980524	245246	980533
400	1	245229	980516	245238	980525	245247	980534
415	1	245230	980517	245239	980526	245248	980535

★ NC2, 330A, 4P

Us (V)	CTN	Order Code					
		50Hz		60Hz		50/60Hz	
		Standard	RoHS	Standard	RoHS	Standard	RoHS
110	1	245249	980536	245257	980545	245265	980554
120	1		980537		980546		980555
127	1	245250	980538	245258	980547	245266	980556
220	1	245251	980539	245259	980548	245267	980557
230	1	245252	980540	245260	980549	245268	980558
240	1	245253	980541	245261	980550	245269	980559
380	1	245254	980542	245262	980551	245270	980560
400	1	245255	980543	245263	980552	245271	980561
415	1	245256	980544	245264	980553	245272	980562

★ NC2, 400A, 3P

Us (V)	CTN	Order Code					
		50Hz		60Hz		50/60Hz	
		Standard	RoHS	Standard	RoHS	Standard	RoHS
110	1	245273	980563	245282	980572	245291	980581
120	1	245274	980564	245283	980573	245292	980582
127	1	245275	980565	245284	980574	245293	980583
220	1	245276	980566	245285	980575	245294	980584
230	1	245277	980567	245286	980576	245295	980585
240	1	245278	980568	245287	980577	245296	980586
380	1	245279	980569	245288	980578	245297	980587
400	1	245280	980570	245289	980579	245298	980588
415	1	245281	980571	245290	980580	245299	980589

★ NC2, 400A, 4P

Us (V)	CTN	Order Code					
		50Hz		60Hz		50/60Hz	
		Standard	RoHS	Standard	RoHS	Standard	RoHS
110	1	245300	980590	245308	980599	245316	980608
120	1		980591		980600		980609
127	1	245301	980592	245309	980601	245317	980610
220	1	245302	980593	245310	980602	245318	980611
230	1	245303	980594	245311	980603	245319	980612
240	1	245304	980595	245312	980604	245320	980613
380	1	245305	980596	245313	980605	245321	980614
400	1	245306	980597	245314	980606	245322	980615
415	1	245307	980598	245315	980607	245323	980616

★ NC2, 500A, 3P

Us (V)	CTN	Order Code					
		50Hz		60Hz		50/60Hz	
		Standard	RoHS	Standard	RoHS	Standard	RoHS
110	1	245324	980617	245333	980626	245341	980635
120	1	245325	980618	245334	980627	245342	980636
127	1	245326	980619	245335	980628	245343	980637
220	1	245327	980620	245336	980629	245344	980638
230	1	245328	980621		980630	245345	980639
240	1	245329	980622	245337	980631	245346	980640
380	1	245330	980623	245338	980632	245347	980641
400	1	245331	980624	245339	980633	245348	980642
415	1	245332	980625	245340	980634	245349	980643

★ NC2, 630A, 3P

Us (V)	CTN	Order Code					
		50Hz		60Hz		50/60Hz	
		Standard	RoHS	Standard	RoHS	Standard	RoHS
110	1	245350	980644	245359	980653	245368	980662
120	1	245351	980645	245360	980654	245369	980663
127	1	245352	980646	245361	980655	245370	980664
220	1	245353	980647	245362	980656	245371	980665
230	1	245354	980648	245363	980657	245372	980666
240	1	245355	980649	245364	980658	245373	980667
380	1	245356	980650	245365	980659	245374	980668
400	1	245357	980651	245366	980660	245375	980669
415	1	245358	980652	245367	980661	245376	980670

★ NC2, 630A, 4P

Us (V)	CTN	Order Code					
		50Hz		60Hz		50/60Hz	
		Standard	RoHS	Standard	RoHS	Standard	RoHS
110	1	245377	980671	245385	980680	245393	980689
120	1		980672		980681		980690
127	1	245378	980673	245386	980682	245394	980691
220	1	245379	980674	245387	980683	245395	980692
230	1	245380	980675	245388	980684	245396	980693
240	1	245381	980676	245389	980685	245397	980694
380	1	245382	980677	245390	980686	245398	980695
400	1	245383	980678	245391	980687	245399	980696
415	1	245384	980679	245392	980688	245400	980697

➔ **NC2 Contactor**

★ NC2, 115A, 3P

Us (V)	CTN	Order Code					
		50Hz		60Hz		50/60Hz	
		Standard	RoHS	Standard	RoHS	Standard	RoHS
110	2	245001	980149	245012	980161	245401	980173
120	2	245002	980150	245013	980162	245402	980174
127	2	245003	980151	245014	980163	245403	980175
220	2	245004	980152	245015	980164	245404	980176
230	2	245005	980153	245016	980165	245405	980177
240	2	245006	980154	245017	980166	245406	980178
380	2	245007	980155	245018	980167	245407	980179
400	2	245008	980156	245019	980168	245408	980180
415	2	245009	980157	245020	980169	245409	980181
440	2	245010	980158	245021	980170	245410	980182
500	2		980159		980171	245411	980183
660	2	245011	980160	245022	980172	245412	980184

★ NC2, 115A, 4P

Us (V)	CTN	Order Code					
		50Hz		60Hz		50/60Hz	
		Standard	RoHS	Standard	RoHS	Standard	RoHS
110	2	245023	980185	245034	980197	245413	980209
120	2		980186		980198	245414	980210
127	2	245024	980187	245035	980199	245415	980211
220	2	245025	980188	245036	980200	245416	980212
230	2	245026	980189	245037	980201	245417	980213
240	2	245027	980190	245038	980202	245418	980214
380	2	245028	980191	245039	980203	245419	980215
400	2	245029	980192	245040	980204	245420	980216
415	2	245030	980193	245041	980205	245421	980217
440	2	245031	980194	245042	980206	245422	980218
500	2	245032	980195	245043	980207	245423	980219
660	2	245033	980196	245044	980208	245424	980220

★ NC2, 150A, 3P

Us (V)	CTN	Order Code					
		50Hz		60Hz		50/60Hz	
		Standard	RoHS	Standard	RoHS	Standard	RoHS
110	2	245045	980221	245056	980233	245425	980245
120	2	245046	980222	245057	980234	245426	980246
127	2	245047	980223	245058	980235	245427	980247
220	2	245048	980224	245059	980236	245428	980248
230	2	245049	980225	245060	980237	245429	980249
240	2	245050	980226	245061	980238	245430	980250
380	2	245051	980227	245062	980239	245431	980251
400	2	245052	980228	245063	980240	245432	980252
415	2	245053	980229	245064	980241	245433	980253
440	2	245054	980230	245065	980242	245434	980254
500	2		980231		980243	245435	980255
660	2	245055	980232	245066	980244	245436	980256

★ NC2, 150A, 4P

Us (V)	CTN	Order Code					
		50Hz		60Hz		50/60Hz	
		Standard	RoHS	Standard	RoHS	Standard	RoHS
110	2	245067	980257	245077	980269	245437	980281
120	2		980258		980270	245438	980282
127	2	245068	980259	245078	980271	245439	980283
220	2	245069	980260	245079	980272	245440	980284
230	2	245070	980261	245080	980273	245441	980285
240	2	245071	980262	245081	980274	245442	980286
380	2		980263	245082	980275	245443	980287
400	2	245072	980264	245083	980276	245444	980288
415	2	245073	980265	245084	980277	245445	980289
440	2	245074	980266	245085	980278	245446	980290
500	2	245075	980267	245086	980279	245447	980291
660	2	245076	980268	245087	980280	245448	980292

★ NC2, 185A, 3P

Us (V)	CTN	Order Code					
		50Hz		60Hz		50/60Hz	
		Standard	RoHS	Standard	RoHS	Standard	RoHS
110	2	245088	980293	245100	980305	245449	980317
120	2	245089	980294	245101	980306	245450	980318
127	2	245090	980295	245102	980307	245451	980319
220	2	245091	980296	245103	980308	245452	980320
230	2	245092	980297	245104	980309	245453	980321
240	2	245093	980298	245105	980310	245454	980322
380	2	245094	980299	245106	980311	245455	980323
400	2	245095	980300	245107	980312	245456	980324
415	2	245096	980301	245108	980313	245457	980325
440	2	245097	980302	245109	980314	245458	980326
500	2	245098	980303		980315	245459	980327
660	2	245099	980304	245110	980316	245460	980328

★ NC2, 185A, 4P

Us (V)	CTN	Order Code					
		50Hz		60Hz		50/60Hz	
		Standard	RoHS	Standard	RoHS	Standard	RoHS
110	2	245111	980329	245121	980341	245461	980353
120	2		980330		980342	245462	980354
127	2	245112	980331	245122	980343	245463	980355
220	2	245113	980332	245123	980344	245464	980356
230	2	245114	980333	245124	980345	245465	980357
240	2	245115	980334	245125	980346	245466	980358
380	2	245116	980335	245126	980347	245467	980359
400	2	245117	980336	245127	980348	245468	980360
415	2	245118	980337	245128	980349	245469	980361
440	2	245119	980338	245129	980350	245470	980362
500	2		980339	245130	980351	245471	980363
660	2	245120	980340	245131	980352	245472	980364

★ NC2, 225A, 3P

Us (V)	CTN	Order Code					
		50Hz		60Hz		50/60Hz	
		Standard	RoHS	Standard	RoHS	Standard	RoHS
110	2	245133	980365	245145		245473	980389
120	2	245134	980366	245146	980378	245474	980390
127	2	245135	980367	245147	980379	245475	980391
220	2	245136	980368	245148	980380	245476	980392
230	2	245137	980369	245149	980381	245477	980393
240	2	245138	980370	245150	980382	245478	980394
380	2	245139	980371	245151	980383	245479	980395
400	2	245140	980372	245152	980384	245480	980396
415	2	245141	980373	245153	980385	245481	980397
440	2	245142	980374	245154	980386	245482	980398
500	2		980375		980387	245483	980399
660	2	245143	980376	245155	980388	245484	980400

★ NC2, 225A, 4P

Us (V)	CTN	Order Code					
		50Hz		60Hz		50/60Hz	
		Standard	RoHS	Standard	RoHS	Standard	RoHS
110	2	245156	980401	245167	980413	245485	980425
120	2		980402		980414	245486	980426
127	2	245157	980403	245168	980415	245487	980427
220	2	245158	980404	245169	980416	245488	980428
230	2	245159	980405	245170	980417	245489	980429
240	2	245160	980406	245171	980418	245490	980430
380	2	245161	980407	245172	980419	245491	980431
400	2	245162	980408	245173	980420	245492	980432
415	2	245163	980409	245174	980421	245493	980433
440	2	245164	980410	245175	980422	245494	980434
500	2	245165	980411	245176	980423	245495	980435
660	2	245166	980412	245177	980424	245496	980436

★ NC1-N, 50A, main 3N/O+Aux 1N/O 1N/C (11)

Us (V)	CTN	Order Code					
		50Hz		60Hz		50/60Hz	
		Standard	RoHS	Standard	RoHS	Standard	RoHS
24	8	243704	975219	243719	975234	243734	975249
36	8	243705	975220	243720	975235	243735	975250
42	8	243706	975221	243721	975236	243736	975251
48	8	243707	975222	243722	975237	243737	975252
110	8	243708	975223	243723	975238	243738	975253
127	8	243709	975224	243724	975239	243739	975254
220	8	243710	975225	243725	975240	243740	975255
230	8	243711	975226	243726	975241	243741	975256
240	8	243712	975227	243727	975242	243742	975257
380	8	243713	975228	243728	975243	243743	975258
400	8	243714	975229	243729	975244	243744	975259
415	8	243715	975230	243730	975245	243745	975260
440	8	243716	975231	243731	975246	243746	975261
500	8	243717	975232	243732	975247	243747	975262
660	8	243718	975233	243733	975248	243748	975263

★ NC1-N, 65A, main 4N/O (04)

Us (V)	CTN	Order Code					
		50Hz		60Hz		50/60Hz	
		Standard	RoHS	Standard	RoHS	Standard	RoHS
24	8	243749	975264	243763	975279	243777	975294
36	8	243750	975265	243764	975280	243778	975295
42	8	243751	975266	243765	975281	243779	975296
48	8	243752	975267	243766	975282	243780	975297
110	8	243753	975268	243767	975283	243781	975298
127	8	243754	975269	243768	975284	243782	975299
220	8	243755	975270	243769	975285	243783	975300
230	8	243756	975271	243770	975286	243784	975301
240	8	243757	975272	243771	975287	243785	975302
380	8	243758	975273	243772	975288	243786	975303
400	8	243759	975274	243773	975289	243787	975304
415	8	243760	975275	243774	975290	243788	975305
440	8	243761	975276	243775	975291	243789	975306
500	8		975277		975292		975307
660	8	243762	975278	243776	975293	243790	975308

★ NC1-N, 65A, main 3N/O+Aux 1N/O 1N/C (11)

Us (V)	CTN	Order Code					
		50Hz		60Hz		50/60Hz	
		Standard	RoHS	Standard	RoHS	Standard	RoHS
24	8	243791	975309	243806	975324	243821	975339
36	8	243792	975310	243807	975325	243822	975340
42	8	243793	975311	243808	975326	243823	975341
48	8	243794	975312	243809	975327	243824	975342
110	8	243795	975313	243810	975328	243825	975343
127	8	243796	975314	243811	975329	243826	975344
220	8	243797	975315	243812	975330	243827	975345
230	8	243798	975316	243813	975331	243828	975346
240	8	243799	975317	243814	975332	243829	975347
380	8	243800	975318	243815	975333	243830	975348
400	8	243801	975319	243816	975334	243831	975349
415	8	243802	975320	243817	975335	243832	975350
440	8	243803	975321	243818	975336	243833	975351
500	8	243804	975322	243819	975337	243834	975352
660	8	243805	975323	243820	975338	243835	975353

★ NC1-N, 80A, main 4N/O (04)

Us (V)	CTN	Order Code					
		50Hz		60Hz		50/60Hz	
		Standard	RoHS	Standard	RoHS	Standard	RoHS
24	8	243836	975354	243850	975369	243864	975384
36	8	243837	975355	243851	975370	243865	975385
42	8	243838	975356	243852	975371	243866	975386
48	8	243839	975357	243853	975372	243867	975387
110	8	243840	975358	243854	975373	243868	975388
127	8	243841	975359	243855	975374	243869	975389
220	8	243842	975360	243856	975375	243870	975390
230	8	243843	975361	243857	975376	243871	975391
240	8	243844	975362	243858	975377	243872	975392
380	8	243845	975363	243859	975378	243873	975393
400	8	243846	975364	243860	975379	243874	975394
415	8	243847	975365	243861	975380	243875	975395
440	8	243848	975366	243862	975381	243876	975396
500	8		975367		975382		975397
660	8	243849	975368	243863	975383	243877	975398

★ NC1-N, 80A, main 3N/O+Aux 1N/O 1N/C (11)

Us (V)	CTN	Order Code					
		50Hz		60Hz		50/60Hz	
		Standard	RoHS	Standard	RoHS	Standard	RoHS
24	8	243878	975399	243893	975414	243908	975429
36	8	243879	975400	243894	975415	243909	975430
42	8	243880	975401	243895	975416	243910	975431
48	8	243881	975402	243896	975417	243911	975432
110	8	243882	975403	243897	975418	243912	975433
127	8	243883	975404	243898	975419	243913	975434
220	8	243884	975405	243899	975420	243914	975435
230	8	243885	975406	243900	975421	243915	975436
240	8	243886	975407	243901	975422	243916	975437
380	8	243887	975408	243902	975423	243917	975438
400	8	243888	975409	243903	975424	243918	975439
415	8	243889	975410	243904	975425	243919	975440
440	8	243890	975411	243905	975426	243920	975441
500	8	243891	975412	243906	975427	243921	975442
660	8	243892	975413	243907	975428	243922	975443

★ NC1-N, 95A, main 4N/O (04)

Us (V)	CTN	Order Code					
		50Hz		60Hz		50/60Hz	
		Standard	RoHS	Standard	RoHS	Standard	RoHS
24	8	243923	975444	243937	975459	243951	975474
36	8	243924	975445	243938	975460	243952	975475
42	8	243925	975446	243939	975461	243953	975476
48	8	243926	975447	243940	975462	243954	975477
110	8	243927	975448	243941	975463	243955	975478
127	8	243928	975449	243942	975464	243956	975479
220	8	243929	975450	243943	975465	243957	975480
230	8	243930	975451	243944	975466	243958	975481
240	8	243931	975452	243945	975467	243959	975482
380	8	243932	975453	243946	975468	243960	975483
400	8	243933	975454	243947	975469	243961	975484
415	8	243934	975455	243948	975470	243962	975485
440	8	243935	975456	243949	975471	243963	975486
500	8		975457		975472		975487
660	8	243936	975458	243950	975473	243964	975488

★ NC1-N, 95A, main 3N/O+Aux 1N/O 1N/C (11)

Us (V)	CTN	Order Code					
		50Hz		60Hz		50/60Hz	
		Standard	RoHS	Standard	RoHS	Standard	RoHS
24	8	243965	975489	243980	975504	243995	975519
36	8	243966	975490	243981	975505	243996	975520
42	8	243967	975491	243982	975506	243997	975521
48	8	243968	975492	243983	975507	243998	975522
110	8	243969	975493	243984	975508	243999	975523
127	8	243970	975494	243985	975509	244000	975524
220	8	243971	975495	243986	975510	244001	975525
230	8	243972	975496	243987	975511	244002	975526
240	8	243973	975497	243988	975512	244003	975527
380	8	243974	975498	243989	975513	244004	975528
400	8	243975	975499	243990	975514	244005	975529
415	8	243976	975500	243991	975515	244006	975530
440	8	243977	975501	243992	975516	244007	975531
500	8	243978	975502	243993	975517	244008	975532
660	8	243979	975503	243994	975518	244009	975533

★ NC1-N, 25A, main 3N/O+Aux 1N/C (01)

Us (V)	CTN	Order Code					
		50Hz		60Hz		50/60Hz	
		Standard	RoHS	Standard	RoHS	Standard	RoHS
24	18	243360	974859	243375	974874	243390	974889
36	18	243361	974860	243376	974875	243391	974890
42	18	243365	974861	243380	974876	243395	974891
48	18	243367	974862	243382	974877	243397	974892
110	18	243355	974863	243370	974878	243385	974893
127	18	243356	974864	243371	974879	243386	974894
220	18	243357	974865	243372	974880	243387	974895
230	18	243358	974866	243373	974881	243388	974896
240	18	243359	974867	243374	974882	243389	974897
380	18	243362	974868	243377	974883	243392	974898
400	18	243363	974869	243378	974884	243393	974899
415	18	243364	974870	243379	974885	243394	974900
440	18	243366	974871	243381	974886	243396	974901
500	18	243368	974872	243383	974887	243398	974902
660	18	243369	974873	243384	974888	243399	974903

★ NC1-N, 25A, main 4N/O (04)

Us (V)	CTN	Order Code					
		50Hz		60Hz		50/60Hz	
		Standard	RoHS	Standard	RoHS	Standard	RoHS
24	18	243405	974904	243419	974919	243433	974934
36	18	243406	974905	243420	974920	243434	974935
42	18	243410	974906	243424	974921	243438	974936
48	18	243412	974907	243426	974922	243440	974937
110	18	243400	974908	243414	974923	243428	974938
127	18	243401	974909	243415	974924	243429	974939
220	18	243402	974910	243416	974925	243430	974940
230	18	243403	974911	243417	974926	243431	974941
240	18	243404	974912	243418	974927	243432	974942
380	18	243407	974913	243421	974928	243435	974943
400	18	243408	974914	243422	974929	243436	974944
415	18	243409	974915	243423	974930	243437	974945
440	18	243411	974916	243425	974931	243439	974946
500	18		974917		974932		974947
660	18	243413	974918	243427	974933	243441	974948

★ NC1-N, 25A, main 3N/O+Aux 1N/O (10)

Us (V)	CTN	Order Code					
		50Hz		60Hz		50/60Hz	
		Standard	RoHS	Standard	RoHS	Standard	RoHS
24	18	243447	974949	243462	974964	243477	974979
36	18	243448	974950	243463	974965	243478	974980
42	18	243452	974951	243467	974966	243482	974981
48	18	243454	974952	243469	974967	243484	974982
110	18	243442	974953	243457	974968	243472	974983
127	18	243443	974954	243458	974969	243473	974984
220	18	243444	974955	243459	974970	243474	974985
230	18	243445	974956	243460	974971	243475	974986
240	18	243446	974957	243461	974972	243476	974987
380	18	243449	974958	243464	974973	243479	974988
400	18	243450	974959	243465	974974	243480	974989
415	18	243451	974960	243466	974975	243481	974990
440	18	243453	974961	243468	974976	243483	974991
500	18	243455	974962	243470	974977	243485	974992
660	18	243456	974963	243471	974978	243486	974993

★ NC1-N, 32A, main 3N/O+Aux 1N/C (01)

Us (V)	CTN	Order Code					
		50Hz		60Hz		50/60Hz	
		Standard	RoHS	Standard	RoHS	Standard	RoHS
24	18	243487	974994	243502	975009	243517	975024
36	18	243488	974995	243503	975010	243518	975025
42	18	243489	974996	243504	975011	243519	975026
48	18	243490	974997	243505	975012	243520	975027
110	18	243491	974998	243506	975013	243521	975028
127	18	243492	974999	243507	975014	243522	975029
220	18	243493	975000	243508	975015	243523	975030
230	18	243494	975001	243509	975016	243524	975031
240	18	243495	975002	243510	975017	243525	975032
380	18	243496	975003	243511	975018	243526	975033
400	18	243497	975004	243512	975019	243527	975034
415	18	243498	975005	243513	975020	243528	975035
440	18	243499	975006	243514	975021	243529	975036
500	18	243500	975007	243515	975022	243530	975037
660	18	243501	975008	243516	975023	243531	975038

★ NC1-N, 32A, main 3N/O+Aux 1N/O (10)

Us (V)	CTN	Order Code					
		50Hz		60Hz		50/60Hz	
		Standard	RoHS	Standard	RoHS	Standard	RoHS
24	18	243532	975039	243546	975054	243560	975069
36	18	243533	975040	243547	975055	243561	975070
42	18	243534	975041	243548	975056	243562	975071
48	18	243535	975042	243549	975057	243563	975072
110	18	243536	975043	243550	975058	243564	975073
127	18	243537	975044	243551	975059	243565	975074
220	18	243538	975045	243552	975060	243566	975075
230	18	243539	975046	243553	975061	243567	975076
240	18	243540	975047	243554	975062	243568	975077
380	18	243541	975048	243555	975063	243569	975078
400	18	243542	975049	243556	975064	243570	975079
415	18	243543	975050	243557	975065	243571	975080
440	18	244010	975051	244011	975066	243572	975081
500	18	243544	975052	243558	975067	243573	975082
660	18	243545	975053	243559	975068	243574	975083

★ NC1-N, 40A, main 4N/O (04)

Us (V)	CTN	Order Code					
		50Hz		60Hz		50/60Hz	
		Standard	RoHS	Standard	RoHS	Standard	RoHS
24	8	243575	975084	243589	975099	243603	975114
36	8	243576	975085	243590	975100	243604	975115
42	8	243577	975086	243591	975101	243605	975116
48	8	243578	975087	243592	975102	243606	975117
110	8	243579	975088	243593	975103	243607	975118
127	8	243580	975089	243594	975104	243608	975119
220	8	243581	975090	243595	975105	243609	975120
230	8	243582	975091	243596	975106	243610	975121
240	8	243583	975092	243597	975107	243611	975122
380	8	243584	975093	243598	975108	243612	975123
400	8	243585	975094	243599	975109	243613	975124
415	8	243586	975095	243600	975110	243614	975125
440	8	243587	975096	243601	975111	243615	975126
500	8		975097		975112		975127
660	8	243588	975098	243602	975113	243616	975128

★ NC1-N, 40A, main 3N/O+Aux 1N/O 1N/C (11)

Us (V)	CTN	Order Code					
		50Hz		60Hz		50/60Hz	
		Standard	RoHS	Standard	RoHS	Standard	RoHS
24	8	243617	975129	243632	975144	243647	975159
36	8	243618	975130	243633	975145	243648	975160
42	8	243619	975131	243634	975146	243649	975161
48	8	243620	975132	243635	975147	243650	975162
110	8	243621	975133	243636	975148	243651	975163
127	8	243622	975134	243637	975149	243652	975164
220	8	243623	975135	243638	975150	243653	975165
230	8	243624	975136	243639	975151	243654	975166
240	8	243625	975137	243640	975152	243655	975167
380	8	243626	975138	243641	975153	243656	975168
400	8	243627	975139	243642	975154	243657	975169
415	8	243628	975140	243643	975155	243658	975170
440	8	243629	975141	243644	975156	243659	975171
500	8	243630	975142	243645	975157	243660	975172
660	8	243631	975143	243646	975158	243661	975173

★ NC1-N, 50A, main 4N/O (04)

Us (V)	CTN	Order Code					
		50Hz		60Hz		50/60Hz	
		Standard	RoHS	Standard	RoHS	Standard	RoHS
24	8	243662	975174	243676	975189	243690	975204
36	8	243663	975175	243677	975190	243691	975205
42	8	243664	975176	243678	975191	243692	975206
48	8	243665	975177	243679	975192	243693	975207
110	8	243666	975178	243680	975193	243694	975208
127	8	243667	975179	243681	975194	243695	975209
220	8	243668	975180	243682	975195	243696	975210
230	8	243669	975181	243683	975196	243697	975211
240	8	243670	975182	243684	975197	243698	975212
380	8	243671	975183	243685	975198	243699	975213
400	8	243672	975184	243686	975199	243700	975214
415	8	243673	975185	243687	975200	243701	975215
440	8	243674	975186	243688	975201	243702	975216
500	8		975187		975202		975217
660	8	243675	975188	243689	975203	243703	975218

➔ **NC1-N Contactor, Reversing & change-over type**

★ NC1-N, 9A, main 3N/O+Aux 1N/C (01)

Us (V)	CTN	Order Code					
		50Hz		60Hz		50/60Hz	
		Standard	RoHS	Standard	RoHS	Standard	RoHS
24	24	243001	974499	243016	974514	243031	974529
36	24	243002	974500	243017	974515	243032	974530
42	24	243003	974501	243018	974516	243033	974531
48	24	243004	974502	243019	974517	243034	974532
110	24	243005	974503	243020	974518	243035	974533
127	24	243006	974504	243021	974519	243036	974534
220	24	243007	974505	243022	974520	243037	974535
230	24	243008	974506	243023	974521	243038	974536
240	24	243009	974507	243024	974522	243039	974537
380	24	243010	974508	243025	974523	243040	974538
400	24	243011	974509	243026	974524	243041	974539
415	24	243012	974510	243027	974525	243042	974540
440	24	243013	974511	243028	974526	243043	974541
500	24	243014	974512	243029	974527	243044	974542
660	24	243015	974513	243030	974528	243045	974543

★ NC1-N, 9A, main 4N/O (04)

Us (V)	CTN	Order Code					
		50Hz		60Hz		50/60Hz	
		Standard	RoHS	Standard	RoHS	Standard	RoHS
24	24	243046	974544	243060	974559	243074	974574
36	24	243047	974545	243061	974560	243075	974575
42	24	243048	974546	243062	974561	243076	974576
48	24	243049	974547	243063	974562	243077	974577
110	24	243050	974548	243064	974563	243078	974578
127	24	243051	974549	243065	974564	243079	974579
220	24	243052	974550	243066	974565	243080	974580
230	24	243053	974551	243067	974566	243081	974581
240	24	243054	974552	243068	974567	243082	974582
380	24	243055	974553	243069	974568	243083	974583
400	24	243056	974554	243070	974569	243084	974584
415	24	243057	974555	243071	974570	243085	974585
440	24	243058	974556	243072	974571	243086	974586
500	24		974557		974572		974587
660	24	243059	974558	243073	974573	243087	974588

★ NC1-N, 9A, main 3N/O+Aux 1N/O (10)

Us (V)	CTN	Order Code					
		50Hz		60Hz		50/60Hz	
		Standard	RoHS	Standard	RoHS	Standard	RoHS
24	24	243088	974589	243103	974604	243118	974619
36	24	243089	974590	243104	974605	243119	974620
42	24	243090	974591	243105	974606	243120	974621
48	24	243091	974592	243106	974607	243121	974622
110	24	243092	974593	243107	974608	243122	974623
127	24	243093	974594	243108	974609	243123	974624
220	24	243094	974595	243109	974610	243124	974625
230	24	243095	974596	243110	974611	243125	974626
240	24	243096	974597	243111	974612	243126	974627
380	24	243097	974598	243112	974613	243127	974628
400	24	243098	974599	243113	974614	243128	974629
415	24	243099	974600	243114	974615	243129	974630
440	24	243100	974601	243115	974616	243130	974631
500	24	243101	974602	243116	974617	243131	974632
660	24	243102	974603	243117	974618	243132	974633

★ NC1-N, 12A, main 3N/O+Aux 1N/C (01)

Us (V)	CTN	Order Code					
		50Hz		60Hz		50/60Hz	
		Standard	RoHS	Standard	RoHS	Standard	RoHS
24	24	243133	974634	243148	974649	243163	974664
36	24	243134	974635	243149	974650	243164	974665
42	24	243135	974636	243150	974651	243165	974666
48	24	243136	974637	243151	974652	243166	974667
110	24	243137	974638	243152	974653	243167	974668
127	24	243138	974639	243153	974654	243168	974669
220	24	243139	974640	243154	974655	243169	974670
230	24	243140	974641	243155	974656	243170	974671
240	24	243141	974642	243156	974657	243171	974672
380	24	243142	974643	243157	974658	243172	974673
400	24	243143	974644	243158	974659	243173	974674
415	24	243144	974645	243159	974660	243174	974675
440	24	243145	974646	243160	974661	243175	974676
500	24	243146	974647	243161	974662	243176	974677
660	24	243147	974648	243162	974663	243177	974678

★ NC1-N, 12A, main 4N/O (04)

Us (V)	CTN	Order Code					
		50Hz		60Hz		50/60Hz	
		Standard	RoHS	Standard	RoHS	Standard	RoHS
24	24	243178	974679	243192	974694	243206	974709
36	24	243179	974680	243193	974695	243207	974710
42	24	243180	974681	243194	974696	243208	974711
48	24	243181	974682	243195	974697	243209	974712
110	24	243182	974683	243196	974698	243210	974713
127	24	243183	974684	243197	974699	243211	974714
220	24	243184	974685	243198	974700	243212	974715
230	24	243185	974686	243199	974701	243213	974716
240	24	243186	974687	243200	974702	243214	974717
380	24	243187	974688	243201	974703	243215	974718
400	24	243188	974689	243202	974704	243216	974719
415	24	243189	974690	243203	974705	243217	974720
440	24	243190	974691	243204	974706	243218	974721
500	24		974692		974707		974722
660	24	243191	974693	243205	974708	243219	974723

★ NC1-N, 12A, main 3N/O+Aux 1N/O (10)

Us (V)	CTN	Order Code					
		50Hz		60Hz		50/60Hz	
		Standard	RoHS	Standard	RoHS	Standard	RoHS
24	24	243220	974724	243235	974739	243250	974754
36	24	243221	974725	243236	974740	243251	974755
42	24	243222	974726	243237	974741	243252	974756
48	24	243223	974727	243238	974742	243253	974757
110	24	243224	974728	243239	974743	243254	974758
127	24	243225	974729	243240	974744	243255	974759
220	24	243226	974730	243241	974745	243256	974760
230	24	243227	974731	243242	974746	243257	974761
240	24	243228	974732	243243	974747	243258	974762
380	24	243229	974733	243244	974748	243259	974763
400	24	243230	974734	243245	974749	243260	974764
415	24	243231	974735	243246	974750	243261	974765
440	24	243232	974736	243247	974751	243262	974766
500	24	243233	974737	243248	974752	243263	974767
660	24	243234	974738	243249	974753	243264	974768

★ NC1-N, 18A, main 3N/O+Aux 1N/C (01)

Us (V)	CTN	Order Code					
		50Hz		60Hz		50/60Hz	
		Standard	RoHS	Standard	RoHS	Standard	RoHS
24	24	243265	974769	243280	974784	243295	974799
36	24	243266	974770	243281	974785	243296	974800
42	24	243267	974771	243282	974786	243297	974801
48	24	243268	974772	243283	974787	243298	974802
110	24	243269	974773	243284	974788	243299	974803
127	24	243270	974774	243285	974789	243300	974804
220	24	243271	974775	243286	974790	243301	974805
230	24	243272	974776	243287	974791	243302	974806
240	24	243273	974777	243288	974792	243303	974807
380	24	243274	974778	243289	974793	243304	974808
400	24	243275	974779	243290	974794	243305	974809
415	24	243276	974780	243291	974795	243306	974810
440	24	243277	974781	243292	974796	243307	974811
500	24	243278	974782	243293	974797	243308	974812
660	24	243279	974783	243294	974798	243309	974813

★ NC1-N, 18A, main 3N/O+Aux 1N/O (10)

Us (V)	CTN	Order Code					
		50Hz		60Hz		50/60Hz	
		Standard	RoHS	Standard	RoHS	Standard	RoHS
24	24	243310	974814	243325	974829	243340	974844
36	24	243311	974815	243326	974830	243341	974845
42	24	243312	974816	243327	974831	243342	974846
48	24	243313	974817	243328	974832	243343	974847
110	24	243314	974818	243329	974833	243344	974848
127	24	243315	974819	243330	974834	243345	974849
220	24	243316	974820	243331	974835	243346	974850
230	24	243317	974821	243332	974836	243347	974851
240	24	243318	974822	243333	974837	243348	974852
380	24	243319	974823	243334	974838	243349	974853
400	24	243320	974824	243335	974839	243350	974854
415	24	243321	974825	243336	974840	243351	974855
440	24	243322	974826	243337	974841	243352	974856
500	24	243323	974827	243338	974842	243353	974857
660	24	243324	974828	243339	974843	243354	974858

★ NC1, 18A, main 3N/O+Aux 1N/C (01)

Us (V)	CTN	Order code	
		Standard	RoHS
24	40	241475	973489
48	40	241476	973490
60	40	241477	973491
110	40	241478	973492
220	40	241479	973493

★ NC1, 18A, main 3N/O+Aux 1N/O (10)

Us (V)	CTN	Order code	
		Standard	RoHS
24	40	241480	973494
48	40	241481	973495
60	40	241482	973496
110	40	241483	973497
220	40	241484	973498

★ NC1, 25A, main 3N/O+Aux 1N/C (01)

Us (V)	CTN	Order code	
		Standard	RoHS
24	24	241656	973679
48	24	241657	973680
60	24	241658	973681
110	24	241659	973682
220	24	241660	973683

★ NC1, 25A, main 4N/O (04)

Us (V)	CTN	Order code	
		Standard	RoHS
24	24	241661	973684
48	24	241662	973685
60	24	241663	973686
110	24	241664	973687
220	24	241665	973688

★ NC1, 25A, main 2N/O2N/C (08)

Us (V)	CTN	Order code	
		Standard	RoHS
24	24	241666	973689
48	24	241667	973690
60	24	241668	973691
110	24	241669	973692
220	24	241670	973693

★ NC1, 25A, main 3N/O+Aux 1N/O (10)

Us (V)	CTN	Order code	
		Standard	RoHS
24	24	241671	973694
48	24	241672	973695
60	24	241673	973696
110	24	241674	973697
220	24	241675	973698

★ NC1, 32A, main 3N/O+Aux 1N/C (01)

Us (V)	CTN	Order code	
		Standard	RoHS
24	24	241763	973789
48	24	241764	973790
60	24	241765	973791
110	24	241766	973792
220	24	241767	973793

★ NC1, 32A, main 3N/O+Aux 1N/O (10)

Us (V)	CTN	Order code	
		Standard	RoHS
24	24	241768	973794
48	24	241769	973795
60	24	241770	973796
110	24	241771	973797
220	24	241772	973798

★ NC1, 40A, main 3N/O+Aux 1N/O 1N/C (11)

Us (V)	CTN	Order code	
		Standard	RoHS
24	10	241896	973934
48	10	241897	973935
60	10	241898	973936
110	10	241899	973937
220	10	241900	973938

★ NC1, 50A, main 3N/O+Aux 1N/O 1N/C (11)

Us (V)	CTN	Order code	
		Standard	RoHS
24	10	242030	974074
48	10	242031	974075
60	10	242032	974076
110	10	242033	974077
220	10	242034	974078

★ NC1, 65A, main 3N/O+Aux 1N/O 1N/C (11)

Us (V)	CTN	Order code	
		Standard	RoHS
24	10	242164	974214
48	10	242165	974215
60	10	242166	974216
110	10	242167	974217
220	10	242168	974218

★ NC1, 80A, main 3N/O+Aux 1N/O 1N/C (11)

Us (V)	CTN	Order code	
		Standard	RoHS
24	8	242298	974354
48	8	242299	974355
60	8	242300	974356
110	8	242301	974357
220	8	242302	974358

★ NC1, 95A, main 3N/O+Aux 1N/O 1N/C (11)

Us (V)	CTN	Order code	
		Standard	RoHS
24	8	242432	974494
48	8	242433	974495
60	8	242434	974496
110	8	242435	974497
220	8	242436	974498

★ NC1, 95A, main 4N/O (04)

Us (V)	CTN	Order Code					
		50Hz		60Hz		50/60Hz	
		Standard	RoHS	Standard	RoHS	Standard	RoHS
24	12	242303	974359	242317	974374	242331	974389
36	12	242304	974360	242318	974375	242332	974390
42	12	242305	974361	242319	974376	242333	974391
48	12	242306	974362	242320	974377	242334	974392
110	12	242307	974363	242321	974378	242335	974393
120	12	242459	974364	242460	974379	242461	974394
127	12	242308	974365	242322	974380	242336	974395
220	12	242309	974366	242323	974381	242337	974396
230	12	242310	974367	242324	974382	242338	974397
240	12	242311	974368	242325	974383	242339	974398
380	12	242312	974369	242326	974384	242340	974399
400	12	242313	974370	242327	974385	242341	974400
415	12	242314	974371	242328	974386	242342	974401
440	12	242315	974372	242329	974387	242343	974402
660	12	242316	974373	242330	974388	242344	974403

★ NC1, 95A, main 2N/O+2N/C (08)

Us (V)	CTN	Order Code					
		50Hz		60Hz		50/60Hz	
		Standard	RoHS	Standard	RoHS	Standard	RoHS
24	12	242345	974404	242359	974419	242373	974434
36	12	242346	974405	242360	974420	242374	974435
42	12	242347	974406	242361	974421	242375	974436
48	12	242348	974407	242362	974422	242376	974437
110	12	242349	974408	242363	974423	242377	974438
120	12	242462	974409	242463	974424	242464	974439
127	12	242350	974410	242364	974425	242378	974440
220	12	242351	974411	242365	974426	242379	974441
230	12	242352	974412	242366	974427	242380	974442
240	12	242353	974413	242367	974428	242381	974443
380	12	242354	974414	242368	974429	242382	974444
400	12	242355	974415	242369	974430	242383	974445
415	12	242356	974416	242370	974431	242384	974446
440	12	242357	974417	242371	974432	242385	974447
660	12	242358	974418	242372	974433	242386	974448

★ NC1, 95A, main 3N/O+Aux 1N/O 1N/C (11)

Us (V)	CTN	Order Code					
		50Hz		60Hz		50/60Hz	
		Standard	RoHS	Standard	RoHS	Standard	RoHS
24	16	242387	974449	242402	974464	242417	974479
36	16	242388	974450	242403	974465	242418	974480
42	16	242389	974451	242404	974466	242419	974481
48	16	242390	974452	242405	974467	242420	974482
110	16	242391	974453	242406	974468	242421	974483
120	16	242392	974454	242407	974469	242422	974484
127	16	242393	974455	242408	974470	242423	974485
220	16	242394	974456	242409	974471	242424	974486
230	16	242395	974457	242410	974472	242425	974487
240	16	242396	974458	242411	974473	242426	974488
380	16	242397	974459	242412	974474	242427	974489
400	16	242398	974460	242413	974475	242428	974490
415	16	242399	974461	242414	974476	242429	974491
440	16	242400	974462	242415	974477	242430	974492
660	16	242401	974463	242416	974478	242431	974493

DC Coil Operation

★ NC1, 9A, main 3N/O+Aux 1N/C(01)

Us (V)	CTN	Order code	
		Standard	RoHS
24	40	241177	973179
48	40	241178	973180
60	40	241179	973181
110	40	241180	973182
220	40	241181	973183

★ NC1, 9A, main 4N/O (04)

Us (V)	CTN	Order code	
		Standard	RoHS
24	40	241192	973184
48	40	241193	973185
60	40	241194	973186
110	40	241195	973187
220	40	241196	973188

★ NC1, 9A, main 2N/O+2N/C(08)

Us (V)	CTN	Order code	
		Standard	RoHS
24	40	241182	973189
48	40	241183	973190
60	40	241184	973191
110	40	241185	973192
220	40	241186	973193

★ NC1, 9A, main 3N/O+Aux 1N/O (10)

Us (V)	CTN	Order code	
		Standard	RoHS
24	40	241187	973194
48	40	241188	973195
60	40	241189	973196
110	40	241190	973197
220	40	241191	973198

★ NC1, 12A, main 3N/O+Aux 1N/C (01)

Us (V)	CTN	Order code	
		Standard	RoHS
24	40	241371	973379
48	40	241372	973380
60	40	241373	973381
110	40	241374	973382
220	40	241375	973383

★ NC1, 12A, main 4N/O (04)

Us (V)	CTN	Order code	
		Standard	RoHS
24	40	241386	973384
48	40	241387	973385
60	40	241388	973386
110	40	241389	973387
220	40	241390	973388

★ NC1, 12A, main 2N/O2N/C (08)

Us (V)	CTN	Order code	
		Standard	RoHS
24	40	241376	973389
48	40	241377	973390
60	40	241378	973391
110	40	241379	973392
220	40	241380	973393

★ NC1, 12A, main 3N/O+Aux 1N/O (10)

Us (V)	CTN	Order code	
		Standard	RoHS
24	40	241381	973394
48	40	241382	973395
60	40	241383	973396
110	40	241384	973397
220	40	241385	973398

★ NC1, 50A, main 2N/O+2N/C (08)

Us (V)	CTN	Order Code					
		50Hz		60Hz		50/60Hz	
		Standard	RoHS	Standard	RoHS	Standard	RoHS
24	16	241943	973984	241957	973999	241971	974014
36	16	241944	973985	241958	974000	241972	974015
42	16	241945	973986	241959	974001	241973	974016
48	16	241946	973987	241960	974002	241974	974017
110	16	241947	973988	241961	974003	241975	974018
120	16	242511	973989	242512	974004	242513	974019
127	16	241948	973990	241962	974005	241976	974020
220	16	241949	973991	241963	974006	241977	974021
230	16	241950	973992	241964	974007	241978	974022
240	16	241951	973993	241965	974008	241979	974023
380	16	241952	973994	241966	974009	241980	974024
400	16	241953	973995	241967	974010	241981	974025
415	16	241954	973996	241968	974011	241982	974026
440	16	241955	973997	241969	974012	241983	974027
660	16	241956	973998	241970	974013	241984	974028

★ NC1, 50A, main 3N/O+Aux 1N/O 1N/C (11)

Us (V)	CTN	Order Code					
		50Hz		60Hz		50/60Hz	
		Standard	RoHS	Standard	RoHS	Standard	RoHS
24	20	241985	974029	242000	974044	242015	974059
36	20	241986	974030	242001	974045	242016	974060
42	20	241987	974031	242002	974046	242017	974061
48	20	241988	974032	242003	974047	242018	974062
110	20	241989	974033	242004	974048	242019	974063
120	20	241990	974034	242005	974049	242020	974064
127	20	241991	974035	242006	974050	242021	974065
220	20	241992	974036	242007	974051	242022	974066
230	20	241993	974037	242008	974052	242023	974067
240	20	241994	974038	242009	974053	242024	974068
380	20	241995	974039	242010	974054	242025	974069
400	20	241996	974040	242011	974055	242026	974070
415	20	241997	974041	242012	974056	242027	974071
440	20	241998	974042	242013	974057	242028	974072
660	20	241999	974043	242014	974058	242029	974073

★ NC1, 65A, main 4N/O (04)

Us (V)	CTN	Order Code					
		50Hz		60Hz		50/60Hz	
		Standard	RoHS	Standard	RoHS	Standard	RoHS
24	16	242035	974079	242049	974094	242063	974109
36	16	242036	974080	242050	974095	242064	974110
42	16	242037	974081	242051	974096	242065	974111
48	16	242038	974082	242052	974097	242066	974112
110	16	242039	974083	242053	974098	242067	974113
120	16	242453	974084	242454	974099	242455	974114
127	16	242040	974085	242054	974100	242068	974115
220	16	242041	974086	242055	974101	242069	974116
230	16	242042	974087	242056	974102	242070	974117
240	16	242043	974088	242057	974103	242071	974118
380	16	242044	974089	242058	974104	242072	974119
400	16	242045	974090	242059	974105	242073	974120
415	16	242046	974091	242060	974106	242074	974121
440	16	242047	974092	242061	974107	242075	974122
660	16	242048	974093	242062	974108	242076	974123

★ NC1, 65A, main 2N/O+2N/C (08)

Us (V)	CTN	Order Code					
		50Hz		60Hz		50/60Hz	
		Standard	RoHS	Standard	RoHS	Standard	RoHS
24	16	242077	974124	242091	974139	242105	974154
36	16	242078	974125	242092	974140	242106	974155
42	16	242079	974126	242093	974141	242107	974156
48	16	242080	974127	242094	974142	242108	974157
110	16	242081	974128	242095	974143	242109	974158
120	16	242456	974129	242457	974144	242458	974159
127	16	242082	974130	242096	974145	242110	974160
220	16	242083	974131	242097	974146	242111	974161
230	16	242084	974132	242098	974147	242112	974162
240	16	242085	974133	242099	974148	242113	974163
380	16	242086	974134	242100	974149	242114	974164
400	16	242087	974135	242101	974150	242115	974165
415	16	242088	974136	242102	974151	242116	974166
440	16	242089	974137	242103	974152	242117	974167
660	16	242090	974138	242104	974153	242118	974168

★ NC1, 65A, main 3N/O+Aux 1N/O 1N/C (11)

Us (V)	CTN	Order Code					
		50Hz		60Hz		50/60Hz	
		Standard	RoHS	Standard	RoHS	Standard	RoHS
24	20	242119	974169	242134	974184	242149	974199
36	20	242120	974170	242135	974185	242150	974200
42	20	242121	974171	242136	974186	242151	974201
48	20	242122	974172	242137	974187	242152	974202
110	20	242123	974173	242138	974188	242153	974203
120	20	242124	974174	242139	974189	242154	974204
127	20	242125	974175	242140	974190	242155	974205
220	20	242126	974176	242141	974191	242156	974206
230	20	242127	974177	242142	974192	242157	974207
240	20	242128	974178	242143	974193	242158	974208
380	20	242129	974179	242144	974194	242159	974209
400	20	242130	974180	242145	974195	242160	974210
415	20	242131	974181	242146	974196	242161	974211
440	20	242132	974182	242147	974197	242162	974212
660	20	242133	974183	242148	974198	242163	974213

★ NC1, 80A, main 4N/O (04)

Us (V)	CTN	Order Code					
		50Hz		60Hz		50/60Hz	
		Standard	RoHS	Standard	RoHS	Standard	RoHS
24	12	242169	974219	242183	974234	242197	974249
36	12	242170	974220	242184	974235	242198	974250
42	12	242171	974221	242185	974236	242199	974251
48	12	242172	974222	242186	974237	242200	974252
110	12	242173	974223	242187	974238	242201	974253
120	12	242465	974224	242466	974239	242467	974254
127	12	242174	974225	242188	974240	242202	974255
220	12	242175	974226	242189	974241	242203	974256
230	12	242176	974227	242190	974242	242204	974257
240	12	242177	974228	242191	974243	242205	974258
380	12	242178	974229	242192	974244	242206	974259
400	12	242179	974230	242193	974245	242207	974260
415	12	242180	974231	242194	974246	242208	974261
440	12	242181	974232	242195	974247	242209	974262
660	12	242182	974233	242196	974248	242210	974263

★ NC1, 80A, main 2N/O+2N/C (08)

Us (V)	CTN	Order Code					
		50Hz		60Hz		50/60Hz	
		Standard	RoHS	Standard	RoHS	Standard	RoHS
24	12	242211	974264	242225	974279	242239	974294
36	12	242212	974265	242226	974280	242240	974295
42	12	242213	974266	242227	974281	242241	974296
48	12	242214	974267	242228	974282	242242	974297
110	12	242215	974268	242229	974283	242243	974298
120	12	242468	974269	242469	974284	242470	974299
127	12	242216	974270	242230	974285	242244	974300
220	12	242217	974271	242231	974286	242245	974301
230	12	242218	974272	242232	974287	242246	974302
240	12	242219	974273	242233	974288	242247	974303
380	12	242220	974274	242234	974289	242248	974304
400	12	242221	974275	242235	974290	242249	974305
415	12	242222	974276	242236	974291	242250	974306
440	12	242223	974277	242237	974292	242251	974307
660	12	242224	974278	242238	974293	242252	974308

★ NC1, 80A, main 3N/O+Aux 1N/O 1N/C (11)

Us (V)	CTN	Order Code					
		50Hz		60Hz		50/60Hz	
		Standard	RoHS	Standard	RoHS	Standard	RoHS
24	16	242253	974309	242268	974324	242283	974339
36	16	242254	974310	242269	974325	242284	974340
42	16	242255	974311	242270	974326	242285	974341
48	16	242256	974312	242271	974327	242286	974342
110	16	242257	974313	242272	974328	242287	974343
120	16	242258	974314	242273	974329	242288	974344
127	16	242259	974315	242274	974330	242289	974345
220	16	242260	974316	242275	974331	242290	974346
230	16	242261	974317	242276	974332	242291	974347
240	16	242262	974318	242277	974333	242292	974348
380	16	242263	974319	242278	974334	242293	974349
400	16	242264	974320	242279	974335	242294	974350
415	16	242265	974321	242280	974336	242295	974351
440	16	242266	974322	242281	974337	242296	974352
660	16	242267	974323	242282	974338	242297	974353

★ NC1, 25A, main 2N/O+2N/C (08)

Us (V)	CTN	Order Code					
		50Hz		60Hz		50/60Hz	
		Standard	RoHS	Standard	RoHS	Standard	RoHS
24	40	241569	973589	241583	973604	241597	973619
36	40	241570	973590	241584	973605	241598	973620
42	40	241571	973591	241585	973606	241599	973621
48	40	241572	973592	241586	973607	241600	973622
110	40	241573	973593	241587	973608	241601	973623
120	40	242473	973594	242474	973609	242475	973624
127	40	241574	973595	241588	973610	241602	973625
220	40	241575	973596	241589	973611	241603	973626
230	40	241576	973597	241590	973612	241604	973627
240	40	241577	973598	241591	973613	241605	973628
380	40	241578	973599	241592	973614	241606	973629
400	40	241579	973600	241593	973615	241607	973630
415	40	241580	973601	241594	973616	241608	973631
440	40	241581	973602	241595	973617	241609	973632
660	40	241582	973603	241596	973618	241610	973633

★ NC1, 25A, main 3N/O+Aux 1N/O (10)

Us (V)	CTN	Order Code					
		50Hz		60Hz		50/60Hz	
		Standard	RoHS	Standard	RoHS	Standard	RoHS
24	40	241611	973634	241626	973649	241641	973664
36	40	241612	973635	241627	973650	241642	973665
42	40	241613	973636	241628	973651	241643	973666
48	40	241614	973637	241629	973652	241644	973667
110	40	241615	973638	241630	973653	241645	973668
120	40	241616	973639	241631	973654	241646	973669
127	40	241617	973640	241632	973655	241647	973670
220	40	241618	973641	241633	973656	241648	973671
230	40	241619	973642	241634	973657	241649	973672
240	40	241620	973643	241635	973658	241650	973673
380	40	241621	973644	241636	973659	241651	973674
400	40	241622	973645	241637	973660	241652	973675
415	40	241623	973646	241638	973661	241653	973676
440	40	241624	973647	241639	973662	241654	973677
660	40	241625	973648	241640	973663	241655	973678

★ NC1, 32A, main 3N/O+Aux 1N/C (01)

Us (V)	CTN	Order Code					
		50Hz		60Hz		50/60Hz	
		Standard	RoHS	Standard	RoHS	Standard	RoHS
24	40	241676	973699	241690	973714	241704	973729
36	40	241677	973700	241691	973715	241705	973730
42	40	241678	973701	241692	973716	241706	973731
48	40	241679	973702	241693	973717	241707	973732
110	40	241680	973703	241694	973718	241708	973733
120	40	242447	973704	242448	973719	242449	973734
127	40	241681	973705	241695	973720	241709	973735
220	40	241682	973706	241696	973721	241710	973736
230	40	241683	973707	241697	973722	241711	973737
240	40	241684	973708	241698	973723	241712	973738
380	40	241685	973709	241699	973724	241713	973739
400	40	241686	973710	241700	973725	241714	973740
415	40	241687	973711	241701	973726	241715	973741
440	40	241688	973712	241702	973727	241716	973742
660	40	241689	973713	241703	973728	241717	973743

★ NC1, 32A, main 3N/O+Aux 1N/O (10)

Us (V)	CTN	Order Code					
		50Hz		60Hz		50/60Hz	
		Standard	RoHS	Standard	RoHS	Standard	RoHS
24	40	241718	973744	241733	973759	241748	973774
36	40	241719	973745	241734	973760	241749	973775
42	40	241720	973746	241735	973761	241750	973776
48	40	241721	973747	241736	973762	241751	973777
110	40	241722	973748	241737	973763	241752	973778
120	40	241723	973749	241738	973764	241753	973779
127	40	241724	973750	241739	973765	241754	973780
220	40	241725	973751	241740	973766	241755	973781
230	40	241726	973752	241741	973767	241756	973782
240	40	241727	973753	241742	973768	241757	973783
380	40	241728	973754	241743	973769	241758	973784
400	40	241729	973755	241744	973770	241759	973785
415	40	241730	973756	241745	973771	241760	973786
440	40	241731	973757	241746	973772	241761	973787
660	40	241732	973758	241747	973773	241762	973788

★ NC1, 40A, main 4N/O (04)

Us (V)	CTN	Order Code					
		50Hz		60Hz		50/60Hz	
		Standard	RoHS	Standard	RoHS	Standard	RoHS
24	16	241773	973799	241785	973814	241797	973829
36	16	241774	973800	241786	973815	241798	973830
42	16	241775	973801	241787	973816	241799	973831
48	16	241776	973802	241788	973817	241800	973832
110	16	241777	973803	241789	973818	241801	973833
120	16	242476	973804	242477	973819	242478	973834
127	16	242439	973805	242440	973820	242441	973835
220	16	242442	973806	242443	973821	242444	973836
230	16	241778	973807	241790	973822	241802	973837
240	16	241779	973808	241791	973823	241803	973838
380	16	241780	973809	241792	973824	241804	973839
400	16	241781	973810	241793	973825	241805	973840
415	16	241782	973811	241794	973826	241806	973841
440	16	241783	973812	241795	973827	241807	973842
660	16	241784	973813	241796	973828	241808	973843

★ NC1, 40A, main 2N/O+2N/C (08)

Us (V)	CTN	Order Code					
		50Hz		60Hz		50/60Hz	
		Standard	RoHS	Standard	RoHS	Standard	RoHS
24	16	241809	973844	241823	973859	241837	973874
36	16	241810	973845	241824	973860	241838	973875
42	16	241811	973846	241825	973861	241839	973876
48	16	241812	973847	241826	973862	241840	973877
110	16	241813	973848	241827	973863	241841	973878
120	16	242479	973849	242480	973864	242481	973879
127	16	241814	973850	241828	973865	241842	973880
220	16	241815	973851	241829	973866	241843	973881
230	16	241816	973852	241830	973867	241844	973882
240	16	241817	973853	241831	973868	241845	973883
380	16	241818	973854	241832	973869	241846	973884
400	16	241819	973855	241833	973870	241847	973885
415	16	241820	973856	241834	973871	241848	973886
440	16	241821	973857	241835	973872	241849	973887
660	16	241822	973858	241836	973873	241850	973888

★ NC1, 40A, main 3N/O+Aux 1N/O 1N/C (11)

Us (V)	CTN	Order Code					
		50Hz		60Hz		50/60Hz	
		Standard	RoHS	Standard	RoHS	Standard	RoHS
24	20	241851	973889	241866	973904	241881	973919
36	20	241852	973890	241867	973905	241882	973920
42	20	241853	973891	241868	973906	241883	973921
48	20	241854	973892	241869	973907	241884	973922
110	20	241855	973893	241870	973908	241885	973923
120	20	241856	973894	241871	973909	241886	973924
127	20	241857	973895	241872	973910	241887	973925
220	20	241858	973896	241873	973911	241888	973926
230	20	241859	973897	241874	973912	241889	973927
240	20	241860	973898	241875	973913	241890	973928
380	20	241861	973899	241876	973914	241891	973929
400	20	241862	973900	241877	973915	241892	973930
415	20	241863	973901	241878	973916	241893	973931
440	20	241864	973902	241879	973917	241894	973932
660	20	241865	973903	241880	973918	241895	973933

★ NC1, 50A, main 4N/O (04)

Us (V)	CTN	Order Code					
		50Hz		60Hz		50/60Hz	
		Standard	RoHS	Standard	RoHS	Standard	RoHS
24	16	241901	973939	241915	973954	241929	973969
36	16	241902	973940	241916	973955	241930	973970
42	16	241903	973941	241917	973956	241931	973971
48	16	241904	973942	241918	973957	241932	973972
110	16	241905	973943	241919	973958	241933	973973
120	16	242508	973944	242509	973959	242510	973974
127	16	241906	973945	241920	973960	241934	973975
220	16	241907	973946	241921	973961	241935	973976
230	16	241908	973947	241922	973962	241936	973977
240	16	241909	973948	241923	973963	241937	973978
380	16	241910	973949	241924	973964	241938	973979
400	16	241911	973950	241925	973965	241939	973980
415	16	241912	973951	241926	973966	241940	973981
440	16	241913	973952	241927	973967	241941	973982
660	16	241914	973953	241928	973968	241942	973983

★ NC1, 12A, main 3N/O+Aux 1N/C (01)

Us (V)	CTN	Order Code					
		50Hz		60Hz		50/60Hz	
		Standard	RoHS	Standard	RoHS	Standard	RoHS
24	60	241197	973199	241212	973214	241227	973229
36	60	241198	973200	241213	973215	241228	973230
42	60	241199	973201	241214	973216	241229	973231
48	60	241200	973202	241215	973217	241230	973232
110	60	241201	973203	241216	973218	241231	973233
120	60	241202	973204	241217	973219	241232	973234
127	60	241203	973205	241218	973220	241233	973235
220	60	241204	973206	241219	973221	241234	973236
230	60	241205	973207	241220	973222	241235	973237
240	60	241206	973208	241221	973223	241236	973238
380	60	241207	973209	241222	973224	241237	973239
400	60	241208	973210	241223	973225	241238	973240
415	60	241209	973211	241224	973226	241239	973241
440	60	241210	973212	241225	973227	241240	973242
660	60	241211	973213	241226	973228	241241	973243

★ NC1, 12A, main 4N/O (04)

Us (V)	CTN	Order Code					
		50Hz		60Hz		50/60Hz	
		Standard	RoHS	Standard	RoHS	Standard	RoHS
24	60	241242	973244	241256	973259	241270	973274
36	60	241243	973245	241257	973260	241271	973275
42	60	241244	973246	241258	973261	241272	973276
48	60	241245	973247	241259	973262	241273	973277
110	60	241246	973248	241260	973263	241274	973278
120	60	242499	973249	242500	973264	242501	973279
127	60	241247	973250	241261	973265	241275	973280
220	60	241248	973251	241262	973266	241276	973281
230	60	241249	973252	241263	973267	241277	973282
240	60	241250	973253	241264	973268	241278	973283
380	60	241251	973254	241265	973269	241279	973284
400	60	241252	973255	241266	973270	241280	973285
415	60	241253	973256	241267	973271	241281	973286
440	60	241254	973257	241268	973272	241282	973287
660	60	241255	973258	241269	973273	241283	973288

★ NC1, 12A, main 2N/O+2N/C (08)

Us (V)	CTN	Order Code					
		50Hz		60Hz		50/60Hz	
		Standard	RoHS	Standard	RoHS	Standard	RoHS
24	60	241284	973289	241298	973304	241312	973319
36	60	241285	973290	241299	973305	241313	973320
42	60	241286	973291	241300	973306	241314	973321
48	60	241287	973292	241301	973307	241315	973322
110	60	241288	973293	241302	973308	241316	973323
120	60	242502	973294	242503	973309	242504	973324
127	60	241289	973295	241303	973310	241317	973325
220	60	241290	973296	241304	973311	241318	973326
230	60	241291	973297	241305	973312	241319	973327
240	60	241292	973298	241306	973313	241320	973328
380	60	241293	973299	241307	973314	241321	973329
400	60	241294	973300	241308	973315	241322	973330
415	60	241295	973301	241309	973316	241323	973331
440	60	241296	973302	241310	973317	241324	973332
660	60	241297	973303	241311	973318	241325	973333

★ NC1, 12A, main 3N/O+Aux 1N/O (10)

Us (V)	CTN	Order Code					
		50Hz		60Hz		50/60Hz	
		Standard	RoHS	Standard	RoHS	Standard	RoHS
24	60	241326	973334	241341	973349	241356	973364
36	60	241327	973335	241342	973350	241357	973365
42	60	241328	973336	241343	973351	241358	973366
48	60	241329	973337	241344	973352	241359	973367
110	60	241330	973338	241345	973353	241360	973368
120	60	241331	973339	241346	973354	241361	973369
127	60	241332	973340	241347	973355	241362	973370
220	60	241333	973341	241348	973356	241363	973371
230	60	241334	973342	241349	973357	241364	973372
240	60	241335	973343	241350	973358	241365	973373
380	60	241336	973344	241351	973359	241366	973374
400	60	241337	973345	241352	973360	241367	973375
415	60	241338	973346	241353	973361	241368	973376
440	60	241339	973347	241354	973362	241369	973377
660	60	241340	973348	241355	973363	241370	973378

★ NC1, 18A, main 3N/O+Aux 1N/C (01)

Us (V)	CTN	Order Code					
		50Hz		60Hz		50/60Hz	
		Standard	RoHS	Standard	RoHS	Standard	RoHS
24	60	241391	973399	241405	973414	241419	973429
36	60	241392	973400	241406	973415	241420	973430
42	60	241393	973401	241407	973416	241421	973431
48	60	241394	973402	241408	973417	241422	973432
110	60	241395	973403	241409	973418	241423	973433
120	60	242450	973404	242451	973419	242452	973434
127	60	241396	973405	241410	973420	241424	973435
220	60	241397	973406	241411	973421	241425	973436
230	60	241398	973407	241412	973422	241426	973437
240	60	241399	973408	241413	973423	241427	973438
380	60	241400	973409	241414	973424	241428	973439
400	60	241401	973410	241415	973425	241429	973440
415	60	241402	973411	241416	973426	241430	973441
440	60	241403	973412	241417	973427	241431	973442
660	60	241404	973413	241418	973428	241432	973443

★ NC1, 18A, main 3N/O+Aux 1N/O (10)

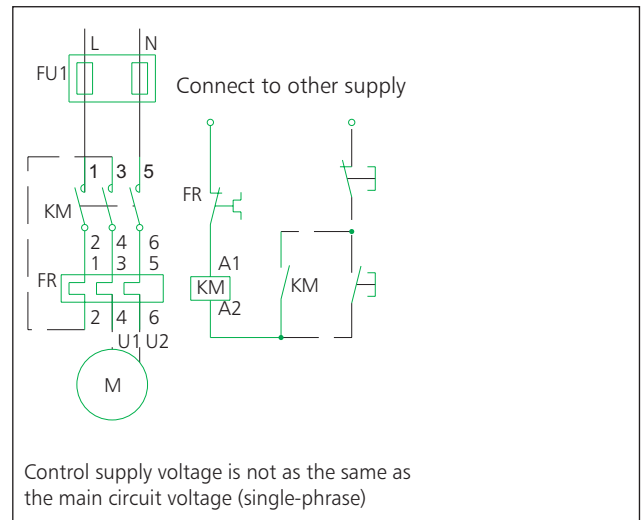
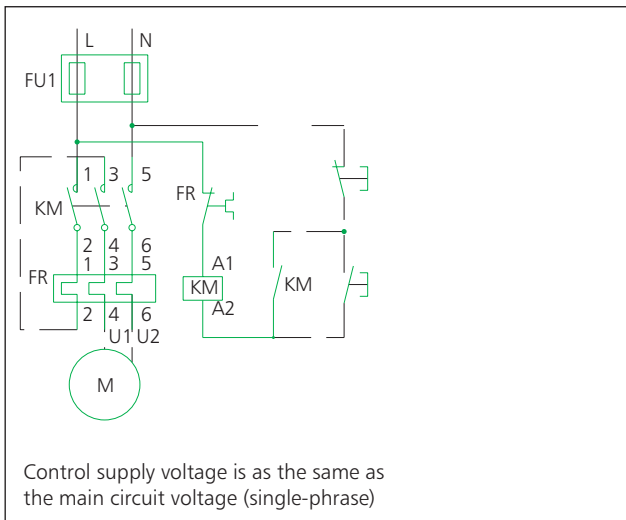
Us (V)	CTN	Order Code					
		50Hz		60Hz		50/60Hz	
		Standard	RoHS	Standard	RoHS	Standard	RoHS
24	60	241433	973444	241447	973459	241461	973474
36	60	241434	973445	241448	973460	241462	973475
42	60	242505	973446	242506	973461	242507	973476
48	60	241435	973447	241449	973462	241463	973477
110	60	241436	973448	241450	973463	241464	973478
120	60	241437	973449	241451	973464	241465	973479
127	60	241438	973450	241452	973465	241466	973480
220	60	241439	973451	241453	973466	241467	973481
230	60	241440	973452	241454	973467	241468	973482
240	60	241441	973453	241455	973468	241469	973483
380	60	241442	973454	241456	973469	241470	973484
400	60	241443	973455	241457	973470	241471	973485
415	60	241444	973456	241458	973471	241472	973486
440	60	241445	973457	241459	973472	241473	973487
660	60	241446	973458	241460	973473	241474	973488

★ NC1, 25A, main 3N/O+Aux 1N/C (01)

Us (V)	CTN	Order Code					
		50Hz		60Hz		50/60Hz	
		Standard	RoHS	Standard	RoHS	Standard	RoHS
24	40	241485	973499	241499	973514	241513	973529
36	40	241486	973500	241500	973515	241514	973530
42	40	241487	973501	241501	973516	241515	973531
48	40	241488	973502	241502	973517	241516	973532
110	40	241489	973503	241503	973518	241517	973533
120	40	242445	973504	242437	973519	242446	973534
127	40	241490	973505	241504	973520	241518	973535
220	40	241491	973506	241505	973521	241519	973536
230	40	241492	973507	241506	973522	241520	973537
240	40	241493	973508	241507	973523	241521	973538
380	40	241494	973509	241508	973524	241522	973539
400	40	241495	973510	241509	973525	241523	973540
415	40	241496	973511	241510	973526	241524	973541
440	40	241497	973512	241511	973527	241525	973542
660	40	241498	973513	241512	973528	241526	973543

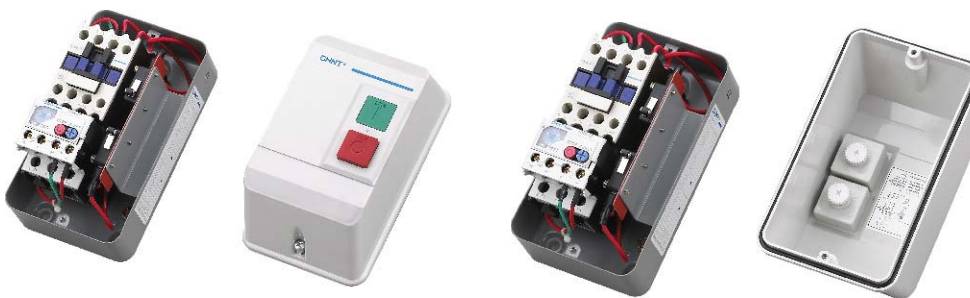
★ NC1, 25A, main 4N/O (04)

Us (V)	CTN	Order Code					
		50Hz		60Hz		50/60Hz	
		Standard	RoHS	Standard	RoHS	Standard	RoHS
24	40	241527	973544	241541	973559	241555	973574
36	40	241528	973545	241542	973560	241556	973575
42	40	241529	973546	241543	973561	241557	973576
48	40	241530	973547	241544	973562	241558	973577
110	40	241531	973548	241545	973563	241559	973578
120	40	242471	973549	242438	973564	242472	973579
127	40	241532	973550	241546	973565	241560	973580
220	40	241533	973551	241547	973566	241561	973581
230	40	241534	973552	241548	973567	241562	973582
240	40	241535	973553	241549	973568	241563	973583
380	40	241536	973554	241550	973569	241564	973584
400	40	241537	973555	241551	973570	241565	973585
415	40	241538	973556	241552	973571	241566	973586
440	40	241539	973557	241553	973572	241567	973587
660	40	241540	973558	241554	973573	241568	973588

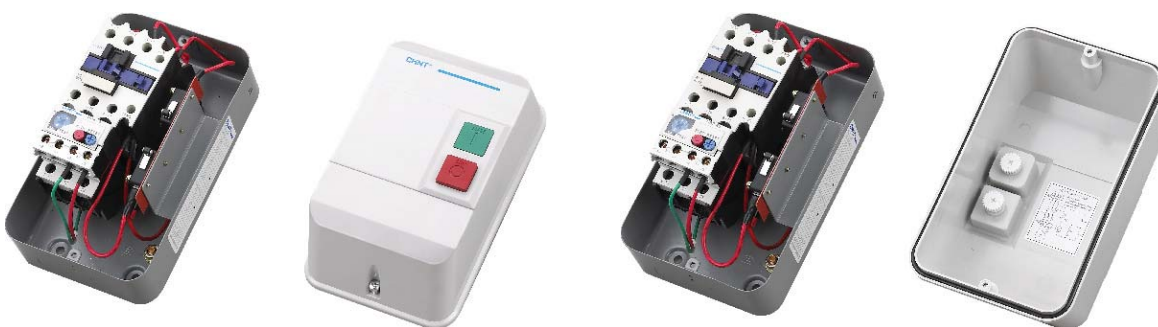


6. Picture

NQ3-5.5P



NQ3-11P



➔ NC1 Contactor

AC coil operation

★ NC1, 9A, main 3N/O+Aux 1N/C (01)

Us (V)	CTN	Order Code					
		50Hz		60Hz		50/60Hz	
		Standard	RoHS	Standard	RoHS	Standard	RoHS
24	60	241001	972999	241016	973014	241033	973029
36	60	241002	973000	241017	973015	241034	973030
42	60	241003	973001	241018	973016	241035	973031
48	60	241004	973002	241019	973017	241036	973032
110	60	241005	973003	241020	973018	241037	973033
120	60	241006	973004	241021	973019	241038	973034
127	60	241007	973005	241022	973020	241039	973035
220	60	241008	973006	241023	973021	241040	973036
230	60	241009	973007	241024	973022	241041	973037
240	60	241010	973008	241025	973023	241042	973038
380	60	241011	973009	241027	973024	241043	973039
400	60	241012	973010	241028	973025	241044	973040
415	60	241013	973011	241029	973026	241045	973041
440	60	241014	973012	241030	973027	241046	973042
480	60	242488		241031		242489	
660	60	241015	973013	241032	973028	241047	973043

★ NC1, 9A, main 4N/O (04)

Us (V)	CTN	Order Code					
		50Hz		60Hz		50/60Hz	
		Standard	RoHS	Standard	RoHS	Standard	RoHS
24	60	241048	973044	241062	973059	241076	973074
36	60	241049	973045	241063	973060	241077	973075
42	60	241050	973046	241064	973061	241078	973076
48	60	241051	973047	241065	973062	241079	973077
110	60	241052	973048	241066	973063	241080	973078
120	60	242482	973049	242483	973064	242484	973079
127	60	241053	973050	241067	973065	241081	973080
220	60	241054	973051	241068	973066	241082	973081
230	60	241055	973052	241069	973067	241083	973082
240	60	241056	973053	241070	973068	241084	973083
380	60	241057	973054	241071	973069	241085	973084
400	60	241058	973055	241072	973070	241086	973085
415	60	241059	973056	241073	973071	241087	973086
440	60	241060	973057	241074	973072	241088	973087
480	60	242490		242491		242492	
660	60	241061	973058	241075	973073	241089	973088

★ NC1, 9A, main 2N/O+2N/C (08)

Us (V)	CTN	Order Code					
		50Hz		60Hz		50/60Hz	
		Standard	RoHS	Standard	RoHS	Standard	RoHS
24	60	241090	973089	241104	973104	241118	973119
36	60	241091	973090	241105	973105	241119	973120
42	60	241092	973091	241106	973106	241120	973121
48	60	241093	973092	241107	973107	241121	973122
110	60	241094	973093	241108	973108	241122	973123
120	60	242485	973094	242486	973109	242487	973124
127	60	241095	973095	241109	973110	241123	973125
220	60	241096	973096	241110	973111	241124	973126
230	60	241097	973097	241111	973112	241125	973127
240	60	241098	973098	241112	973113	241126	973128
380	60	241099	973099	241113	973114	241127	973129
400	60	241100	973100	241114	973115	241128	973130
415	60	241101	973101	241115	973116	241129	973131
440	60	241102	973102	241116	973117	241130	973132
480	60	242493		242494		242495	
660	60	241103	973103	241117	973118	241131	973133

★ NC1, 9A, main 3N/O+Aux 1N/O (10)

Us (V)	CTN	Order Code					
		50Hz		60Hz		50/60Hz	
		Standard	RoHS	Standard	RoHS	Standard	RoHS
24	60	241132	973134	241147	973149	241162	973164
36	60	241133	973135	241148	973150	241163	973165
42	60	241134	973136	241149	973151	241164	973166
48	60	241135	973137	241150	973152	241165	973167
110	60	241136	973138	241151	973153	241166	973168
120	60	241137	973139	241152	973154	241167	973169
127	60	241138	973140	241153	973155	241168	973170
220	60	241139	973141	241154	973156	241169	973171
230	60	241140	973142	241155	973157	241170	973172
240	60	241141	973143	241156	973158	241171	973173
380	60	241142	973144	241157	973159	241172	973174
400	60	241143	973145	241158	973160	241173	973175
415	60	241144	973146	241159	973161	241174	973176
440	60	241145	973147	241160	973162	241175	973177
480	60	242496		242497		242498	
660	60	241146	973148	241161	973163	241176	973178



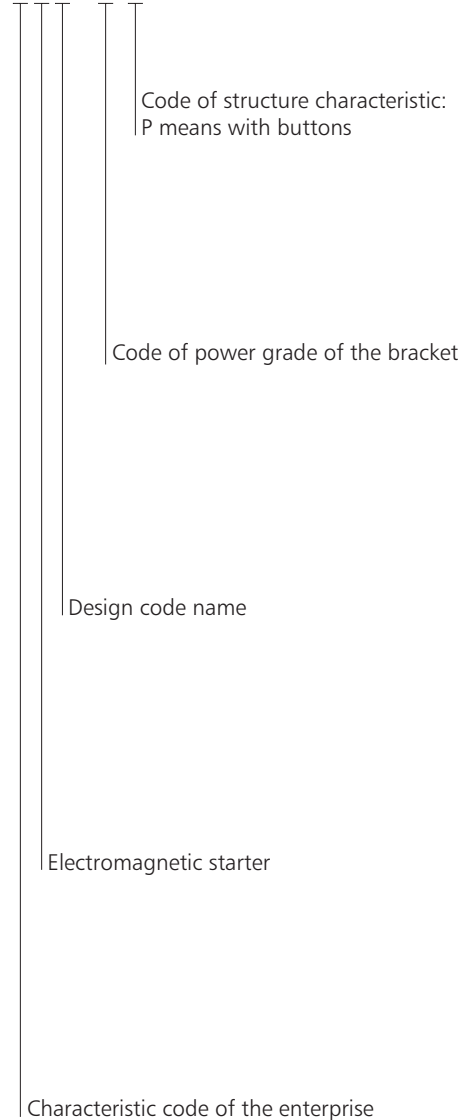
NQ3 Series DOL Electromagnetic Starter

1. General

- 1.1 NQ3 series electromagnetic starter ("starter" for short hereinafter) applies mainly to circuit with AC current of 50Hz (or 60Hz), rated operational voltage of 660V and rated controlled power up to 11kW (current up to 22A) for using to control the direct start and halt of the electromotor to protect the motor from overload and phase failure.
- 1.2 The starter conforms to standards IEC/EN60947-4-1

2. Type designation

N Q 3 - □ P



3. Technical data

Altitude: not exceeding 2000m;
 Temperature of ambient air: -5°C ~ +40°C
 Rated control supply voltage (AC 50Hz):
 24V, 36V, 48V, 110V, 127V, 220V, 380V, 415V
 Mechanical life: 1,000,000 circles;
 Electric life: 500,000 circles;
 IP55

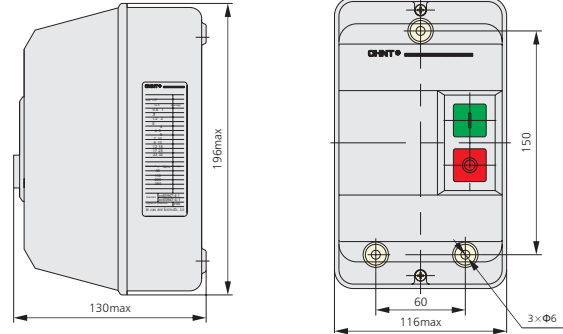
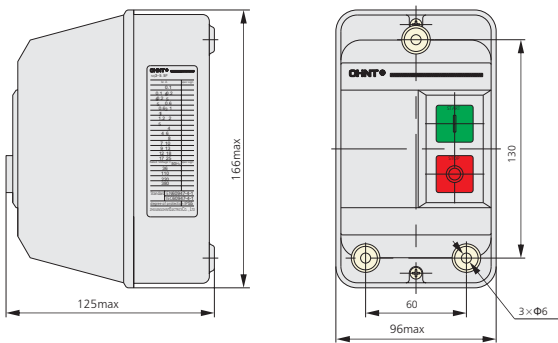
Table 1 Basic Model and main technical parameter of the starter

Model	Rated working current (A)	Maximum rated Power (kW)			Model of equipped AC contactor	TOR matched	Range of setting current A
		AC-3					
		660V	380V	220V			
NQ3-5.5P	12	7.5	5.5	3	NC1-1810	NR2-25	0.1~0.16 0.16~0.25 0.25~0.4 0.4~0.63 0.63~1 1~1.6 1.25~2 1.6~2.5 2.5~4 4~6 5.5~8 7~10
NQ3-11P	22	15	11	5.5	NC1-3210		9~13 12~18 17~25

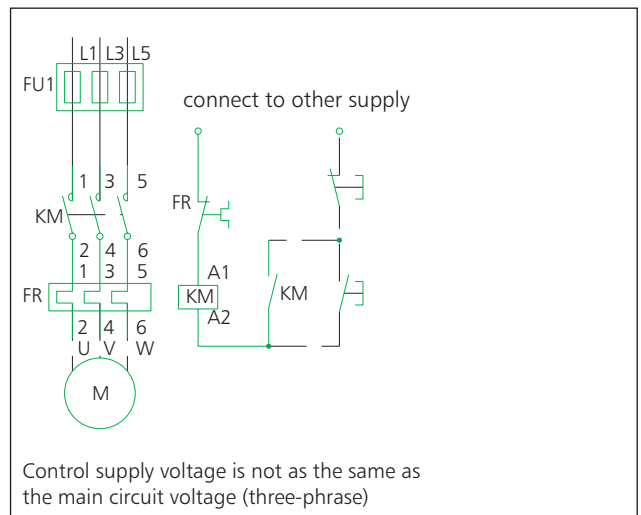
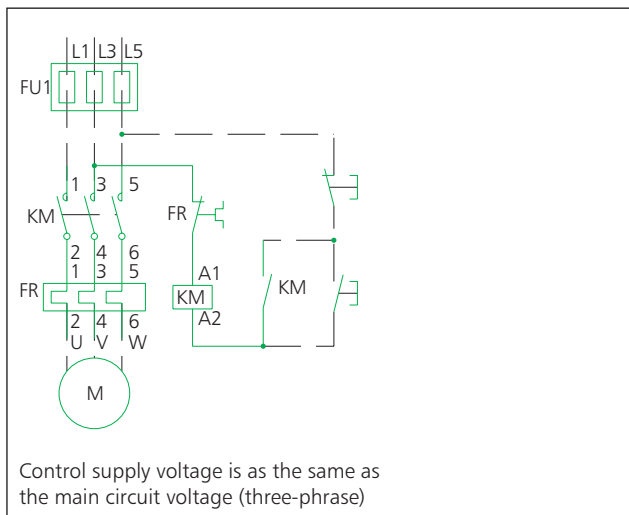
4. Overall and mounting dimension (mm)

NQ3-5.5P

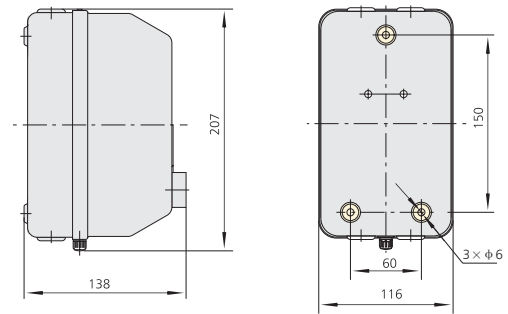
NQ3-11P



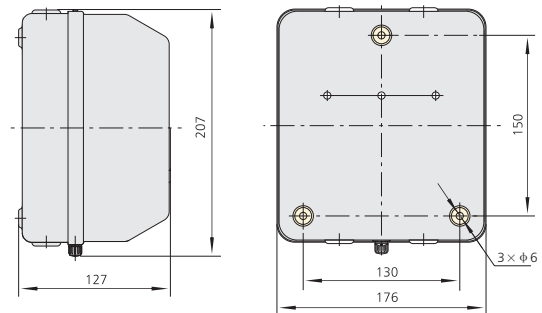
5. Wiring Diagram



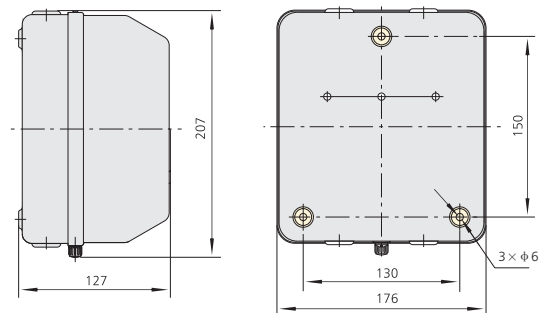
NQ2-15P



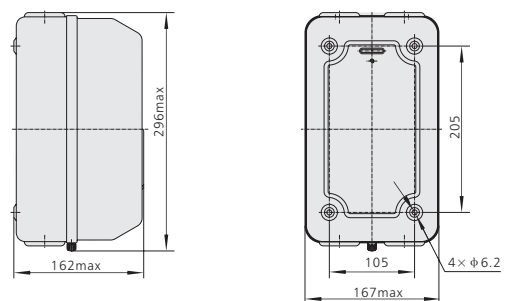
NQ2-15N

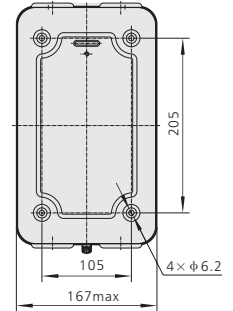
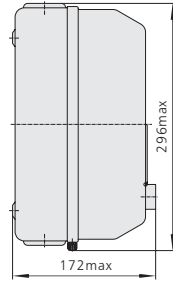


NQ2-15NB

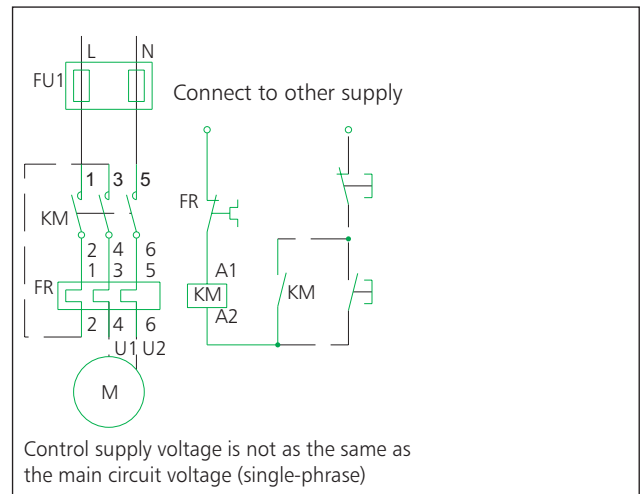
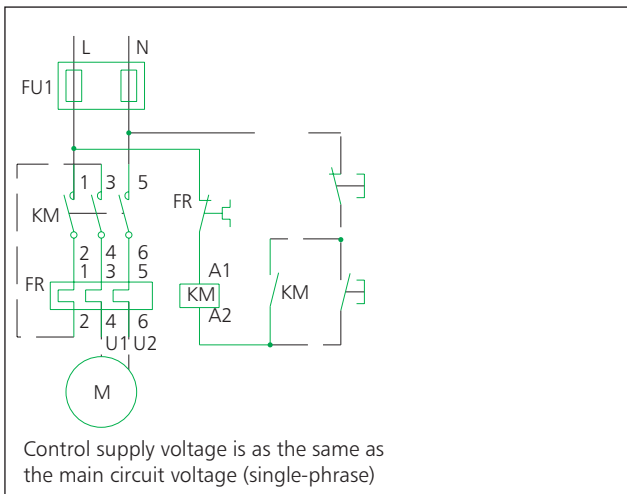
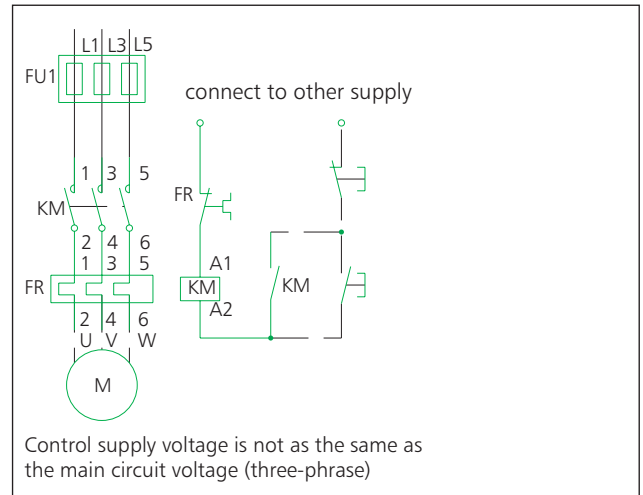
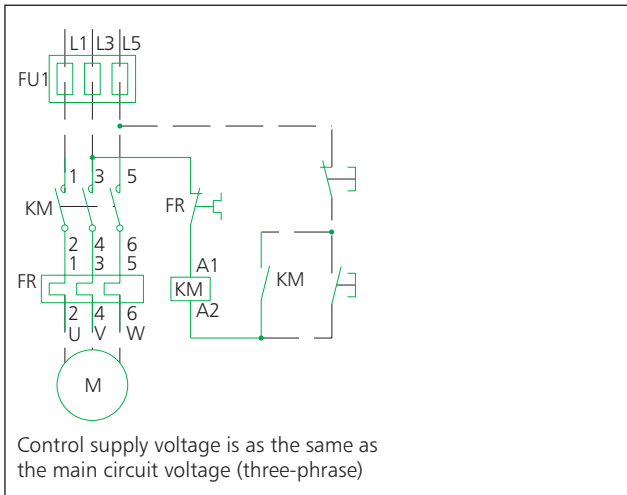


NQ2-33





5. Wiring Diagram



3. Technical data

3.1 NQ2-15, 33

Model	Conventional heating current I _{th} (A)	Rated operational current I _e (A)	Rated power (AC-3)			Model of matched contactor	Model of matched relay	Range of setting current (A)
			(kW)					
			660V	380V	220V			
NQ2-15/1	13	12	7.5	5.5	3	NC1-1210	NR2-25	0.1~0.16 0.16~0.25 0.25~0.4 0.4~0.63 0.63~1 1~1.6 1.25~2 1.6~2.5 2.5~4 4~6 5.5~8 7~10 9~13 12~18 17~25
NQ2-15/2	18	18	10	7.5	4	NC1-1810	NR2-25	23~32
NQ2-15/3	25	25	15	11	5.5	NC1-2510		28~36
NQ2-15/4	36	32	18.5	15	7.5	NC1-3210	NR2-36	23~32 30~40 37~50 48~65 55~70 63~80
NQ2-33/1	52	52	33	25	15	NC1-6511	NR2-93	23~32 30~40 37~50 48~65 55~70 63~80
NQ2-33/2	68	68	37	33	25	NC1-9511		

3.2 NQ2-15P, 33P

Model	Conventional heating current I _{th} (A)	Rated operational current I _e (A)	Rated power (AC-3)			Model of matched contactor	Model of matched relay	Model of matched pushbutton	Range of setting current (A)
			(kW)						
			660V	380V	220V				
NQ2-15P/1	13	12	7.5	5.5	3	NC1-1210	NR2-25	Start: NP2-EA31 Stop: NP2-EA42	0.1~0.16 0.16~0.25 0.25~0.4 0.4~0.63 0.63~1 1~1.6 1.25~2 1.6~2.5 2.5~4 4~6 5.5~8 7~10 9~13 12~18 17~25 23~32 28~36
NQ2-15P/2	18	18	10	7.5	4	NC1-1810	NR2-36		23~32 30~40 37~50 48~65 55~70 63~80
NQ2-15P/3	25	25	15	11	5.5	NC1-2510			
NQ2-15P/4	36	32	18.5	15	7.5	NC1-3210			
NQ2-33P/1	52	52	33	25	15	NC1-6511	NR2-93		
NQ2-33P/2	68	68	37	33	25	NC1-9511			

3.3 NQ2-15 N

Model	Conventional heating current I _{th} (A)	Rated operational current I _e (A)	Rated power (AC-3)			Model of matched contactor	Model of matched relay	Range of setting current (A)
			(kW)					
			660V	380V	220V			
NQ2-15N/1	13	12	7.5	5.5	3	NC1-1210	NR2-25	0.1~0.16 0.16~0.25 0.25~0.4 0.4~0.63 0.63~1 1~1.6 1.25~2 1.6~2.5 2.5~4 4~6 5.5~8 7~10 9~13 12~18 17~25
NQ2-15N/2	18	18	10	7.5	4	NC1-1810	NR2-25	12~18
NQ2-15N/3	25	25	15	11	5.5	NC1-2510		17~25
NQ2-15N/4	36	32	18.5	15	7.5	NC1-3210	NR2-36	23~32 28~36

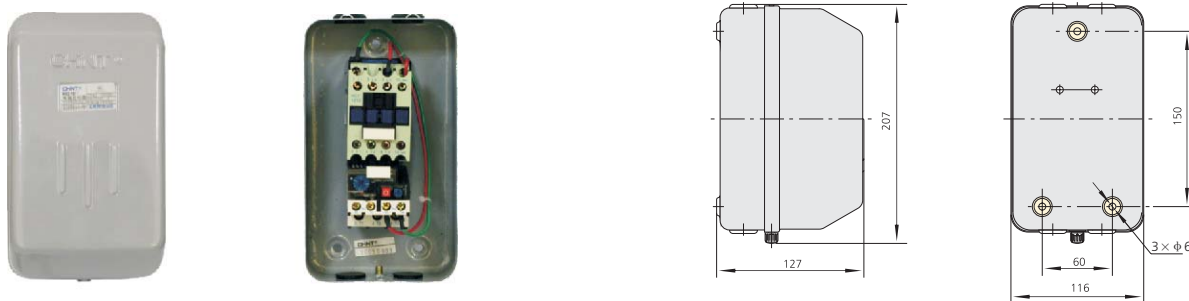
3.4 NQ2-15NB

Model	Conventional heating current I _{th} (A)	Rated operational current I _e (A)	Rated power (AC-3)			Model of matched contactor
			(kW)			
			660V	380V	220V	
NQ2-15NB/1	13	12	7.5	5.5	3	NC1-1201N
NQ2-15NB/2	18	18	10	7.5	4	NC1-1801N
NQ2-15NB/3	25	25	15	11	5.5	NC1-2501N
NQ2-15NB/4	36	32	18.5	15	7.5	NC1-3201N

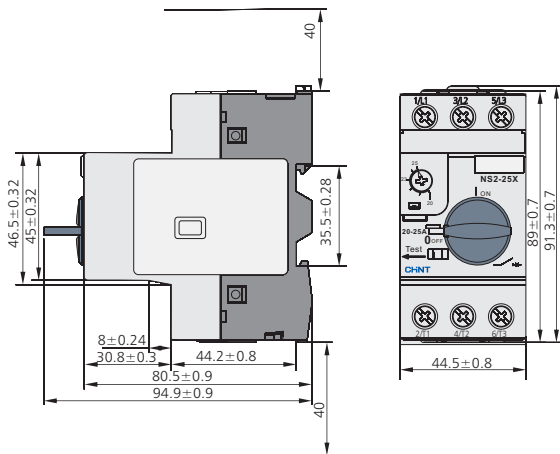
Altitude: not exceeding 2000m; Temperature of ambient air: -5°C~+40°C
 Rated control supply voltage (AC 50Hz): 24V, 36V, 48V, 110V, 127V, 220V, 380V, 415V
 Mechanical life: 1,000,000 circles; Electric life: 500,000 circles; IP40

4. Overall and mounting dimensions (mm)

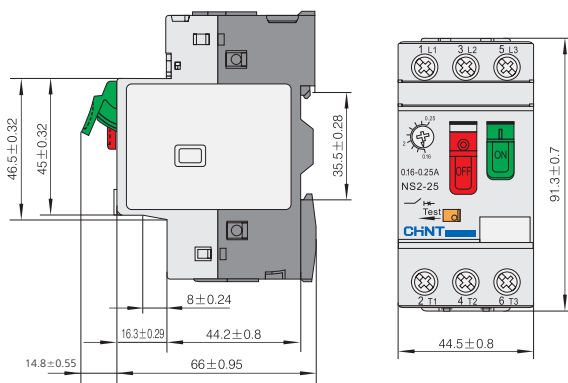
NQ2-15



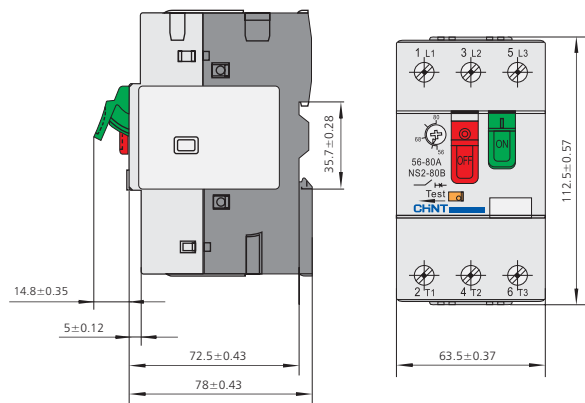
NS2-25X



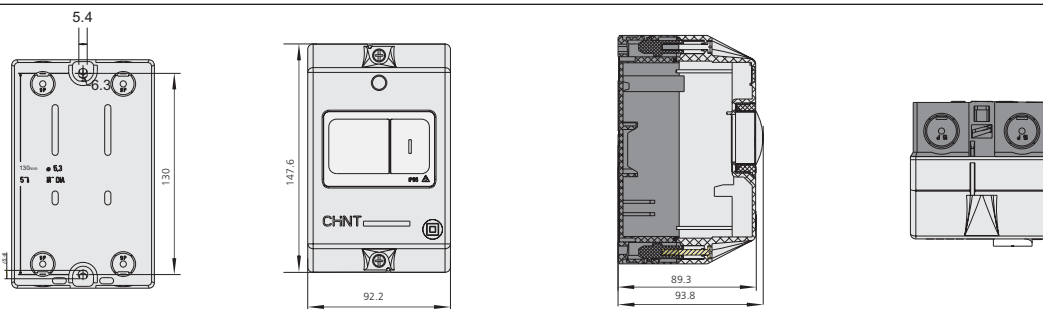
NS2-25



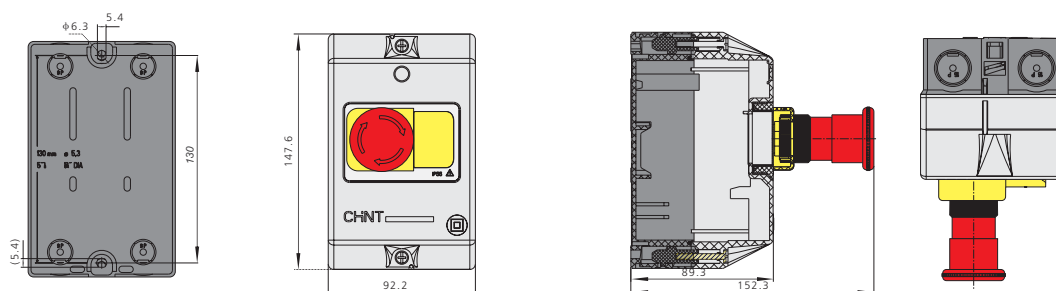
NS2-80B



NS2-MC



NS2-MC01



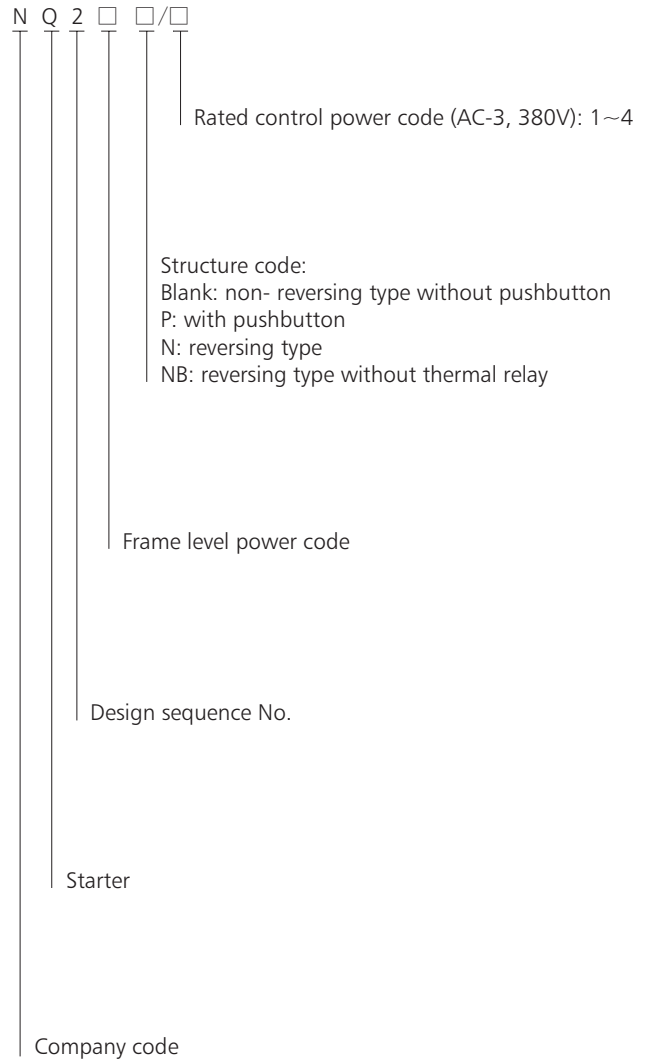


NQ2 Direct On-line Starter

1. General

- 1.1 NQ2 series electromagnetic starter ("starter" for short hereinafter) applies mainly to circuit with AC current of 50Hz (or 60Hz), rated operational voltage of 660V and rated controlled power up to 33kW (current up to 68A) for using to control the direct start and halt of the electromotor to protect the motor from overload and phase failure.
- 1.2 The starter conforms to standards IEC/EN60947-4-1

2. Type designation



5. Accessories

5.1 Under-voltage release



Rated insulation voltage $U_i(V)$	Voltage range of operation	Model	Specification
690	35%~70% U_e	NS2-UV110	110~115V 50Hz
690	35%~70% U_e	NS2-UV110	127V 60Hz
690	35%~70% U_e	NS2-UV220	220~240V 50Hz
690	35%~70% U_e	NS2-UV380	380~400V 50Hz
690	35%~70% U_e	NS2-UV380	440V 60Hz

5.2 Shunt release



Rated insulation voltage $U_i(V)$	Voltage range of operation	Model	Specification
690	70%~110% U_e	NS2-SH110	110~115V 50Hz
690	70%~110% U_e	NS2-SH110	127V 60Hz
690	70%~110% U_e	NS2-SH220	220~240V 50Hz
690	70%~110% U_e	NS2-SH380	380~400V 50Hz
690	70%~110% U_e	NS2-SH380	440V 60Hz

5.3 Instantaneous auxiliary contact

5.3.1 NS2-AE20, NS2-AE11



Rated insulation voltage $U_i(V)$	Conventional heating current $I_{th}(A)$	Model	Configuration
250	2.5	NS2-AE20	2N/O
250	2.5	NS2-AE11	1N/O+1N/C

Application class, rated operational voltage and tated operational current of instantaneous auxiliary contact

Utilization category	AC-15				DC-13		
	Rated operational voltage $U_e(V)$	24	48	110/127	230/240	24	48
Rated operational current $I_e(A)$	2	1.25	1	0.5	1	0.3	0.15
Normal operational power $P(W)$	48	60	127	120	24	15	9

5.3.2 NS2-AU20, NS2-AU11



Rated insulation voltage $U_i(V)$	Conventional heating current $I_{th}(A)$	Model	Configuration
690	6	NS2-AU20	2N/O
690	6	NS2-AU11	1N/O+1N/C

Note: NS2-80B temporarily only has NS2-AU auxiliary contact, which is for NS2-80B special use.

Application class, rated operational voltage and rated operational current of instantaneous auxiliary contact

Utilization category	AC-15						
	Rated operational voltage $U_e(V)$	48	110/127	230/240	380/415	440	500
Rated operational current $I_e(A)$	6	4.5	3.3	2.2	1.5	1	0.6
Normal operational power $P(W)$	300	500	720	850	650	500	400

Utilization category	DC-13				
	Rated operational voltage $U_e(V)$	24	48	60	110
Rated operational current $I_e(A)$	6	5	3	1.3	0.5
Normal operational power $P(W)$	140	240	180	140	120

5.4 Fault signal contact and instantaneous auxiliary contact

	Rated insulation voltage $U_i(V)$	Conventional heating current $I_{th}(A)$		Model	Configuration
		Instantaneous auxiliary contact	Fault signal contact		
	690	6	2.5	NS2-FA0110	1N/C+1N/O
	690	6	2.5	NS2-FA0101	1N/C+1N/C
690	6	2.5	NSE-FA1010	1N/O+1N/O	
690	6	2.5	NS2-FA1001	1N/O+1N/C	

Application class, rated working voltage and rated operational current of fault signal contact

Application class	AC-14				DC-13		
	Rated operational voltage $U_e(V)$	24	48	110/127	230/240	24	48
Rated operational current $I_e(A)$	1.5	1	0.5	0.3	1	0.3	0.15
Normal operational power $P(W)$	36	48	72	72	24	15	9
Operation features (times)	1000	1000	1000	1000	1000	1000	1000

Capacity of abnormal connection and disconnection of fault signal contact and insrantaneous auxiliary contact

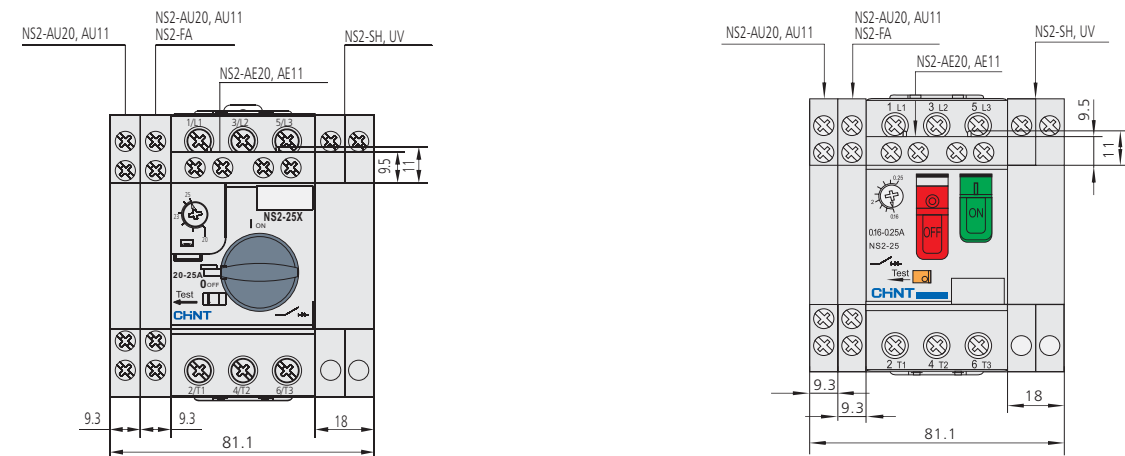
Utilization category	Connection			Disconnection			Number of on/off operation cycles and operation frequency		
	I/I_e	U/U_e	$\text{Cos } \phi$ or $t_{0.95}$	I/I_e	U/U_e	$\text{Cos } \phi$ or $t_{0.95}$	Number of operation cycles	Number of operation cycles per min.	On power time
AC-14	6	1.1	0.7	6	1.1	0.7	10	2	0.05
AC-15	10	1.1	0.3	10	1.1	0.3	10	2	0.05
DC-13	1.1	1.1	6Pe	1.1	1.1	6Pe	10	2	0.05

Note: $P_e \geq 50W$, upper limit of $T_{0.95} \approx 6 Pe \leq 300ms$.


5.5 Installation box for NS2-25

	NS2-MC Installation box without pushbutton	IP55
	NS2-MC01 Installation box with emergency pushbutton	IP55

6. Overall and mounting dimension (mm)



4.3 Technical parameters

Model			NS2-25, NS2-25X			
Picture						
Rated insulation voltage U_i (V)			690			
Rated operational voltage U_e (V)			230/240, 400/415, 440, 500, 690			
Rated impulse withstand voltage U_{imp} (V)			8000			
Regulating rang of setting current (A)			9~14	13~18	17~23	20~25
Rated current of release			14	18	23	25
Rated ultimate short-circuit breaking capacity I_{cu} (kA)	230/240V		100	100	50	50
	400/415V		15	15	15	15
	440V		8	8	6	6
	480/500V		6	6	4	4
	660/690V		3	3	3	3
Rated service short-circuit breaking capacity I_{cs} (kA)	230/240V		100	100	50	50
	400/415V		7.5	7.5	6	6
	440V		4	4	3	3
	500V		4.5	4.5	3	3
	660/690V		2.25	2.25	2.25	2.25
Arcing distance (mm)			40	40	40	40
Standard rated power of three-phase motor (kW)	230/240V		3	4	5.5	5.5
	400V		5.5	7.5	11	11
	415V		5.5	9	11	11
	440V		7.5	9	11	11
	500V		7.5	9	11	15
	660/690V		9	11	15	18.5
Current setting value of instantaneous electromagnetic release I_r (A)			170	223	327	327
Current rating of fuse-link of back-up fuse, which is only needed in case of $I_{cc} > I_{cu}$ (I_{cc} : prospective short-circuit breaking current)	230/240V	aM A	★	★	80	80
		gI/gG A	★	★	100	100
	400/415V	aM A	63	63	80	80
		gI/gG A	80	80	100	100
	440V	aM A	50	50	63	63
		gI/gG A	63	63	80	80
	500V	aM A	50	50	50	50
		gI/gG A	63	63	63	63
★: fuse is not required	690V	aM A	40	40	40	40
		gI/gG A	50	50	50	50
Degree of Protection			IP2L0	IP2L0	IP2L0	IP2L0

NS2-80B




690

230/240, 400/415

8000

	16~25	25~40	40~63	56~80
	25	40	63	80
	-	-	-	-
	15	15	15	15
	-	-	-	-
	-	-	-	-
	-	-	-	-
	7.5	7.5	7.5	7.5
	-	-	-	-
	-	-	-	-
	-	-	-	-
	50	50	50	50
	5.5	11	15	22
	11	18.5	30	40
	11	22	33	45
	-	-	-	-
	-	-	-	-
	-	-	-	-
	327	480	756	960
	★	★	★	★
	★	★	★	★
	250	250	315	315
	315	315	400	400
	-	-	-	-
	-	-	-	-
	-	-	-	-
	-	-	-	-
	-	-	-	-
	-	-	-	-
	IP2L0	IP2L0	IP2L0	IP2L0

4.2 Technical parameters

Model			NS2-25, NS2-25X			
Picture						
Rated insulation voltage U_i (V)			690			
Rated operational voltage U_e (V)			230/240, 400/415, 440, 500, 690			
Rated impulse withstand voltage U_{imp} (V)			8000			
Regulating rang of setting current (A)			0.1~0.16	0.16~0.25	0.25~0.4	0.4~0.63
Rated current of release			0.16	0.25	0.4	0.63
Rated ultimate short-circuit breaking capacity I_{cu} (kA)	230/240V		100	100	100	100
	400/415V		100	100	100	100
	440V		100	100	100	100
	480/500V		100	100	100	100
	660/690V		100	100	100	100
Rated service short-circuit breaking capacity I_{cs} (kA)	230/240V		100	100	100	100
	400/415V		100	100	100	100
	440V		100	100	100	100
	480/500V		100	100	100	100
	660/690V		100	100	100	100
Arcing distance (mm)			40	40	40	40
Standard rated power of three-phase motor (kW)	230/240V		-	-	-	-
	400V		-	-	-	-
	415V		-	-	-	-
	440V		-	-	-	-
	500V		-	-	-	-
	660/690V		-	-	-	0.37
Current setting value of instantaneous electromagnetic release I_r (A)			1.5	2.4	5	8
Current rating of fuse-link of back-up fuse, which is only needed in case of $I_{cc} > I_{cu}$ (I_{cc} : prospective short-circuit breaking current)	230/240V	aM A	★	★	★	★
		gI/gG A	★	★	★	★
	400/415V	aM A	★	★	★	★
		gI/gG A	★	★	★	★
	440V	aM A	★	★	★	★
		gI/gG A	★	★	★	★
	500V	aM A	★	★	★	★
		gI/gG A	★	★	★	★
★: fuse is not required	690V	aM A	★	★	★	★
		gI/gG A	★	★	★	★
Degree of protection			IP2L0	IP2L0	IP2L0	IP2L0

NS2-25, NS2-25X



690

230/240, 400/415, 440, 500, 690

8000

0.63~1	1~1.6	1.6~2.5	2.5~4	4~6.3	6~10
1	1.6	2.5	4	6.3	10
100	100	100	100	100	100
100	100	100	100	100	100
100	100	100	100	50	15
100	100	100	100	50	10
100	100	3	3	3	3
100	100	100	100	100	100
100	100	100	100	100	100
100	100	100	100	50	15
100	100	100	100	50	10
100	100	2.25	2.25	2.25	2.25
40	40	40	40	40	40
-	-	0.37	0.75	1.1	2.2
-	0.37	0.75	1.5	2.2	4
-	-	0.75	1.5	2.2	4
0.37	0.55	1.1	1.5	3	4
0.37	0.75	1.1	2.2	3.7	5.5
0.55	1.1	1.5	3	4	7.5
13	22.5	33.5	51	78	138
★	★	★	★	★	★
★	★	★	★	★	★
★	★	★	★	★	★
★	★	★	★	★	★
★	★	★	★	50	50
★	★	★	★	63	63
★	★	★	★	50	50
★	★	★	★	63	63
★	★	16	25	32	32
★	★	20	32	40	40
IP2L0	IP2L0	IP2L0	IP2L0	IP2L0	IP2L0



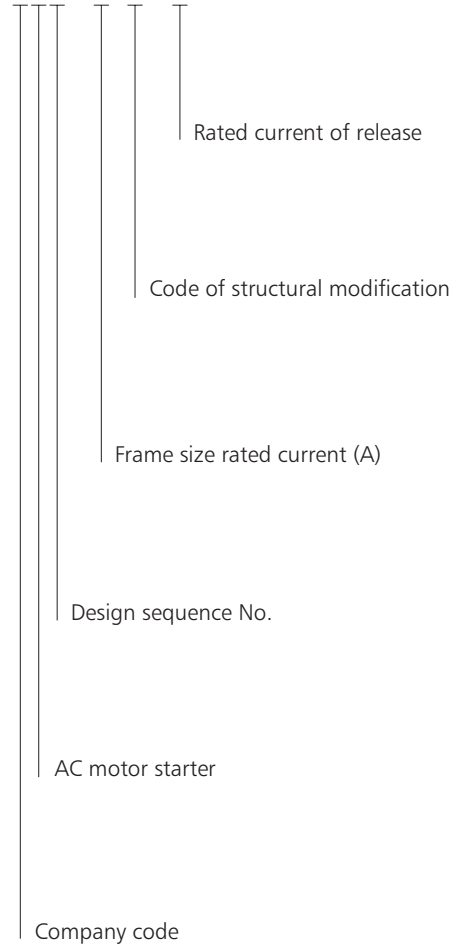
NS2 Manual Motor Starter

1. General

- 1.1 Certificates: SEMKO, CE, ESC, UkrSEPRO, GOST, RCC, UL;
- 1.2 Electric ratings: AC690V, 25A, 80A;
- 1.3 Standard: IEC/EN 60947-2, IEC60947-4-1

2. Type designation

NS2 - □ □ / □



3. Operating conditions

- 3.1 Temperature: $-5^{\circ}\text{C} \sim +40^{\circ}\text{C}$, average temperature in 24 hours not exceed $+35^{\circ}\text{C}$
- 3.2 Altitude: not exceed 2000m
- 3.3 Air conditions: At mounting site, relative humidity not exceed 50% at the max temperature of $+40^{\circ}\text{C}$, higher relative humidity is allowable under lower temperature, for example, RH could be 90% at $+20^{\circ}\text{C}$
- 3.4 Pollution grade: Grade III
- 3.5 Release grade: 10A(NS2-25, NS2-25X)
10 (NS2-80B)
- 3.6 Rated operational system: Continuous operational system
- 3.7 Mounting conditions: The inclination between the mounting plane and the vertical plane shall not exceed 5°
The product shall be installed and operated at a place without obvious shake, impact and vibration.



4. Technical data

4.1 Protection properties

Over-load Protection Properties

Series No.	Multiple of setting current	Initial status	Time		Expected results	Ambient temperature
1	1.05	Cold status	$t \geq 2h$		Non-tripping	$+20^{\circ}\text{C} \pm 2^{\circ}\text{C}$
2	1.20	Heat status (right after test.1)	$t < 2h$		Tripping	$+20^{\circ}\text{C} \pm 2^{\circ}\text{C}$
3	1.50	Heat status (right after test.1)	Tripping class	10A $t < 2\text{min}$	Tripping	$+20^{\circ}\text{C} \pm 2^{\circ}\text{C}$
		10 $t < 4\text{min}$				
4	7.20	Cold status	Tripping class	10A $2s < t \leq 10s$	Tripping	$+20^{\circ}\text{C} \pm 2^{\circ}\text{C}$
		10 $4s < t \leq 10s$				

Phase failure protection properties

Series No.	Multiple of setting current		Initial status	Time	Expected results	Ambient temperature
	Any 2 phase	The other phase				
1	1.0	0.9	Cold status	$t \geq 2h$	Non-tripping	$+20^{\circ}\text{C} \pm 2^{\circ}\text{C}$
2	1.15	0	Heat status (right after test.1)	$t < 2h$	Tripping	$+20^{\circ}\text{C} \pm 2^{\circ}\text{C}$



Temperature compensation properties

Series No.	Multiple of setting current	Initial status	Time	Expected results	Ambient temperature
1	1.0	Cold status	$t \geq 2h$	Non-tripping	$+40^{\circ}\text{C} \pm 2^{\circ}\text{C}$
2	1.2	Heat status (right after test.1)	$t < 2h$	Tripping	$+40^{\circ}\text{C} \pm 2^{\circ}\text{C}$
3	1.5	Heat status (through 1.0 times rated current ,after thermal equilibrium is reached)	$t < 2\text{min}$	Tripping	$+40^{\circ}\text{C} \pm 2^{\circ}\text{C}$
4	1.05	Cold status	$t \geq 2h$	Non-tripping	$-5^{\circ}\text{C} \pm 2^{\circ}\text{C}$
5	1.3	Heat status (right after test.3)	$t < 2h$	Tripping	$-5^{\circ}\text{C} \pm 2^{\circ}\text{C}$
6	1.5	Heat status (through 1.0 times rated current ,after thermal equilibrium is reached)	$t < 4\text{min}$	Tripping	$-5^{\circ}\text{C} \pm 2^{\circ}\text{C}$

7. Accessories

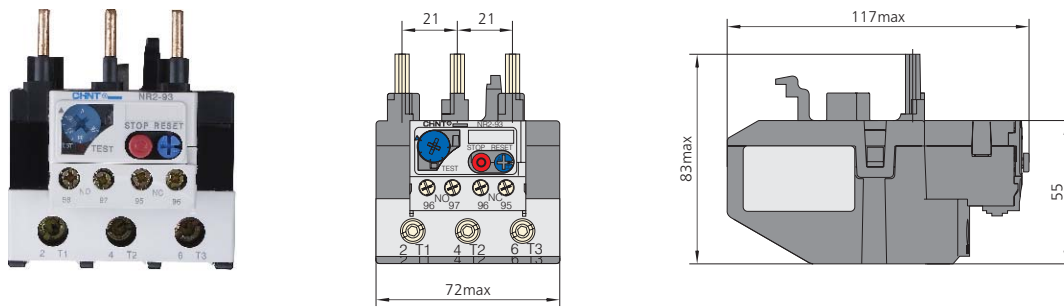
No.		Description	Application
1		Mounting block for NR2-11.5	Incorporate with NR2-11.5 relay to form an independently mounted product
2		Mounting block for NR2-25	Incorporate with NR2-25 relay to form an independently mounted product
3		Mounting block for NR2-36	Incorporate with NR2-36 relay to form an independently mounted product
4		Mounting block for NR2-93	Incorporate with NR2-93 relay to form an independently mounted product

8. Assembly with contactor

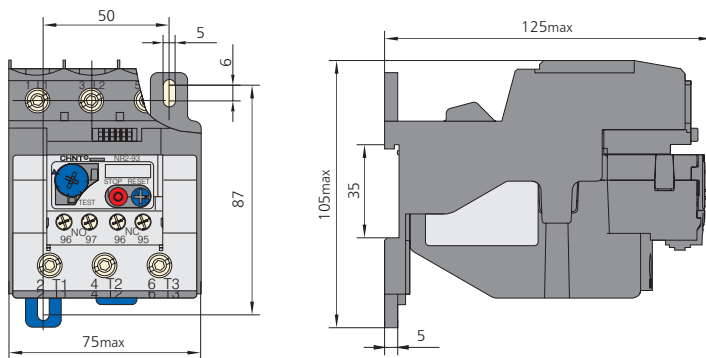
Model of overload relay	Rated current (A)	Recommended fuse type (RT16 is recommended)		Model of contactor
		aM	gG	
 NR2-11.5	0.1~0.16	0.25	2	NC6-09
	0.16~0.25	0.5	2	
	0.25~0.4	1	2	
	0.4~0.63	1	2	
	0.63~1	2	4	
	1~1.6	2	4	
	1.25~2	4	6	
	1.6~2.5	4	6	
	2.5~4	6	10	
	4~6	8	16	
 NR2-25	5.5~8	12	20	NC1-09 NC1-12 NC1-18 NC1-25 NC1-32 NC7-09~18 NC7-25~32
	7~10	12	20	
	9~13	16	25	
	0.1~0.16	0.25	2	
	0.16~0.25	0.5	2	
	0.25~0.4	1	2	
	0.4~0.63	1	2	
	0.63~1	2	4	
	1~1.6	2	4	
	1.25~2	4	6	
	1.6~2.5	4	6	
	2.5~4	6	10	
	4~6	8	16	
	5.5~8	12	20	
	7~10	12	20	
9~13	16	25		
12~18	20	35		
17~25	25	50		

Model of overload relay	Rated current (A)	Recommended fuse type (RT16 is recommended)		Model of contactor
		aM	gG	
 NR2-36	23~32	40	63	NC1-32 NC7-32~38
	28~36	40	80	
 NR2-93	23~32	40	63	NC1-40
	30~40	40	100	NC1-50
	37~50	63	100	NC1-65
	48~65	63	100	NC1-80
	55~70	80	125	NC1-95
	63~80	80	125	NC7-40~65
80~93	100	160	NC7-80~95	
 NR2-150 (matched with NC2)	80~104	125	200	NC2-115 NC2-150
	95~120	125	224	
	110~150	160	250	
 NR2-150 (matched with NC7)	80~104	125	200	NC7-115 NC7-150 NC7-170
	95~120	125	224	
	110~150	160	250	
 NR2-200	80~125	125	200	NC2-115 NC7-115~170 NC2-150 NC7-205 NC2-185 NC2-225
	100~160	160	250	
	125~200	200	315	
 NR2-630	160~250	250	400	NC2-185 NC7-205~300 NC2-225 NC7-410~475 NC2-265 NC7-620 NC2-330 NC2-400 NC2-500 NC2-630
	200~315	315	500	
	250~400	400	630	
	315~500	500	800	
	400~630	630	800	

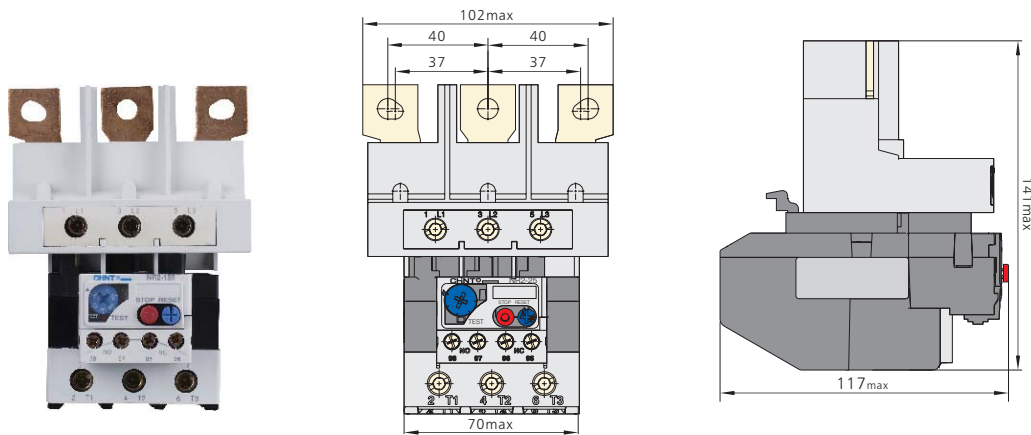
NR2-93



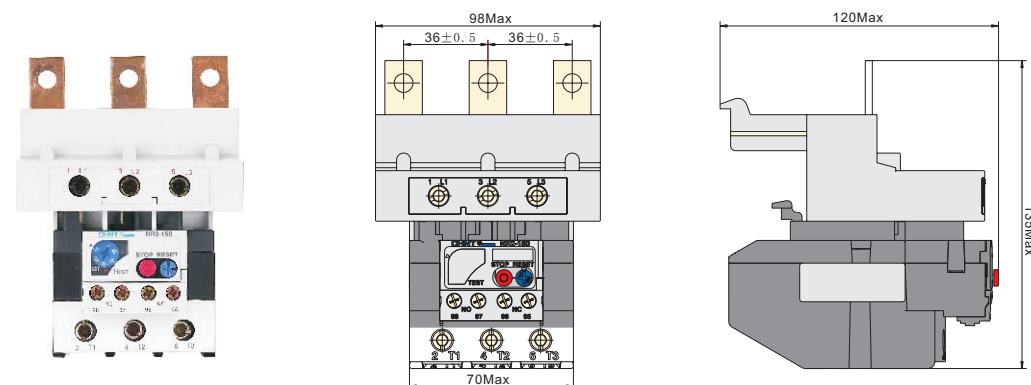
NR2-93 with Mounting Block

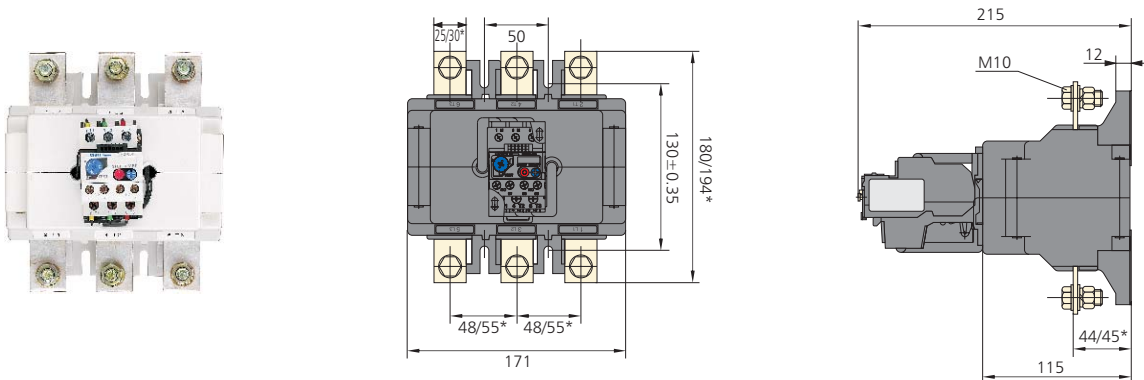
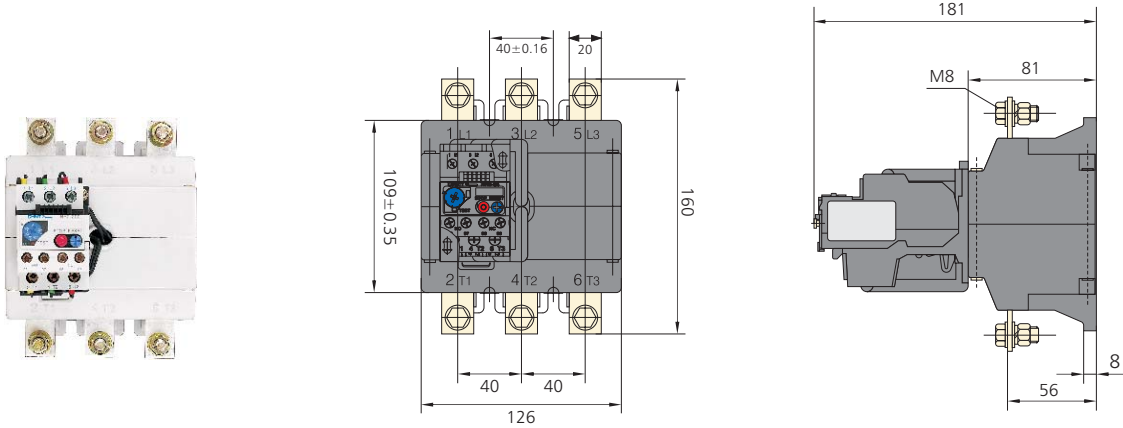


NR2-150 (matched with NC2)



NR2-150 (matched with NC7)





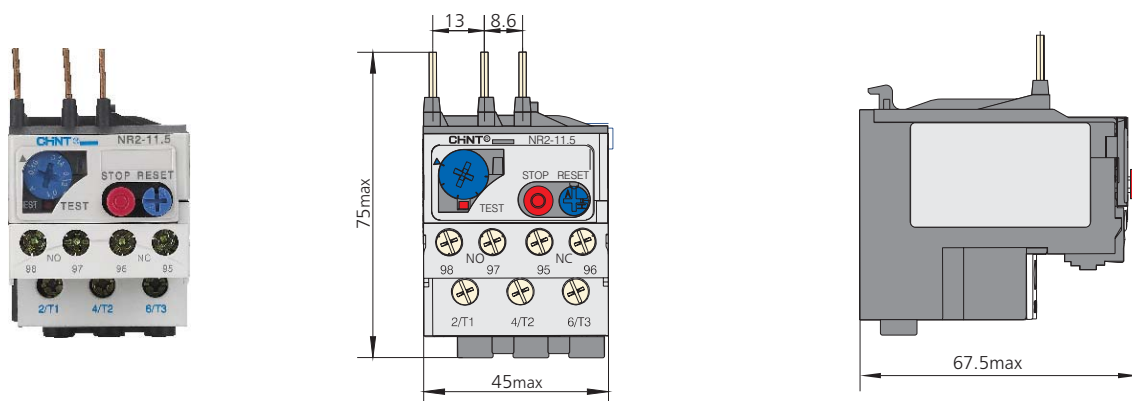
Note: Dimension with "*" for the product over 400A.

6. Wiring

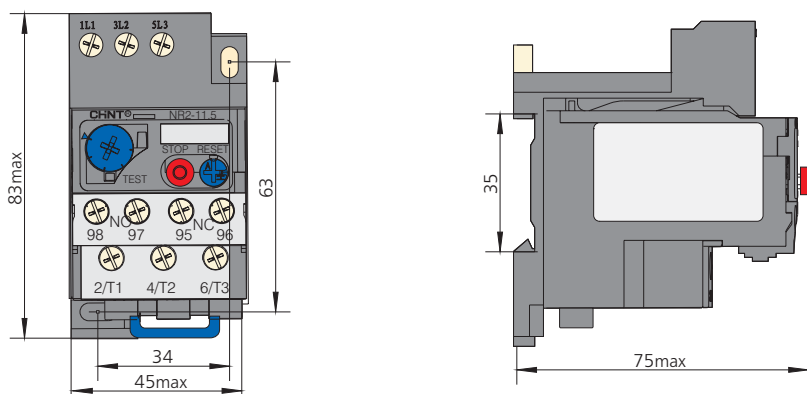
Items			NR2-11.5	NR2-25	NR2-36	NR2-93	NR2-150	NR2-200	NR2-630
Cross section area of conductor mm ²	Main circuit	Single core or stranded wire	1~4	1~4	4~10	4~35	25~95	25~95	70~2×240
		Wiring screw	M3.5	M4	M4	M10	M6/M8	M8	M10
	Auxiliary circuit	Single core or stranded wire	0.5~2.5	0.5~2.5	0.5~2.5	0.5~2.5	0.5~2.5	0.5~2.5	0.5~2.5
		Wiring screw	M3.5	M3.5	M3.5	M3.5	M3.5	M3.5	M3.5

5. Overall and mounting dimensions (mm)

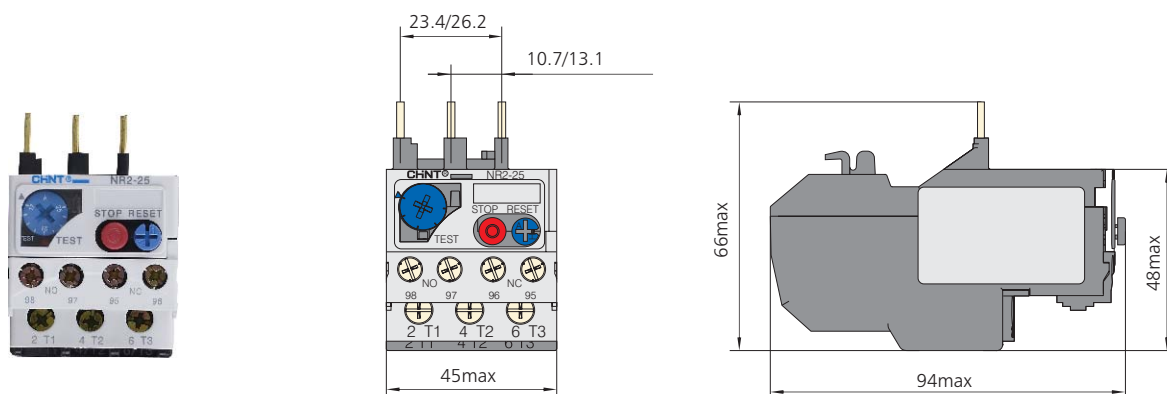
NR2-11.5



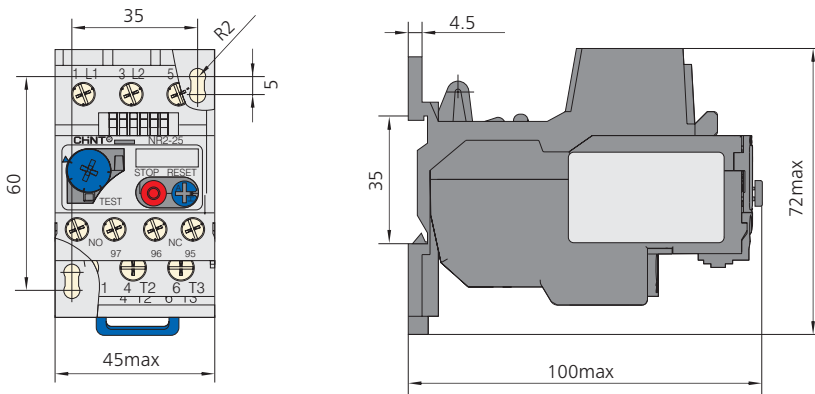
NR2-11.5 with Mounting Block



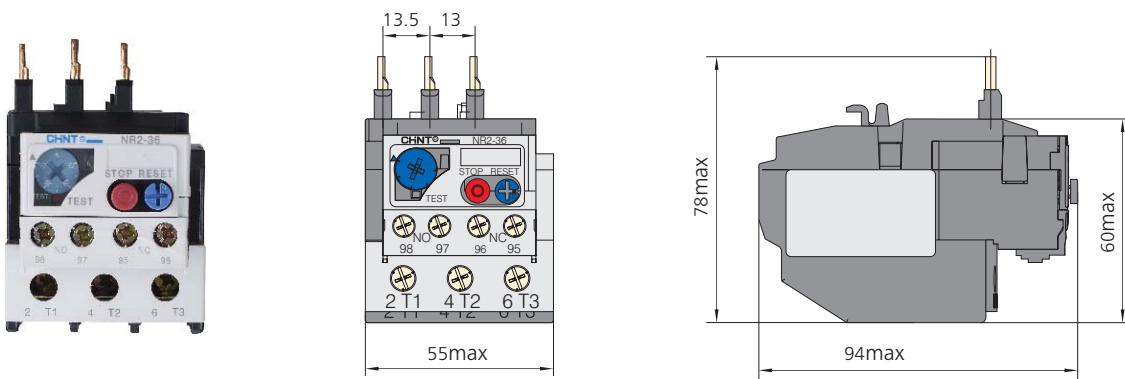
NR2-25



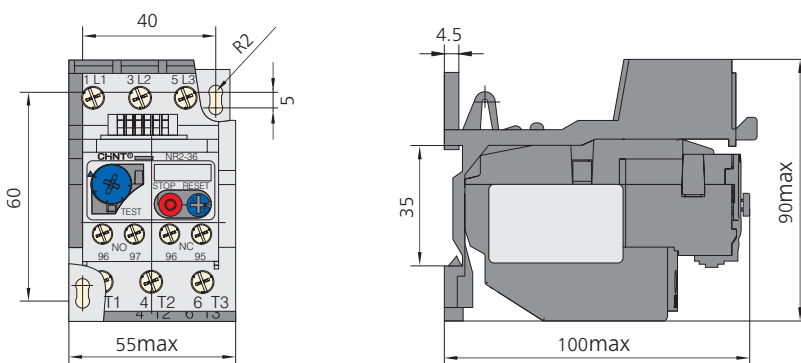
NR2-25 with Mounting Block




NR2-36




NR2-36 with Mounting Block



4.2 Main Technical Parameters

Model		NR2-11.5						
Picture								
Current class(A)		13						
Phase failure protection function		Yes						
Automatic & manual reset		Yes						
Temperature compensation		Yes						
Tripping indicator		Yes						
Test & stop pushbutton		Yes						
Mounting mode	Plug-in	Yes						
	Independent	Yes						
Auxiliary contacts	No. of contacts	1N/O+1N/C						
	Rated current (A) (AC-15 220V)	2.73						
	Rated current (A) (AC-15 380V)	1.58						
	Rated current (A) (DC-13 220V)	0.2						
		Current setting range						
Rated operational current(A)		0.1~0.16	0.16~0.25	0.25~0.40	0.40~0.63	0.63~1	1~1.6	1.25~2
Matched fuse	aM(A)	0.25	0.5	1	1	2	2	4
	gG(A)	2	2	2	2	4	4	6

Model		NR2-93						
Picture								
Current class(A)		93						
Phase failure protection function		Yes						
Automatic & manual reset		Yes						
Temperature compensation		Yes						
Tripping indicator		Yes						
Test & stop pushbutton		Yes						
Mounting mode	Plug-in	Yes						
	Independent	Yes						
Auxiliary contacts	Configuration of contacts	1N/O+1N/C						
	Rated current (A) (AC-15 220V)	2.73						
	Rated current (A) (AC-15 380V)	1.58						
	Rated current (A) (DC-13 220V)	0.2						
		Current setting range						
Rated operational current(A)		23~32	30~40	37~50	48~65	55~70	63~80	80~93
Matched fuse	aM(A)	40	40	63	63	80	80	100
	gG(A)	63	100	100	100	125	125	160

NR2-25								NR2-36	
25								36	
Yes								Yes	
Yes								Yes	
Yes								Yes	
Yes								Yes	
Yes								Yes	
Yes								Yes	
Yes								Yes	
1N/O+1N/C								1N/O+1N/C	
2.73								2.73	
1.58								1.58	
0.2								0.2	
Current setting range								Current setting range	
1.6~2.5	2.5~4	4~6	5.5~8	7~10	9~13	12~18	17~25	23~32	28~36
4	6	8	12	12	16	20	25	40	40
6	10	16	20	20	25	35	50	63	80

NR2-150			NR2-200			NR2-630				
150			200			630				
Yes			Yes			Yes				
Yes			Yes			Yes				
Yes			Yes			Yes				
Yes			Yes			Yes				
Yes			Yes			Yes				
Yes			No			No				
No			Yes			Yes				
1N/O+1N/C			1N/O+1N/C			1N/O+1N/C				
2.73			2.73			2.73				
1.58			1.58			1.58				
0.2			0.2			0.2				
Current setting range			Current setting range			Current setting range				
80~104	95~120	110~150	80~125	100~160	125~200	160~250	200~315	250~400	315~500	400~630
125	125	160	125	160	200	250	315	400	500	630
200	224	250	200	250	315	400	500	630	800	800

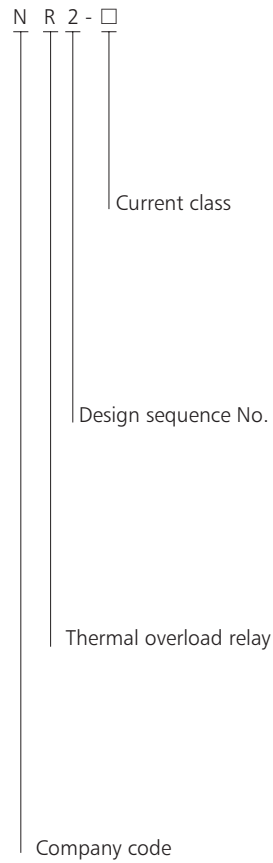


NR2 Thermal Overload Relay

1. General

- 1.1 Certificates: CE, KEMA, UkrSEPRO, GOST, RCC, UL;
- 1.2 Electric ratings: AC 50/60Hz, 690V, 0.1A~630A;
- 1.3 Tripping class: 10A;
- 1.4 Mounting version:
 - a. Plug-in: Available for NR2-11.5, 25, 36, 93, 150;
 - b. Independent: Available for NR2-200, 630;
- 1.5 Standard: IEC/EN 60947-4-1

2. Type designation



3. Features

- 3.1 3-phase bimetal
- 3.2 Continuously readjustable current settings
- 3.3 Temperature compensation
- 3.4 Tripping indicator
- 3.5 Test button
- 3.6 Stop button
- 3.7 Manual and automatic reset button
- 3.8 Electrically separated 1N/O plus 1N/C contact

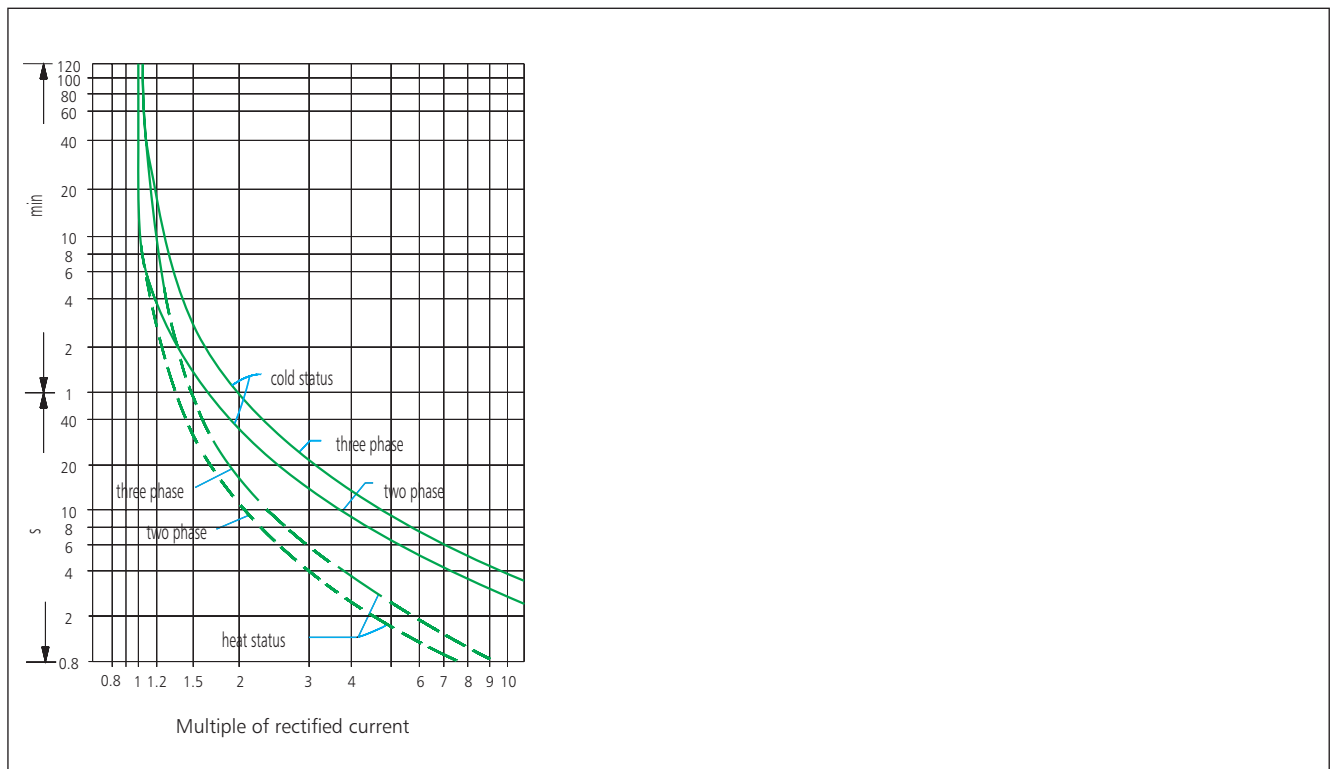


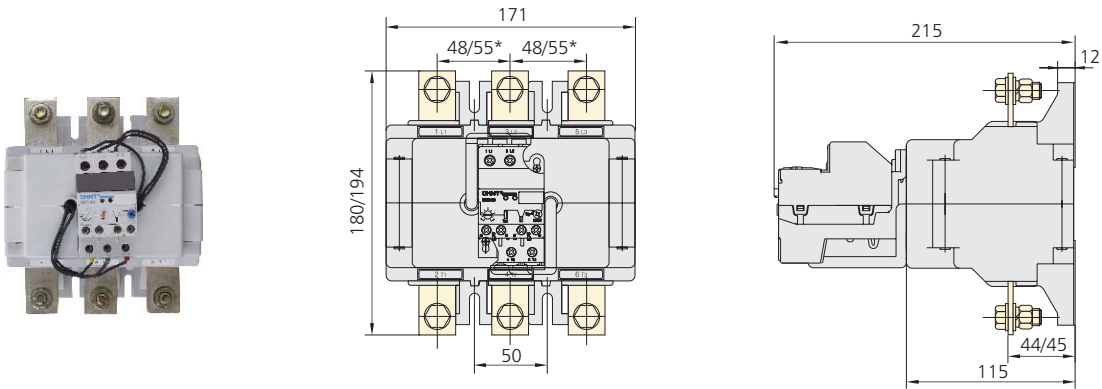
4. Technical data

4.1 Protection properties

Item	Series No.	I/In		Operating time T_p	Test condition
Overload protection	1	1.05		$> 2 \text{ h}$	Start from cold status
	2	1.2		$\leq 2 \text{ h}$	Start from heat status, right after item No.1
	3	1.5		$\leq 2 \text{ min}$	Start from heat status, right after item No.1
	4	7.2		$2\text{s} < T_p \leq 10\text{s}$	Start from cold status
Phase failure protection	5	Any two phases	Another phase	$> 2 \text{ h}$	Start from cold status
		1.0	0.9		
	6	1.15	0	$\leq 2 \text{ h}$	Start from heat status, right after item No.5

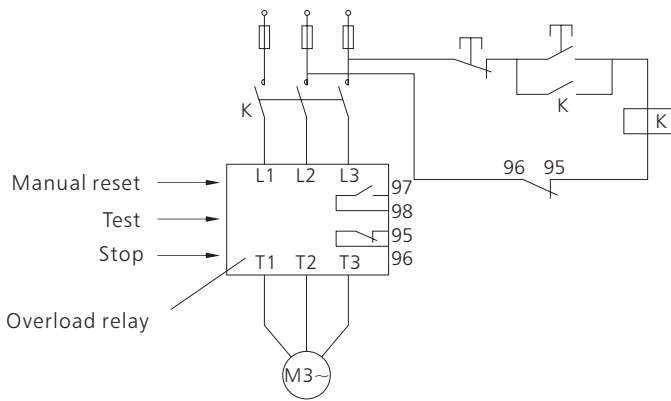
Curves







Note: Dimension with "*" for the product above 400A.

6. Applications








7. Accessories

7.1 Mounting base

Mounting base	Description	Application
	NRE8-25 mounting bracket	Incorporates with NRE8-25 to form an independently mounted product
	NRE8-40 mounting bracket	Incorporates with NRE8-40 to form an independently mounted product

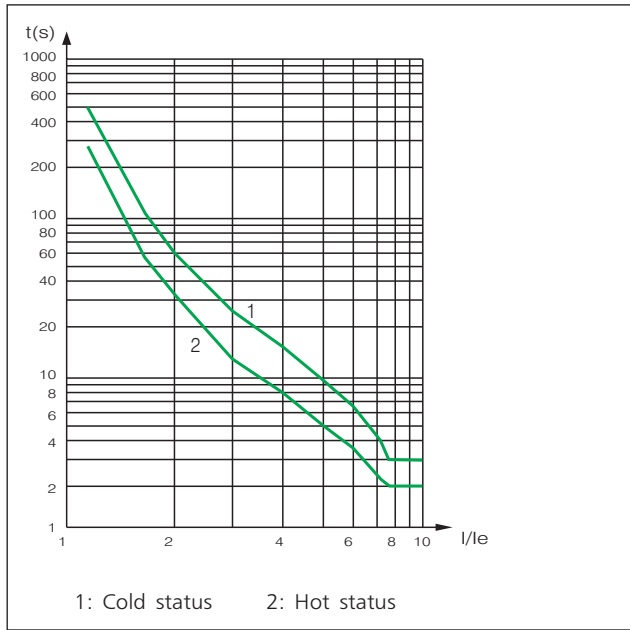
Note: NRE8-100 without mounting bracket

7.2 Assembly with contactors

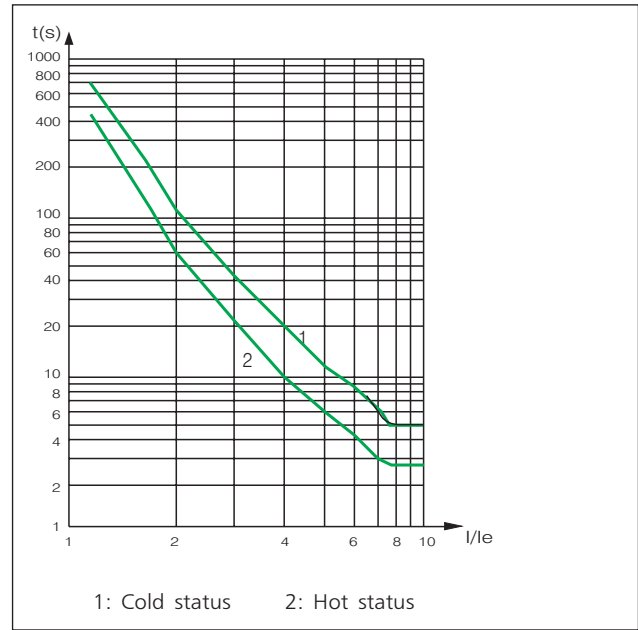
Thermal overload Relay	Rated current (A)	Current setting range (A)	Model of recommended contactor	Model of recommended fuse
 NRE8-25	1.2	0.6~1.2	NC1-09~18 NC1-25~32 NC7-09~18 NC7-25~32	RT36-4 (NT00-4)
	2.4	1.2~2.4		RT36-6 (NT00-6)
	4	2~4		RT36-10 (NT00-10)
	8	4~8		RT36-16 (NT00-16)
	10	5~10		RT36-20 (NT00-20)
	12	7~12		RT36-25 (NT00-25)
	20	10~20		RT36-40 (NT00-40)
	25	20~25		RT36-50 (NT00-50)
 NRE8-40	4	2~4	NC1-40~65 NC1-32~38 NC1-40~65	RT36-10 (NT00-10)
	8	4~8		RT36-16 (NT00-16)
	10	5~10		RT36-20 (NT00-20)
	20	10~20		RT36-40 (NT00-40)
	40	20~40		RT36-80 (NT00-80)
 NRE8-100	65	30~65	NC1-40~65, NC7-40~65 NC8-40~65	RT36-160 (NT00-160)
	100	50~100	NC1-80~95, NC7-80~95 NC8-80~100	RT36-200 (NT1-200)
 NRE8-200	120	85~120	NC2-115, NC2-150 NC2-185, NC2-225	RT36-250 (NT1-250)
	160	110~160		RT36-315 (NT2-315)
	200	140~200		RT36-400 (NT2-400)
 NRE8-630	250	170~250	NC2-225, NC2-265 NC2-330, NC2-400 NC2-500, NC2-630	RT36-500 (NT3-500)
	315	215~315		RT36-630 (NT3-630)
	400	275~400		RT36-800 (NT4-800)
	500	340~500		RT36-1000 (NT4-1000)
	630	430~630		RT36-1000 (NT4-1000)

4.5 Tripping Curve

Tripping class 10A



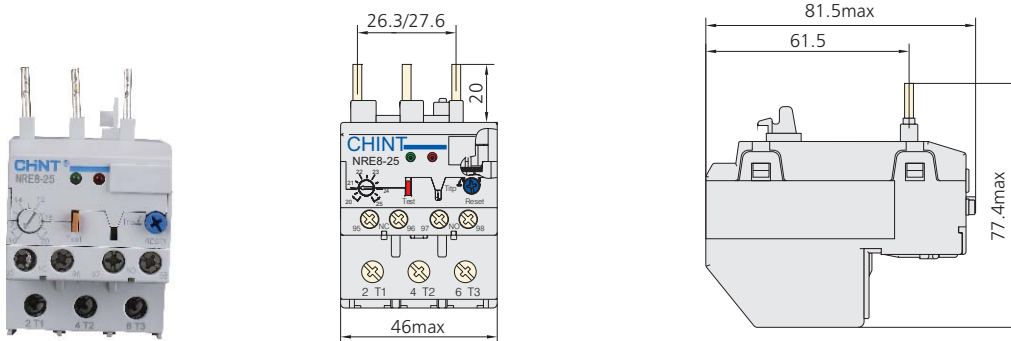
Tripping class 10A



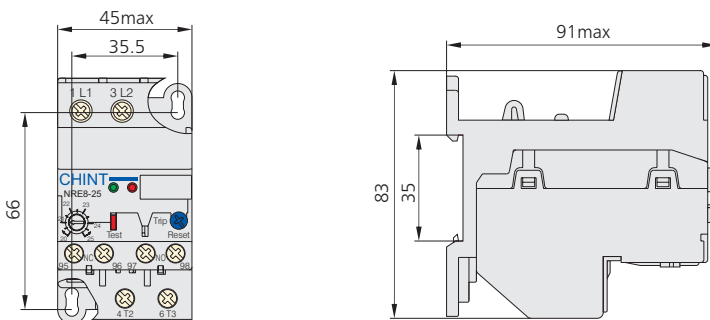
5. Overall and mounting dimensions (mm)

5.1 For Combined Mounting

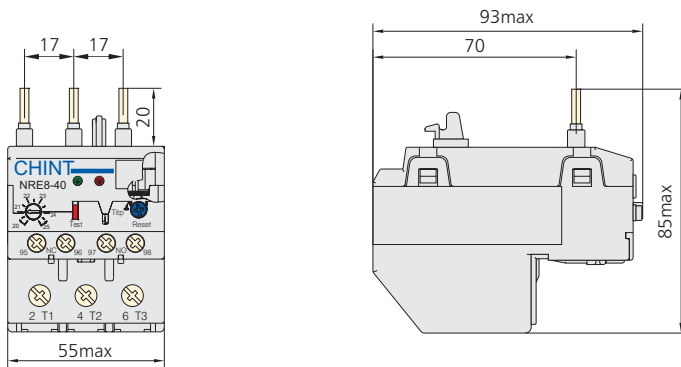
NRE8-25



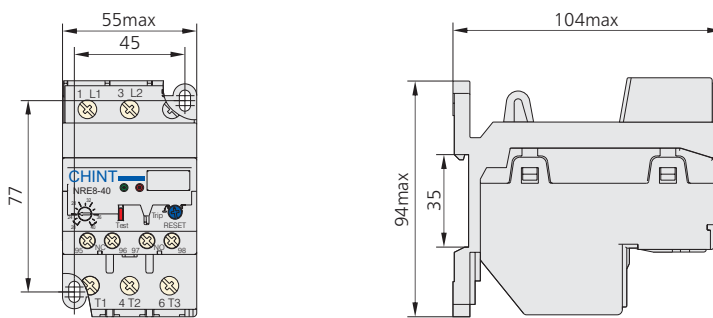
NRE8-25/F



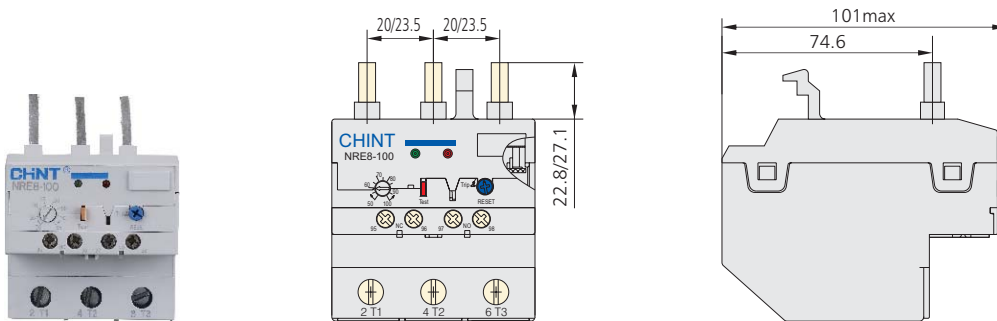
NRE8-40



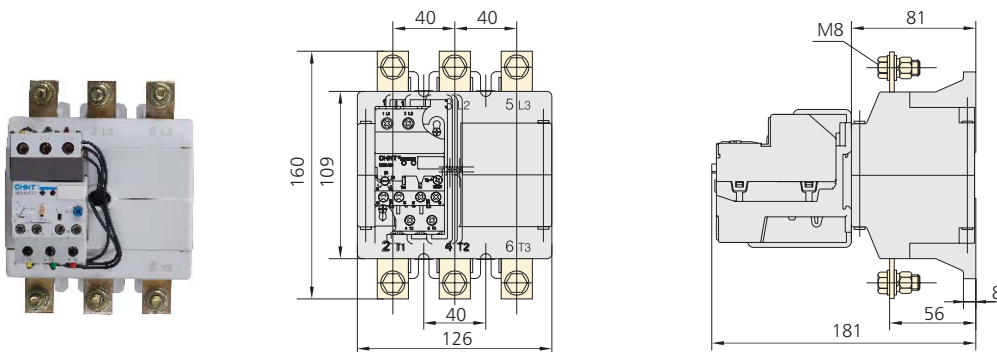
NRE8-40/F



NRE8-100



NRE8-200





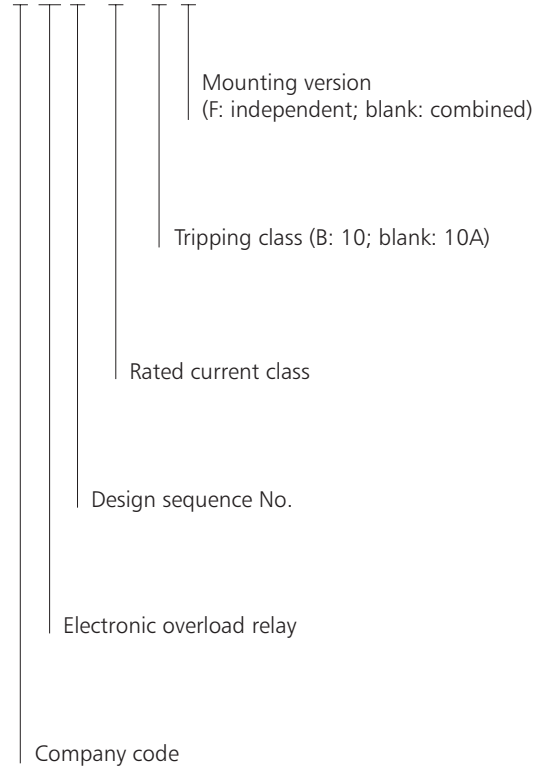
NRE8 Electronic Overload Relay

1. General

- 1.1 Certificates: CE, UKrSEPRO, UL;
- 1.2 Electrical ratings: AC50/60Hz, 690V;
- 1.3 Standards: IEC/EN 60947-4-1, UL508

2. Type designation

N RE 8 - □ / □ □



3. Features

- 3.1 Three-phase electronic type, tripping class 10A and 10;
- 3.2 Energy saving up to 80% compared with bimetallic type;
- 3.3 Phase-failure protection;
- 3.4 Current setting continuously adjustable;
- 3.5 Two indicator lights available for indicating normal, overload time-delay, phase-failure and phase-failure time-delay status respectively;
- 3.6 Manual test mechanism;
- 3.7 Manual reset button;
- 3.8 A pair of N/C and N/O contacts;
- 3.9 Two mounting versions: independent or combined with a contactor.

4. Technical data

- 4.1 Main Circuit: Rated insulation; Voltage: AC 690V; Rated frequency: 50/60Hz;
- 4.2 Auxiliary Circuit: Rated insulation; Voltage: AC 400V; Rated frequency: 50/60Hz; See table below for other ratings.

Utilization category	AC-15		DC-13
Rated operational voltage Ue (V)	230	400	220
Rated operational current Ie (A)	2.5	1.5	0.2
Conventional heating current (A)	5		



4.3 Wiring. Connection of main circuit is PVC insulation copper conductor or cable. See table below for details:

Current range (A)	Cross section area (mm ²)	Length (m)	Number of piece
I≤8	1.0	1	1
8<I≤12	1.5	1	1
12<I≤20	2.5	1	1
20<I≤25	4.0	1	1
25<I≤32	6.0	1	1
32<I≤50	10	1	1
50<I≤65	16	1	1
65<I≤85	25	1	1
85<I≤115	35	1	1
115<I≤150	50	2	1
150<I≤175	75	2	1
175<I≤225	95	2	1
225<I≤250	120	2	1
250<I≤275	150	2	1
275<I≤350	185	2	1
350<I≤400	240	2	1
400<I≤500	150	2	2
500<I≤630	185	2	2

4.4 Protection Characteristics

4.4.1 Operation characteristic under three-phase balanced-load status as per the table below.

Series No.	I/In	Operating time		Test condition	Ambient temperature (°C)
1	1.05	<2h non-tripping		Cold status	(20±5)°C
2	1.20	<2h tripping		Starts from hot status, right after item no.1	
3	1.50	Class 10A	≤ 2 min		
		Class 10	≤ 4 min		
4	7.20	Class 10A	2s<Tp≤10s	Cold status	
		Class 10	4s<Tp≤10s		

Under three-phase operation, if relay current reaches and maintains 1.05 times of the current setting, the green lamp flashes and red lamp does not light up, which indicates that the relay is not at over-load time-delay status, which equals to non-operation in 2 hours in serial No. 1 of the table above. A current tolerance for serial No.1 is -3%, and a current tolerance for No.2 is +3% . Cold status implies the status of the power re-energized of main circuit of relay 5 seconds after its power off.





4.4.2 Operation characteristic under phase-failure status as per the table below.

Series No.	I/In		Operating time Tp	Test condition	Ambient temperature °C
	Any two phases	The third phase			
1	1.0	0.9	<2h non-tripping	Starts from cold status	(20±5)°C
2	1.15	0	<2h tripping	Starts from hot status, right after item No.1	

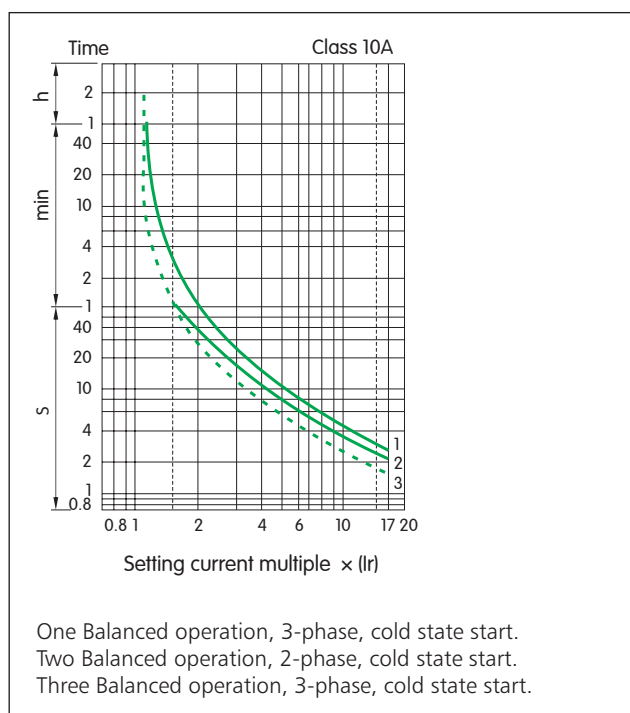
Under phase failure operation, if one phase has the current = 0, the other two phases have the current ≥1.15 times of the current setting, then, the red lamp flashes, and green lamp lights up, which indicates that the relay is at time-delay release status.

As to this table, the permissible error of the No.1 circuit is -3%, No.2 circuit +3%

4.3 Type selection and ordering data (see the table)

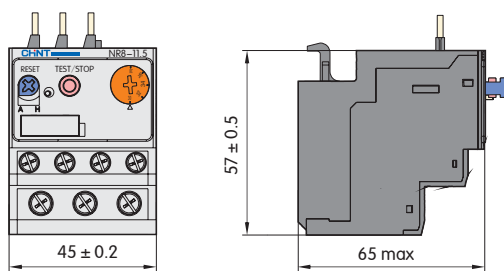
Product appearance	Rated current A	Specification of matching fuse(RT 36 is recommended) A	Model of matching contactor
		gG	
 NR8-11.5	0.1~0.16	2	 NC8-06M、NC8-06M/Z NC8-09M、NC8-09M/Z NC8-12M、NC8-12M/Z
	0.16~0.25	2	
	0.25~0.4	2	
	0.4~0.63	2	
	0.63~1	4	
	1~1.6	4	
	1.6~2.5	6	
	2.5~4	10	
	4~6	16	
	5.5~8	20	
	7~10	20	
9~13	25		
 NR8-38	0.1~0.16	2	 NC8-09、NC8-12 NC8-18、NC8-25 NC8-32、NC8-38
	0.16~0.25	2	
	0.25~0.4	2	
	0.4~0.63	2	
	0.63~1	4	
	1~1.6	4	
	1.6~2.5	6	
	2.5~4	10	
	4~6	16	
	5.5~8	20	
	7~10	20	
9~13	25		
12~18	35		
16~24	50		
23~32	63		
30~38	80		

4.4 Tripping characteristics

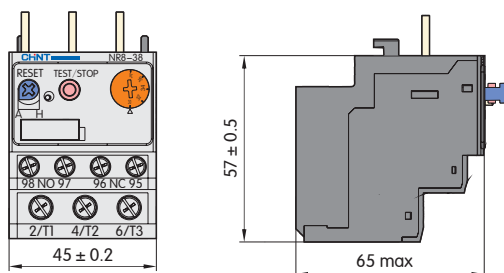


5. Overall and mounting dimensions (mm)

NR8-11.5



NR8-38





NR8 Thermal Overload Relay

1. General

Nr8 series thermal overload relay (hereinafter referred to as thermal relay) is used to provide overload and phase failure protection for AC motors with a frequency of AC 50Hz/60Hz, a voltage of up to 690V and a current of 0.1A~38A that operate continuously or intermittently.

The thermal relay also has temperature compensation, operation indication, automatic and manual reset and stop functions and stable and reliable performances.

The product meets the standards GB 14048.4 and IEC 60947-4-1.

Plug-in mounting is used between the thermal relay and the contactor.

2. Usual service conditions and mounting conditions

2.1 Altitude: not higher than 2000m.

2.2 When the ambient temperature is $-5^{\circ}\text{C} \sim +40^{\circ}\text{C}$, the mean value is no greater than $+35^{\circ}\text{C}$ within 24 hours.

2.3 Atmospheric conditions: When the ambient air temperature is $+40^{\circ}\text{C}$, the relative humidity of the air shall not be higher than 50%; a higher relative humidity is allowed at a lower temperature; for example, for the wettest month, the lowest temperature averaged shall not be higher than $+25^{\circ}\text{C}$, the maximum relative humidity averaged shall be 90%, and special measures shall be taken for the condensation occasionally produced due to temperature change.

2.4 Class of pollution: 3.

2.5 The inclination between the mounting plane and the vertical plane shall not exceed 5° .

2.6 In non-explosive media that do not contain a sufficient amount of gas or conductive dust to cause metal corrosion or insulation failure.

2.7 In places with rain and snow protection equipment and not full of vapor;

2.8 In places where there is no significant shake, impact or vibration.

3. Main parameters and technical characteristics

Item			NR8-11.5	NR8-38
Current class			13	38
Nominal insulation voltage V			690	690
Phase failure protection			Have	Have
Manual and automatic reset			Have	Have
Temperature compensation			Have	Have
Tripping indication			Have	Have
Test button			Have	Have
Stop button			Have	Have
Mounting type			Plug-in type	Plug-in type
Auxiliary contact			1NO+1NC	1NO+1NC
AC-15 230V rated current A			2.61	2.61
AC-15 400V rated current A			1.5	1.5
DC-13 220V rated current A			0.2	0.2
Conductor cross-sectional area mm ²	Main circuit	Single-core or stranded conductor	1~2.5	1~10
		Terminal screw	M4	M4
	Auxiliary circuit	Single-core or stranded conductor	0.5~2.5	0.5~2.5
		Terminal screw	M3.5	M3.5

4. Others

4.1 Structural features

- 4.1.1 Three-phase bimetal type, tripping class 10A.
- 4.1.2 Phase failure protection.
- 4.1.3 Setting current continuously adjustable device.
- 4.1.4 Temperature compensation.
- 4.1.5 Operation indication.
- 4.1.6 Testing mechanism.
- 4.1.7 Stop button.
- 4.1.8 Manual and automatic reset button.
- 4.1.9 One N.O. contact and one N.C. contact, electrically separable.
- 4.1.10 Mounting type: plug-in mounting with the contactor.

4.2 Protection characteristics

Item	No.	Setting current multiple		Operation time	Test conditions
Overload protection	1	1.05		No operation within 2h	Cold state start
	2	1.2		Operation within 2h	Hot state start (after No.1)
	3	1.5		Operation with 2min	Start when thermal equilibrium is reached after applying a 1 times setting current
	4	7.2		$2s < T_p \leq 10s$	
Phase failure protection	5	Any two phases	The other phase	No operation within 2h	Cold state start
		1.0	0.9		
	6	1.15	0	Operation within 2h	Hot state start (after No.5)



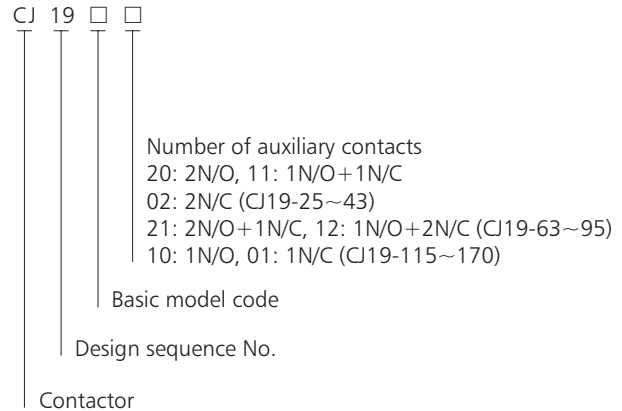
CJ19 Contactor for Power Factor Correction

1. General

- 1.1 Electric ratings: AC50/60Hz, up to 400V;
- 1.2 Standard: IEC/EN 60947-4-1



2. Type designation



3. Normal operation conditions

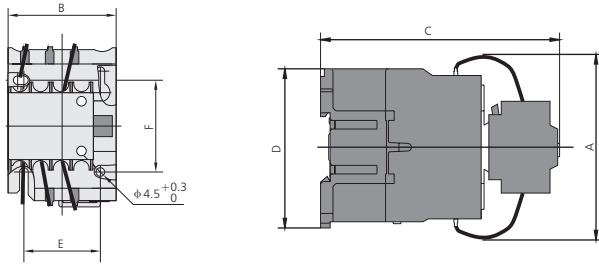
- 3.1 Ambient temperature: -5°C~+40°C,
the average during 24 hours should not exceed +35°C;
- 3.2 Altitude: ≤ 2000m;
- 3.3 Atmosphere conditions: At mounting site,
relative humidity not exceed 50% at the max temperature
of +40°C, higher relative humidity is allowable
under lower temperature. For example,
RH could be 90% at +20°C,
special measures should be taken to occurrence of dews;
- 3.4 Pollution degree: 3
- 3.5 Installation category: III
- 3.6 Installation conditions :
the inclination between installation plane
and vertical plane is within ±5 °
- 3.7 Impact and shake: the products should locate
in the places where there are no obvious impact and shake.

4. Technical data

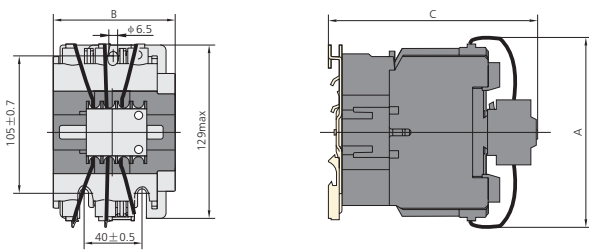
Item	CJ19-25	CJ19-32	CJ19-43	CJ19-63	CJ19-95	CJ19-115	CJ19-150	CJ19-170
Controllable capacitor 220V	6	9	10	15	28.8(240V)	34.5(240V)	46(240V)	52(240V)
Capacity 380V	12	18	20	30	50(400V)	60(400V)	80(400V)	90(400V)
Rated Isolation Voltage Ui V	500					690		
Rated Operational Voltage Ue V	220/240, 380/400							
Conventional thermal current Ith A	25	32	43	63	95	200	200	275
Rated Operational current Ie A(380V)	17	23	29	43	72.2 (400V)	87 (400V)	115 (400V)	130 (400V)
Restrained surge capacity	20 Ie							
Controlled power voltage	110 127 220 380							
Auxiliary contact	AC-15: 360VA DC-13: 33W Ith:10A							
Operating Frequency cycles/h	120							
Electrical durability 10 ⁴	10					2		
Mechanical durability 10 ⁴	100					300		

5. Overall and mounting dimensions (mm)

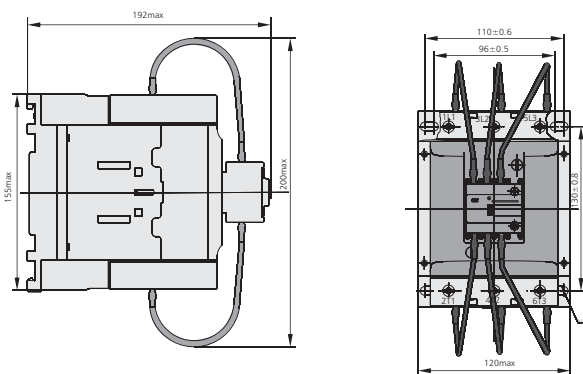
CJ19-25~43



CJ19-63~95



CJ19-115~170



Model	Amax	Bmax	Cmax	Dmax	E	F	Note
CJ19-25	80	47	124	76	34/35	50/60	Not only fixed by screws but also could be fixed with 35mm din rail
CJ19-32	90	58	132	86	40	48	
CJ19-43	90	58	136	86	40	48	
CJ19-63	132	79	150	-	-	-	Not only fixed by screws but also could be fixed with 35mm and 75mm din rail
CJ19-95	135	87	158	-	-	-	
CJ19-115	200	120	192	155			Not only fixed by screws but also could be fixed with two 35mm din rail
CJ19-150	200	120	192	155			
CJ19-170	200	120	192	155			

6. Wiring and installation

- 6.1 The connection terminals are protected through insulation cover, which is reliable and secure for installation and operation;
- 6.2 For CJ19-25~43, screws are available for installation, as well as the DIN rail;
 - for CJ19-63~95, 35mm or 75mm standard rail are available for installation.
 - for CJ19-115~170, screws are available for installation, as well as two 35mm DIN rail.

3. Technical data

3.1 Ratings

Model	Utilization category	Ui (V)	Ue (V~)	Conventional heating current (A)	Ie (A)	Controlled power (kW)
NCH8-20	AC-1,AC-7a	500	230	20	20	4
NCH8-20	AC-7b	500	230	20	9	1.2
NCH8-25	AC-1,AC-7a	500	400	25	25	16
NCH8-40	AC-1,AC-7a	500	400	40	40	40
NCH8-63	AC-1,AC-7a	500	400	63	63	40

3.2 Making and breaking capacity

Model	Utilization category	Making and breaking conditions			Electrification time (s)	Interval time (s)	Operating cycle times
		Ic/Ie	Ur/Ue	COS φ			
NCH8-20	AC-1,AC-7a	1.5	1.05	0.8	0.05	10	50
NCH8-20	AC-7b	8	1.05	0.45	0.05	10	50
NCH8-25	AC-1,AC-7a	1.5	1.05	0.8	0.05	10	50
NCH8-40	AC-1,AC-7a	1.5	1.05	0.8	0.05	10	50
NCH8-63	AC-1,AC-7a	1.5	1.05	0.8	0.05	10	50

3.3 Conventional Operating Performances

3.3.1 Conventional operating performances of NCH8-20~25

Utilization category	Making conditions			Breaking conditions			Electrification time (s)	Interval time (s)	Operating frequency
	I/Ie	U/Ue	COS φ	Ic/Ie	Ur/Ue	COS φ			
AC-1	1.0	1.05	0.8	1.0	1.05	0.8	0.05	10	6000
AC-7a	1.0	1.05	0.8	1.0	1.05	0.8	0.05	10	30000
AC-7b	6.0	1.0	0.45	1.0	0.17	0.45	0.05	10	30000

3.3.2 Conventional operating performances of NCH8-40~63

Utilization category	Making and breaking conditions			Electrification time (s)	Interval time (s)	Operating frequency
	Ic/Ie	Ur/Ue	COS φ			
AC-1	1.0	1.05	0.8	0.05	10	6000
AC-7a	1.0	1.05	0.8	0.05	10	30000

3.4 Conventional heating current under different ambient temperature

Rated current	40℃	50℃	60℃	70℃
Ie=20A	20A	18A	16A	14A
Ie=25A	25A	22A	18A	16A
Ie=40A	40A	38A	36A	32A
Ie=63A	63A	57A	50A	46A

3.5 Number of appended lamps with voltage up to 230V

Unit power	Tungsten filament and halogen 230V					
	60W	100W	200W	300W	500W	1000W
20A	20	12	6	4	2	1
25A	36	20	11	7	4	2
40A	85	50	25	17	10	5
63A	115	70	35	23	14	7

4. Overall and mounting dimensions (mm)



Model	D		L	L1	L2	H	H1	H2
	2P	4P						
NCH8-20~25	18	36	85	35.5	45	65.5	60	44
NCH8-40~36	36	54	85	35.5	45	65.5	60	44

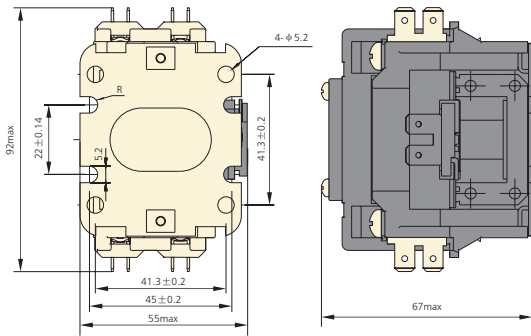
5. Ordering information

Model	Number of contact	Coil voltage	CTN	Order code	
				Standard	RoHS
NCH8-20	2NO	230V 50Hz	128	153000	981874
NCH8-20	2NO	24V 50Hz	128	153001	981875
NCH8-20	1NO+1NC	220/230V	128	153002	981876
NCH8-20	1NO+1NC	24V 50Hz	128	153003	981877
NCH8-20	2NC	220/230V	128	153020	981878
NCH8-20	2NC	24V 50Hz	128	-	986779
NCH8-20	4NO	220/230V	96	-	986780
NCH8-20	4NO	24V 50Hz	96	-	986781
NCH8-20	2NO+2NC	220/230V	96	-	986782
NCH8-20	2NO+2NC	24V 50Hz	96	-	986783
NCH8-25	4NO	220/230V	96	-	986784
NCH8-25	4NO	24V 50Hz	96	-	986785
NCH8-25	2NO+2NC	220/230V	96	-	986786
NCH8-25	2NO+2NC	24V 50Hz	96	-	986787
NCH8-40	4NO	230V	64	153004	981879
NCH8-40	4NO	24V	64	153005	981880
NCH8-40*	2NO+2NC	230V	64	153006	981881
NCH8-40*	2NO+2NC	24V	64	153007	981882
NCH8-40	2NO	230V	64	153008	981883
NCH8-40	2NO	24V	64	153009	981884
NCH8-40	1NO+1NC	230V	64	153010	981885
NCH8-40	1NO+1NC	24V	64	153011	981886
NCH8-40*	3NO+1NC	220/230V	64	-	986788
NCH8-40*	4NC	220/230V	64	-	986789
NCH8-63	4NO	230V 50Hz	64	153012	981887
NCH8-63	4NO	24V 50Hz	64	153013	981888
NCH8-63*	2NO+2NC	230V 50Hz	64	153014	981889
NCH8-63*	2NO+2NC	24V 50Hz	64	153015	981890
NCH8-63	2NO	230V 50Hz	64	153016	981891
NCH8-63	2NO	24V 50Hz	64	153017	981892
NCH8-63	1NO+1NC	230V50Hz	64	153018	981893
NCH8-63	1NO+1NC	24V 50Hz	64	153019	981894
NCH8-63*	3NO+1NC	220/230V	64	-	986790
NCH8-63*	4NC	220/230V	64	-	986791

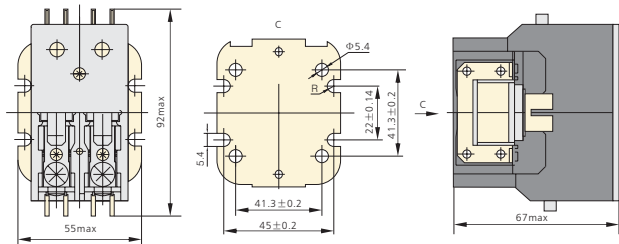
Note: "*" means the product is not available during current development

5. Overall and mounting dimensions (mm)

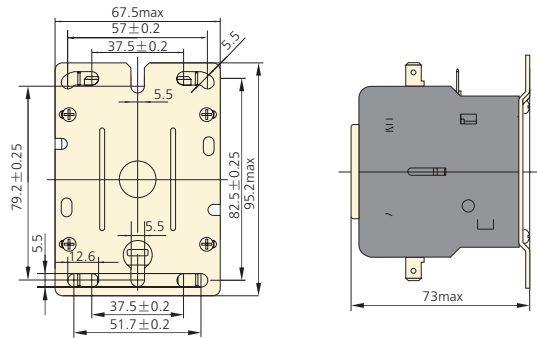
NCK3-20/1~40/1



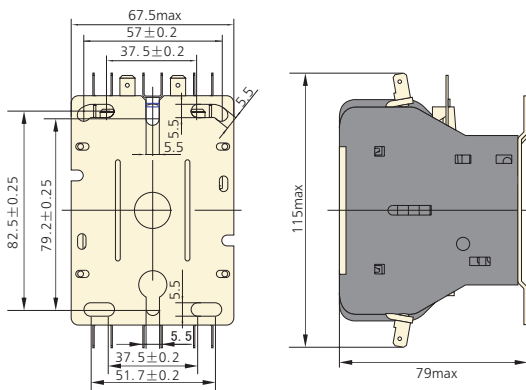
NCK3-20/2~40/2



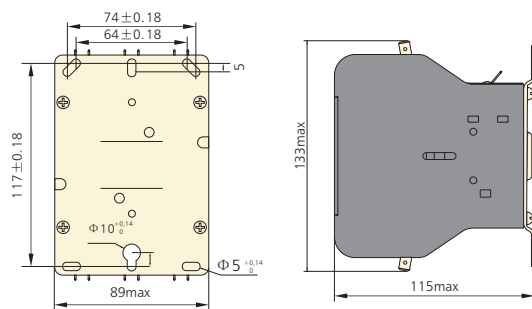
NCK3-20~40



NCK3-50~60



NCK3-75~90





NCH8 Modular AC Contactor

1. General

- 1.1 Electric ratings: up to 20A, 25A, 40A, 63A, 230V, AC50/60Hz;
- 1.2 Utilization category: AC-1, AC-7a, AC-7b;
- 1.3 Standard: IEC/EN 61095

2. Features

- 2.1 Compact design and modularization design;
- 2.2 Insulation material with excellent performances has been adopted to enhance the operation security to a great extent;
- 2.3 Elegant appearance. A mounting instruction diagram is appended for convenient operation;
- 2.4 No noise during operation.

3. Technical data

3.1 Contactor

★ NCK3, 2Pole

Model	Full Load Amps (A)	Line Voltage (V)	Locked Rotor Amps(A)	Conventional free air thermal current(A)
NCK3-20/2	20	240/277	150	32
	20	480	120	
	15	600	90	
NCK3-25/2	25	240/277	150	32
	20	480	120	
	15	600	90	
NCK3-30/2	30	240/277	200	40
	25	480	150	
	20	600	120	
NCK3-32/2	32	240/277	200	40
	25	480	150	
	20	600	120	
NCK3-40/2	40	240/277	240	50
	32	480	200	
	25	600	160	

★ NCK3, 3Pole

Model	Full Load Amps(A)	Line Voltage (V)	Locked Rotor Amps(A)	Conventional free air thermal current(A)	Horsepower
NCK3-20	20	240/277	150	32	7.5
	20	480	110		10
	15	600	90		10
NCK3-25	25	240/277	150	32	7.5
	20	480	110		10
	15	600	90		10
NCK3-30	32	240/277	200	40	10
	25	480	115		15
	20	600	95		15
NCK3-32	32	240/277	200	40	10
	25	480	115		15
	20	600	95		15
NCK3-40	40	240/277	240	50	10
	32	480	150		20
	25	600	120		20
NCK3-50	50	240/277	300	60	15
	40	480	215		30
	32	600	175		30
NCK3-60	60	240/277	360	75	20
	40	480	215		30
	32	600	175		30
NCK3-75	75	240/277	450	90	25
	60	480	375		50
	50	600	300		50
NCK3-90	90	240/277	540	100	30
	75	480	450		60
	60	600	360		60

3.2 Coil specifications

1Pole+shunt, 1Pole+1 NC, auxiliary contact, 2Pole

Model		NCK3-25(20)	NCK3-30(32)	NCK3-40
Power consumption	In-rush (VA)	55	55	55
	Sealed (VA)	13	13	13
Operation range	Operation voltage	(85%~110%) Us		
	Drop-out voltage	(20%~65%) Us		
Power supply voltage Us		AC50/60Hz, 24V, 110V/120V, 220V/240V		

3Pole

Model		NCK3-20~40	NCK3-50~60	NCK3-75~90
Power consumption	In-rush (VA)	51	83	165
	Sealed (VA)	12	14	30
Operation range	Operation voltage	(85%~110%) Us		
	Drop-out voltage	(20%~65%) Us		
Power supply voltage Us		AC50/60Hz, 24V, 110V/120V, 220V/240V		

3.3 Specifications of auxiliary contact

1Pole+ 1 NC auxiliary contact

Ith (A)	Ui (V)	Capacity of auxiliary contact	
		AC (VA)	DC (W)
10	600	300	30

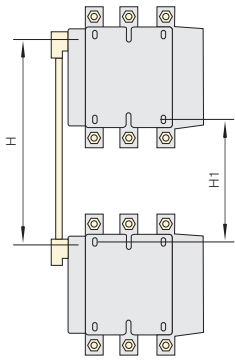
3Pole, lateral auxiliary contact

Utilization category	Rated insulation voltage (V)	Resistive amps (A)	Rated operational voltage (V)	Rated operational current (A)	Control capacity
AC-15	660V	10	380/400	0.95	360VA
DC-13	660V	10	220/230	0.15	33W

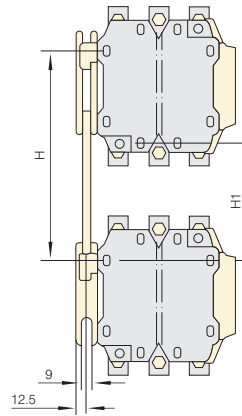
4. Terminal connection

Model	Cabling(mm ²) (Cu)		Tightening torque (N · m)	
	Rigid wire with single core	Flexible stranded wire	Coil	Main circuit
NCK3-20	2.5~6	2.5~4	-	1.8~2
NCK3-25	2.5~6	2.5~4	-	1.8~2
NCK3-32	4~10	2.5~6	-	1.8~2
NCK3-40	4~10	2.5~6	-	1.8~2
NCK3-50	6~16	4~10	0.8~1.2	4~10
NCK3-60	6~16	4~10	0.8~1.2	4~10
NCK3-75	16~35	10~25	0.8~1.2	4~14
NCK3-90	25~35	16~25	0.8~1.2	4~14

NC2-115Nc~630Nc (Vertical mounting)



a. NC2-115Nc~225Nc



b. NC2-265Nc~800Nc

Model	H		H1	
	Min	Max	Min	Max
NC2-115Nc、NC2-150Nc	200	310	80	190
NC2-185Nc、NC2-225Nc	220	310	100	190
NC2-265Nc	250	380	130	260
NC2-330Nc	260	380	60	200
NC2-400Nc	280	380	100	200
NC2-500Nc	300	380	120	200
NC2-630Nc	380	380	200	200
NC2-800Nc	380	380	200	200

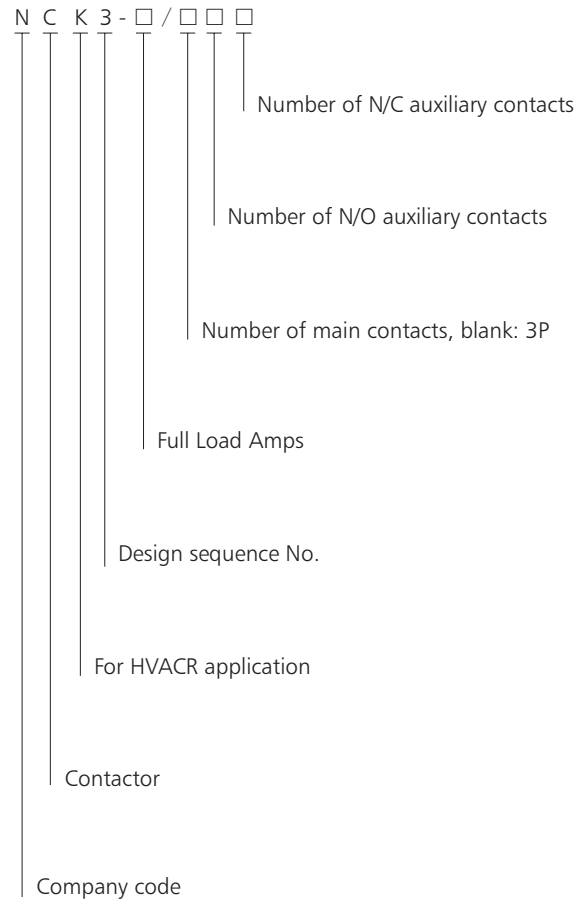


NCK3 Definite Purpose Contactor, 25~90A

1. General

- 1.1 Certificates: VDE, UKrSEPRO, UL;
- 1.2 Application: HVACR;
- 1.3 Utilization category: AC-1, AC-7a, AC-8a;
- 1.4 Rated insulation voltage: 630V;
- 1.5 Standard: UL508

2. Type designation



3. Technical data

3.1 Contactor

★ NCK3, 1P+shunt

Model	Full Load Amps (A)	Line Voltage (V)	Locked Rotor Amps (A)	Conventional free air thermal current (A)
NCK3-20/1	20	277	150	32
NCK3-25/1	25	277	150	32
NCK3-30/1	30	277	200	40
NCK3-32/1	32	277	200	40
NCK3-40/1	40	277	240	50

★ NCK3, 1pole+1NC auxiliary contact

Model	Full Load Amps (A)	Line Voltage (V)	Locked Rotor Amps (A)	Conventional free air thermal current (A)
NCK3-20/101	20	277	150	32
NCK3-25/101	25	277	150	32
NCK3-30/101	30	277	200	40
NCK3-32/101	32	277	200	40
NCK3-40/101	40	277	240	50

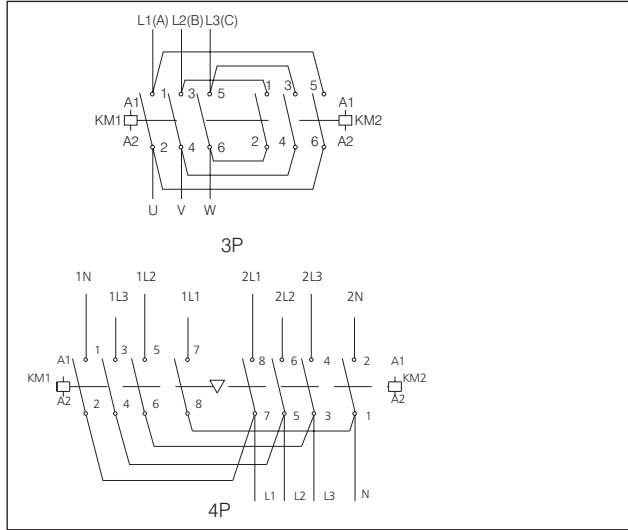


4. Structure features

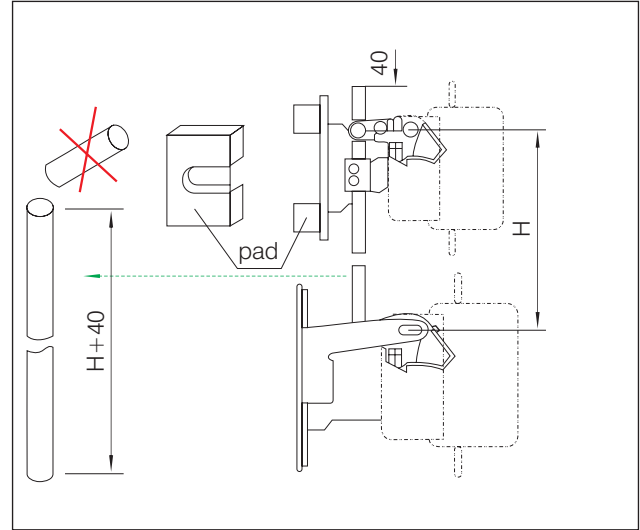
4.1 Refer to fig below for connection mode of connection plate, the interlocked contactors could be mounted horizontally or vertically. For vertical mounting, contactors with lower current mounted at the upper position.

4.2 For reversing type contactors assembled with NC2-115~225 and NC2-265~630, which will be mounted vertically, a padding plate should be added at the bottom of NC2-115~225.

Connection of connection plate



Reversing contactor mounted vertically

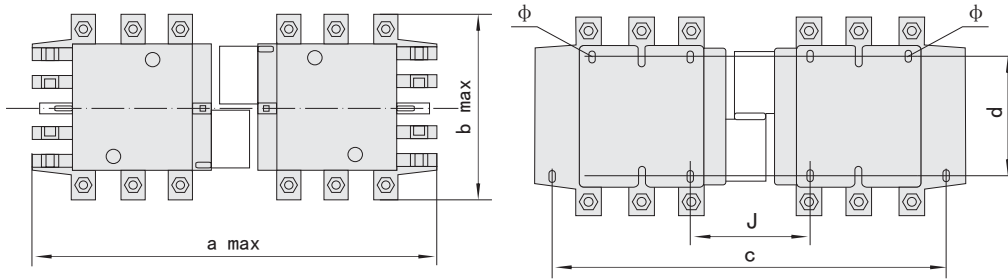


5. Accessories

Model of mechanical interlock	Applicable assembly with contactors
NJLs-FF	NC2-115+NC2-115; NC2-150+NC2-150; NC2-115+NC2-150
NJLs-GG	NC2-185+NC2-185; NC2-225+NC2-225; NC2-185+NC2-225
NJLs-HH (Horizontal)	NC2-265+NC2-265; NC2-330+NC2-330; NC2-265+NC2-330
NJLs-KK	NC2-400+NC2-400; NC2-500+NC2-500; NC2-400+NC2-500
NJLs-LL	NC2-630+NC2-630; NC2-800+NC2-800
NJLc-FF	NC2-115+NC2-115; NC2-150+NC2-150; NC2-115+NC2-150
NJLc-FG	NC2-115+NC2-185; NC2-150+NC2-185; NC2-115+NC2-225; NC2-150+NC2-225
NJLc-FH	NC2-115+NC2-265; NC2-115+NC2-330; NC2-150+NC2-265; NC2-150+NC2-330
NJLc-FK	NC2-115+NC2-400; NC2-115+NC2-500; NC2-150+NC2-400; NC2-150+NC2-500
NJLc-FL	NC2-115+NC2-800; NC2-115+NC2-630; NC2-150+NC2-630; NC2-150+NC2-800
NJLc-GG	NC2-185+NC2-185; NC2-225+NC2-225; NC2-185+NC2-225
NJLc-GH	NC2-185+NC2-265; NC2-185+NC2-330; NC2-225+NC2-265; NC2-225+NC2-330
NJLc-GK (Vertical)	NC2-185+NC2-400; NC2-225+NC2-500; NC2-225+NC2-400; NC2-225+NC2-500
NJLc-GL	NC2-185+NC2-800; NC2-185+NC2-630; NC2-225+NC2-630; NC2-225+NC2-800
NJLc-HH	NC2-265+NC2-265; NC2-330+NC2-330; NC2-265+NC2-330
NJLc-HK	NC2-265+NC2-400; NC2-330+NC2-400; NC2-265+NC2-500; NC2-330+NC2-500
NJLc-HL	NC2-265+NC2-265; NC2-265+NC2-630; NC2-330+NC2-630; NC2-330+NC2-800
NJLc-KK	NC2-400+NC2-400; NC2-500+NC2-500; NC2-400+NC2-500; NC2-400+NC2-800
NJLc-KL	NC2-400+NC2-630; NC2-500+NC2-630; NC2-500+NC2-800
NJLc-LL	NC2-630+NC2-630; NC2-630+NC2-800
NJLc-MM	NC2-800+NC2-800

6. Overall and mounting dimensions (mm)



NC2-115Ns~630Ns (Horizontal mounting)



							mm
Modle	pole	A max	b max	c	d	J	
NC2-115Ns	3	350	163	330	110~120	71	
	4	425	208	370		108	
NC2-150Ns	3	350	171	330		71	
	4	425	211	370		111	
NC2-185Ns	3	350	174	330		78	
	4	430	223	370		118	
NC2-225Ns	3	350	197	330		78	
	4	430	243	370		118	
NC2-265Ns	3	450	203	428		109	
	4	546	249	485		157	
NC2-330Ns	3	450	206	428		124	
	4	546	251	485		172	
NC2-400Ns	3	485	206	460	170~180	157	
	4	595	251	485		157	
NC2-500Ns	3	485	238	460	180~190	156	
	4	650	304	625		139	
NC2-630Ns	3	810	364	785	180~190	159	
	4	650	304	625		139	

8. Assembly with overload relay

8.1 Assembly with thermal overload relay

Model of contactor	Assembled thermal overload relay			
	Model	Rated current (A)	Recommended fuse type	
			aM	gG
NC2-115 NC2-150 NC2-185 NC2-225	 NR2-200	80~125	125	200
		100~160	160	250
		125~200	200	315
		160~250	250	400
NC2-185 NC2-225 NC2-265 NC2-330 NC2-400 NC2-500 NC2-630~800	 NR2-630	200~315	315	500
		250~400	400	630
		315~500	500	800
		400~630	630	800



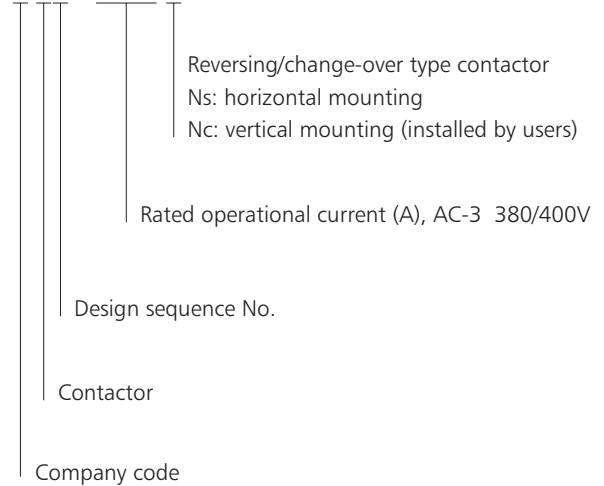
NC2-N Contactor Reversing & change-over type, 115~800A

1. General

- 1.1 Electric ratings; AC50/60Hz, up to 690V, up to 800A;
- 1.2 Application: reversing control of motor and the mechanical interlock ensures operation reliability for contactor changeover of the two reversing contactors;
- 1.3 Ambient temperature: -5°C~+40°C;
- 1.4 Altitude: ≤2000m;
- 1.5 Mounting category: III
- 1.6 Mounting conditions:
 inclination between the mounting plane and the vertical plane not exceed ±5°
- 1.7 Standard: IEC/EN 60947-4-1

2. Type designation of mechanical interlock

NC2 - □□□ N



3. Technical data

3.1 Clearance between active and static contacts

Models	Distance between contacts
NC2-115N/150N	≥5mm
NC2-185N/225N	≥5mm
NC2-265N/330N	≥6mm
NC2-400N/500N	≥6.5mm
NC2-630N	≥7mm
NC2-800N	≥7mm

3.2 Mechanical life

a. NJLC-FF and NJLS-FF: 3×10^6 operations

b. Other model: 2×10^6 operations

(a) 3×10^6	NJLC-FF, NJLS-FF
(b) 2×10^6	NJLS-FF, NJLS-GG, NJLS-HH, NJLS-KK, NJLS-LL, NJLC-FF, NJLC-FG, NJLC-FH, NJLC-FK, NJLC-FL, NJLC-GG, NJLC-GH, NJLC-GK, NJLC-GL, NJLC-HH, NJLC-HK, NJLC-HL, NJLC-KK, NJLC-KL, NJLC-LL

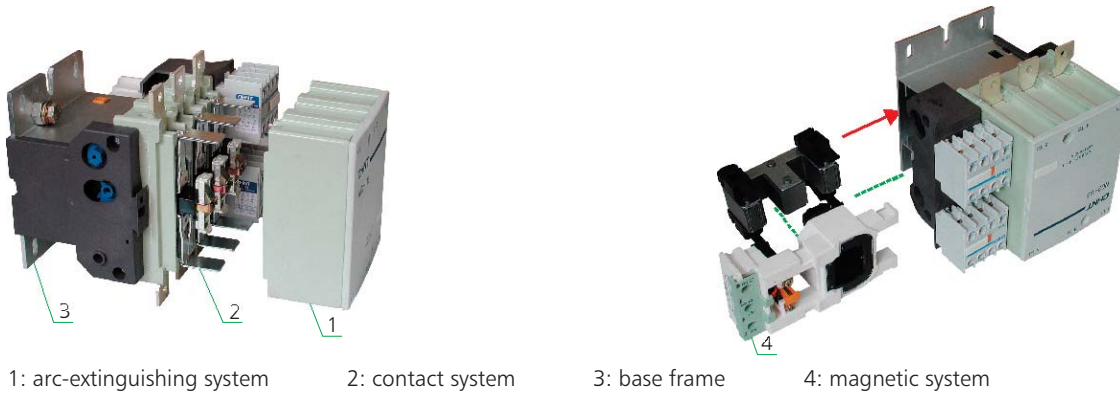
3.3 Terminal Connection

Model	The connection capability			Screw size	Tightening torque (N·m)
	Number of piece	Cable Cross section (mm ²)	Cu busbar Cross section (mm ²)		
NC2-115	1	70~90	-	M6	3
NC2-150	1	70~90	-	M8	6
NC2-185	1	95~150	-	M8	6
NC2-225	1	95~150	-	M10	10
NC2-265	1	120~185	-	M10	10
NC2-330	1	185~240	-	M10	10
NC2-400	1(2)	240(150)	30×5	M10	10
NC2-500	2	150~185	40×5	M10	10
NC2-630	2	185~240	50×5	M12	14
NC2-800	2	185~240	50×5	M12	14

6. Structure features

The contactor is composed of arc-extinguishing system, contact system, base frame and magnetic system (including iron core, coil)
 The contact system of the contactor is of direct action type and double-breaking points allocation.
 The lower base-frame of the contactor is made of shaped aluminum alloy and the coil is of plastic enclosed structure.
 The coil is assembled with the amature to be an integrated one. They can be directly taken out from or inserted into the contactor.
 It is convenient for user's service and maintenance.

Scheme of NC2-115~265 structure



1: arc-extinguishing system 2: contact system 3: base frame 4: magnetic system

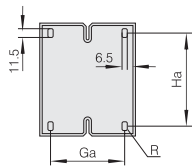
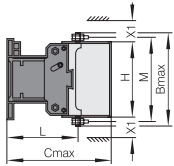
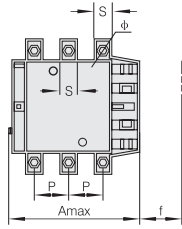
NC2 series contactor is of short arcing distance. For example, the arcing distance of NC2-115~330 contactor is only 10mm (200~500V), which is about one sixth that of the previous contactor of the same capacity. It is an excellent complementary element used for an electric control device and it occupies smaller space in a complete set of equipment. The mechanical interlock can be added to the contactor in both horizontal direction and vertical direction. Three sets of contactor can be interlocked in the vertical direction.

Model	NC2-115		NC2-150		NC2-185		NC2-225	
	3P	4P	3P	4P	3P	4P	3P	4P
A	167	204	167	204	171	211	171	211
B	163	163	171	171	174	174	197	197
C	172	172	172	172	183	183	183	183
P	37	37	40	40	40	40	48	48
S	20	20	20	20	20	20	25	25
φ	M6	M6	M8	M8	M8	M8	M10	M10
f	131	131	131	131	131	131	131	131
M	147	147	150	150	154	154	172	172
H	124	124	124	124	127	127	127	127
L	107	107	107	107	113.5	113.5	113.5	113.5
X1 200~500V	10		10		10		10	
X1 660~1000V	15		15		15		15	
Ga	80		80		80		80	
Ha	110~120		110~120		110~120		110~120	

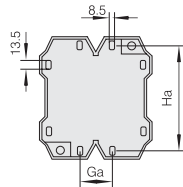
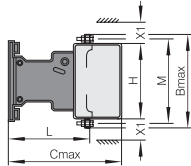
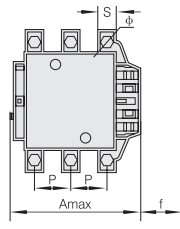
Note: a. f is the min distance needed to mount and dismount the coil.
 b. X1: arcing distance is identified by operating voltage and breaking capacity.

7. Overall and mounting dimensions (mm)

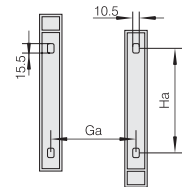
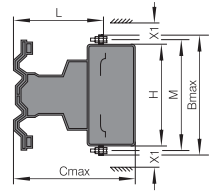
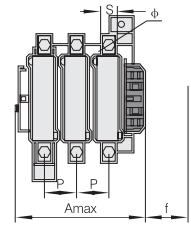
NC2-115~330



NC2-400~500



NC2-630~800

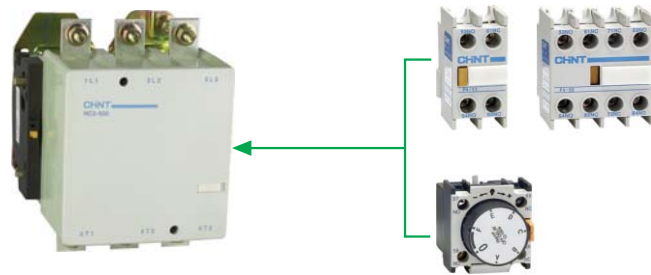


NC2-265		NC2-330		NC2-400		NC2-500	NC2-630		NC2-800
3P	4P	3P	4P	3P	4P	3P	3P	4P	3P
202	247	213	261	213	261	233	309	389	309
203	203	206	206	206	206	238	304	304	304
215	215	220	220	220	220	233	256	256	256
48	48	48	48	48	48	55	80	80	80
25	25	25	25	25	25	30	40	40	40
M10	M10	M10	M10	M10	M10	M10	M12	M12	M12
147	147	147	147	147	147	150	181	181	181
178	178	181	181	181	181	208	264	264	264
147	147	158	158	158	158	172	202	202	202
141	141	145	145	145	145	146	155	155	155
10		10		15		15	20		20
15		15		20		20	30		30
96		96		80		80	180	240	180
110~120		110~120		170~180		170~180	180~190		180~190

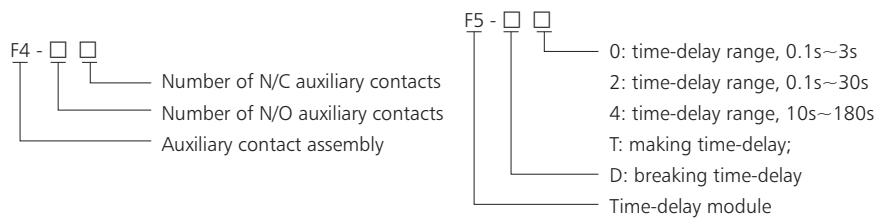
5. Accessories

Items		Model	NC2-115(Z)	NC2-150(Z)	NC2-185(Z)	NC2-225(Z)	
AC coil	Coil power	AC: In-rush (VA)	660		966		
		Sealed (VA)	60		75		
		DC: In-rush (W)	1500		1800		
		Sealed (W)	5		6		
	Operation range	Operation voltage	(85%~110%) Us				
		Drop-out voltage	Common products; 20%~75%; electricity-saving products: 10%~75%Us				
Coil code	3P	FF XXX (DC)		FG XXX (DC)			
(XXX=coil voltage)	4P	FF XXX/4		FG XXX/4			
Coil voltage (50Hz,60Hz,50/60Hz)(V AC)			AC: 110,127,220,230,380,400 DC: 48,110,220				

F4 auxiliary contact



F5 auxiliary contact



NC2-265(Z)	NC2-330(Z)	NC2-400(Z)	NC2-500	NC2-630	NC2-800
840	1,500	1,500	1,500	1,700	1,700
100	10	20	25	25	34.2
1500	1500	1700			
8	8	10			

(85%~110%) Us

Common products; 20%~75%; electricity-saving products: 10%~75%Us

FH XXX (DC)	FI XXX (DC)	FJ XXX (DC)	FK XXX	FL XXX	FM XXX
FH XXX/4	FI XXX	FJ XXX	-	FL XXX/4	-

AC: 110,127,220,230,380,400

DC: 110,220(NC2-265Z1330Z1400Z)

Picture	Model	Configuration of contacts	
		Number of NO contact	Number of NC contact
	F4-20	2	0
	F4-11	1	1
	F4-02	0	2
	F4-40	4	0
	F4-31	3	1
	F4-22	2	2
	F4-13	1	3
	F4-04	0	4
Picture	Model	Time-delay range	Configuration of time-delay contacts
	F5-T0	0.1s~3s	N/O+N/C
	F5-T2	0.1s~30s	N/O+N/C
	F5-T4	10s~180s	N/O+N/C
	F5-D0	0.1s~3s	N/O+N/C
	F5-D2	0.1s~30s	N/O+N/C
	F5-D4	10s~180s	N/O+N/C

4. Technical data

★ 3P contactors AC coil operation

Model			NC2-115(Z)	NC2-150(Z)	NC2-185(Z)	NC2-225(Z)
Frame			Frame 1		Frame 2	
Rated Conventional heating current (A) AC-1			200	200	275	275
Rated operational current (A)	AC-3	380/400V AC	115	150	185	225
	AC-4	660/690V AC	86	108	118	137
Power of controlled 3-phase cage motor (AC-3)	kW	380/400V AC	55	75	90	110
		660/690V AC	80	100	110	129
	hp	240V AC	40	50	60	75
		415V AC	60	75	100	125
		480V AC	75	100	100	125
600V AC		75	100	100	125	
Operating cycles (operations /h) AC-3			1,200	1,200	600	600
Electrical life ($\times 10^6$ operations) AC-3			1.2	1.2	1	1
Mechanical life ($\times 10^5$ operations)			10	10	6	6
Matched fuse type	Model		RT36-1	RT36-1	RT36-2	RT36-2
	Rated current A		250	250	315	315

★ 4P contactors AC coil operation

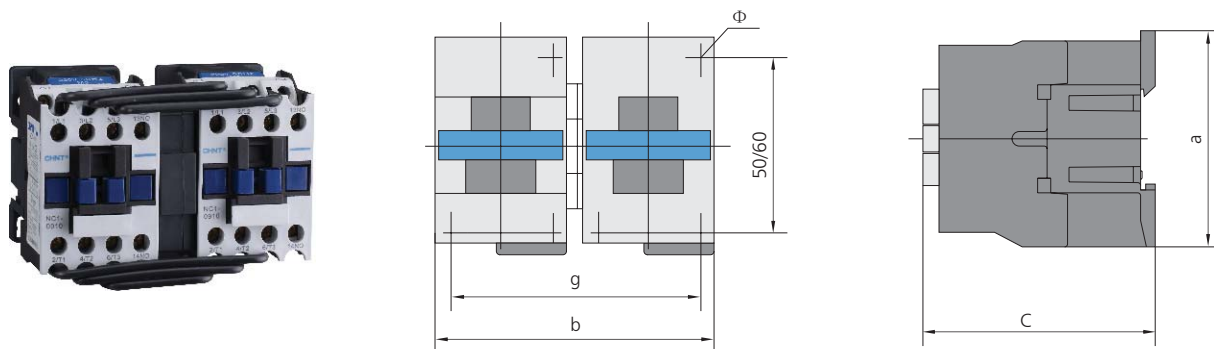
Model			NC2-115/4	NC2-150/4	NC2-185/4	NC2-225/4
Frame			Frame 1		Frame 2	
Conventional heating current (A) AC-1			200	200	275	275
Rated operational current (A)	AC-3	380/400V AC	115	150	185	225
	AC-4	660/690V AC	86	108	118	137
Power of controlled 3-phase cage motor (AC-3)	kW	380/400V AC	55	75	90	110
		660/690V AC	80	100	110	129
	hp	240V AC	40	50	60	75
		415V AC	60	75	100	125
		480V AC	75	100	100	125
600V AC		75	100	100	125	
Operating cycles (operations /h) AC-3			1,200	1,200	600	600
Electrical life ($\times 10^6$ operations) AC-3			1.2	1.2	1	1
Mechanical life ($\times 10^5$ operations)			10	10	6	6
Matched fuse type	Model		RT36-1	RT36-1	RT36-2	RT36-2
	Rated current (A)		250	250	315	315

NC2-265	NC2-330	NC2-400	NC2-500	NC2-630	NC2-800
Frame 3	Frame 4	Frame 5	Frame 6		Frame 7
315	380	450	630	800	800
265	330	400	500	630	800
170	235	303	353	462	486
132	160	200	250	335	450
160	220	280	335	450	475
100	125	150	200	250	350
150	150	200	250	350	600
150	200	250	350	400	600
150	200	300	350	500	650
600	600	600	600	600	600
0.8	0.8	0.8	0.8	0.8	0.6
6	6	6	6	6	3
RT36-3	RT36-3	RT36-3	RT36-4	RT36-4	RT36-4
355	500	630	800	1000	1000

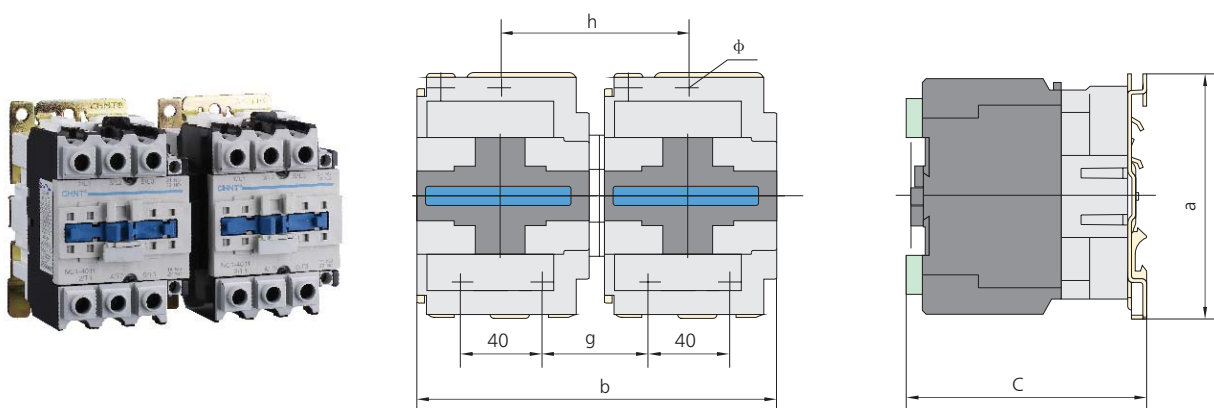
NC2-265/4	NC2-330/4	NC2-400/4	NC2-630/4
Frame 3	Frame 4	Frame 5	Frame 6
315	380	450	800
265	330	400	630
170	235	303	462
132	160	200	335
160	220	280	450
100	125	150	250
150	150	200	350
150	200	250	400
150	200	300	500
600	600	600	600
0.8	0.8	0.8	0.8
6	6	6	6
RT36-3	RT36-3	RT16-3	RT36-4
355	500	630	1000

6. Overall and mounting dimensions (mm)

NC1-09~32N



NC1-40~95N



Contactor model	a	b	c	g	h	φ
NC1-09N~12N	78	105	82	95	-	4.5
NC1-18N	78	105	87	95	-	4.5
NC1-25N	90	125	95	111	-	4.5
NC1-32N	90	125	100	111	-	4.5
NC1-40N~65N	129	165	116	50	90	6.5
NC1-80N~95N	129	165	127	57	96	6.5



NC2 Contactor, 115~800A

1. General

- 1.1 Certificates: NC2-115~630
CE, VDE, UKrSEPRO, GOST, RCC, UL;
- 1.2 Electric ratings: AC50/60Hz, up to 690V, up to 800A;
- 1.3 Application: remote making & breaking circuits;
protect circuit from overload when assembling
with thermal over-load relay;
- 1.4 Ambient temperature: -5°C~+40°C;
- 1.5 Altitude: ≤2000m;
- 1.6 Mounting category: III
- 1.7 Mounting conditions:
inclination between the mounting plane and
the vertical plane not exceed ±5°
- 1.8 Standard: IEC/EN 60947-4-1



2. Type designation

N C 2- □ □ □ □ / □

Number of poles: 4P; Blank:3P

Derivation code :
 Ns: horizontal mounting
 Nc: vertical mounting

Rated operational current (A), AC-3 380/400V

Design sequence No.

Contactor

Company code

3. Terminal connection

Model	The connection capability			Screw size	Tightening torque (N·m)
	Number of piece	Cable Cross section (mm ²)	Cu busbar Cross section (mm ²)		
NC2-115	1	70~95	-	M6	3
NC2-150	1	70~95	-	M8	6
NC2-185	1	95~150	-	M8	6
NC2-225	1	95~150	-	M10	10
NC2-265	1	120~185	-	M10	10
NC2-330	1	185~240	-	M10	10
NC2-400	1(2)	240(150)	30×5	M10	10
NC2-500	2	150~185	40×5	M10	10
NC2-630	2	185~240	50×5	M12	14
NC2-800	2	185~240	50×5	M12	14

5. Technical data

★ AC coil operation, reversing type

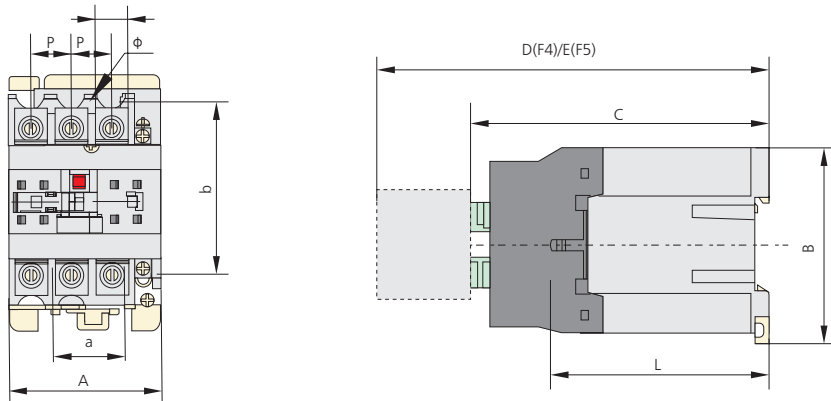
Items \ Model			NC1-09N	NC1-12N	NC1-18N	NC1-25N	
Frame			Frame 1 (3P, 4P)		Frame 2 (3P)	Frame 3 (3P, 4P)	
Rated conventional heating current (A) AC-1			20	20	32	40	
AC-4	Ie(A)	380/400V	3.5	5	7.7	8.5	
		660/690V	1.5	2	3.8	4.4	
	Pe(kW)	380/400V	1.5	2.2	3	4	
		660/690V	1.1	1.5	3.7	4	
Power of controlled 3-phase cage motor (AC-3)	hp	200V	3	5	7.5	7.5	
		240V	3	5	7.5	10	
		460V	5	7.5	10	15	
		600V	5	7.5	10	15	

★ AC coil operation, change-over type

Items \ Model			NC1-09N	NC1-12N	NC1-25N	
Frame			Frame 1 (4P)	Frame 2 (4P)	Frame 3 (4P)	
Rated conventional heating current (A) AC-1			20	20	40	
AC-4	Ie(A)	380/400V	3.5	5	8.5	
		660/690V	1.5	2	4.4	
	Pe(kW)	380/400V	1.5	2.2	4	
		660/690V	1.1	1.5	4	
Power of controlled 3-phase cage motor (AC-3)	hp	200V	3	5	7.5	
		240V	3	5	10	
		460V	5	7.5	15	
		600V	5	7.5	15	

NC1-32N	NC1-40N	NC1-50N	NC1-65N	NC1-80N	NC1-95N
Frame 4 (3P)		Frame 5 (3P, 4P)		Frame 6 (3P, 4P)	
50	60	80	80	95	95
12	18.5	24	28	37	44
7.5	9	12	14	17.3	21.3
5.5	7.5	11	15	18.5	22
5.5	7.5	11	11	15	18.5
10	15	15	20	25	30
15	20	20	25	30	30
20	25	30	40	40	50
20	25	30	40	40	50

NC1-40N	NC1-50N	NC1-65N	NC1-80N	NC1-95N
Frame 4 (4P)	Frame 5 (4P)		Frame 6 (4P)	
60	80	80	95	95
18.5	24	28	37	44
9	12	14	17.3	21.3
7.5	11	15	18.5	20
7.5	11	11	15	18.5
15	15	20	25	30
20	20	25	30	30
25	30	40	40	50
25	30	40	40	50



Model	A max	B max	C max	D max	E max	a	b	φ	L	P	S
NC1-09(Z)~12(Z)	47	76	82(116)	120.5(154.5)	140.5(174.5)	34/35	50/60	4.5	60(95)	10.5	8.6
NC1-18(Z)	47	76	87(122)	125.5(160.5)	145.5(180.5)	34/35	50/60	4.5	61(96)	11.3	10.4
NC1-25(Z)	57	86	95(131)	133.5(169.5)	153.5(189.5)	40	48	4.5	70(107)	13.2	11.7
NC1-32(Z)	57	86	100(138)	138.5(176.5)	158.5(196.5)	40	48	4.5	71.6(120)	14.5	13
NC1-4011(Z)~6511(Z)	77	129	116(173)	154.5(211.5)	174.5(231.5)	40	105	6.5	78(135)	20	8.6
NC1-4004~6504	84	129	116	154.5	174.5	40	105	6.5	78(135)	20	8.6
NC1-4008~6508	84	129	127	154.5	174.5	40	105	6.5	78	20	8.6
NC1-8011(Z)~9511(Z)	87	129	127(188)	165.5(226.5)	185.5(246.5)	40	105	6.5	83(140)	23.5	12
NC1-8004~9504	96	129	122	160.5	180.5	40	105	6.5	83	23.5	12
NC1-8008~9508	96	129	135	160.5	180.5	40	105	6.5	83	23.5	12

Note:

1. L: in main circuit, the distance between terminals and plate;
2. P: in main circuit, the distance between two phases;
3. S: in main circuit, the width of contacting plate.



NC1-N Contactor Reversing & change-over type, 9~95A

1. General

- 1.1 Electrical ratings: AC50/60HZ, 690V, up to 95A;
- 1.2 Application: reversing control of motor and the mechanical interlock ensures operation reliability for contactor change-over of the two reversing contactors;
- 1.3 Ambient temperature: -5°C~+40°C;
- 1.4 Pollution degree: 3
- 1.5 Mounting category: III
- 1.6 Mounting conditions: inclination between the mounting plane and the vertical plane not exceed $\pm 5^\circ$
- 1.7 Standard: IEC/EN 60947-4-1

2. Type designation

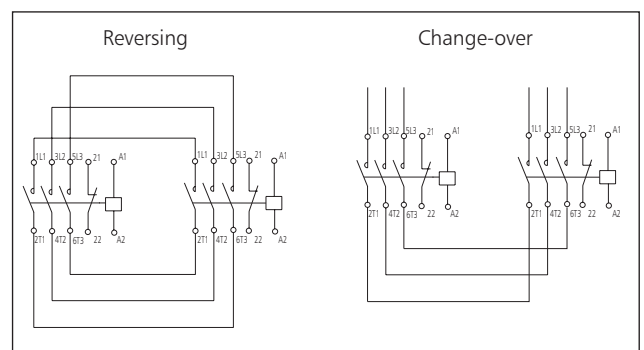
N C 1- □ □ □ □ N






3. Structure

The contactors are composed of two horizontally mounted contactors through mechanical interlock. The lateral-side interlock is mounted between the two contactors.

4. Wiring



5.4 Assembly with electronic overload relay

Model of contactor	Model	Rated	Range of setting	Recommended
		Assembled thermal current (A)	Over-load relay current (A)	Fuse type
NC1-09		1.2	0.6~1.2	RT36-4 (NT00-4)
		2.4	1.2~2.4	RT36-6 (NT00-6)
		4	2~4	RT36-10 (NT00-10)
		8	4~8	RT36-16 (NT00-16)
		10	5~10	RT36-20 (NT00-20)
NC1-12	NRE8-25	12	7~12	RT36-25 (NT00-25)
NC1-18		20	10~20	RT36-40 (NT00-40)
NC1-25		25	20~25	RT36-50 (NT00-50)
NC1-32		32	22~32	RT36-80 (NT00-80)
NC1-40			4	2~4
	8		4~8	RT36-16 (NT00-16)
	10		5~10	RT36-20 (NT00-20)
	20		10~20	RT36-40 (NT00-40)
	40		20~40	RT36-80 (NT00-80)
NC1-40		65	30~65	RT36-160 (NT00-160)
NC1-50				
NC1-65				
NC1-80				
NC1-95				

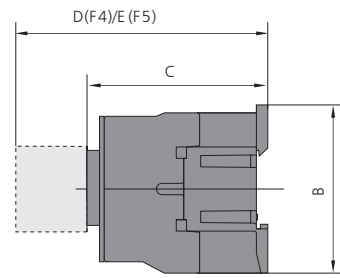
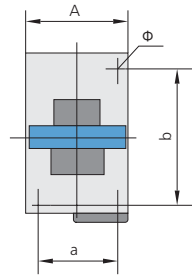
6. Technical information

6.1 Terminal connection

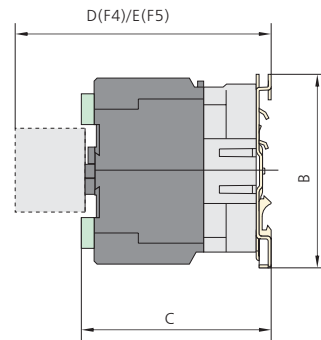
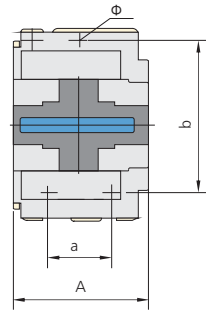
Model	Cabling cross section(Cu)				Screw size	Tightening torque (N · m)
	Number of piece	Flexible cable with cold-pressed socket (mm ²)	Flexible cable without cold-pressed socket (mm ²)	Inflexible cable (mm ²)		
NC1-09(Z)	1	1/2.5	1/4	1/4	M3.5	0.8
	2	1/2.5	1/2.5	1/4	M3.5	0.8
NC1-12(Z)	1	1/2.5	1/4	1/4	M3.5	0.8
	2	1/2.5	1/2.5	1/4	M3.5	0.8
NC1-18(Z)	1	1.5/4	1.5/6	1.5/6	M3.5	0.8
	2	1.5/4	1.5/4	1.5/6	M3.5	0.8
NC1-25(Z)	1	1.5/4	1.5/10	1.5/6	M4	1.2
	2	1.5/4	1.5/6	1.5/6	M4	1.2
NC1-32(Z)	1	2.5/6	2.5/10	2.5/10	M4	1.2
	2	2.5/6	2.5/6	2.5/10	M4	1.2
NC1-40(Z)	1	6/25	6/25	6/25	M8	4
	2	4/10	4/10	4/10	M8	4
NC1-50(Z)	1	6/25	6/25	6/25	M8	4
	2	4/10	4/10	4/10	M8	4
NC1-65(Z)	1	6/25	6/25	6/25	M8	4
	2	4/10	4/10	4/10	M8	4
NC1-80(Z)	1	10/35	10/35	10/35	M10	6
	2	6/16	6/16	6/16	M10	6
NC1-95(Z)	1	10/35	10/35	10/35	M10	6
	2	6/16	6/16	6/16	M10	6

7. Overall and mounting dimensions (mm)

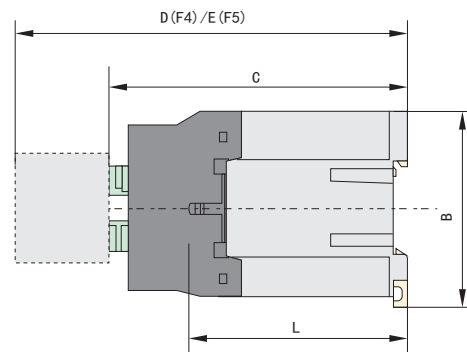
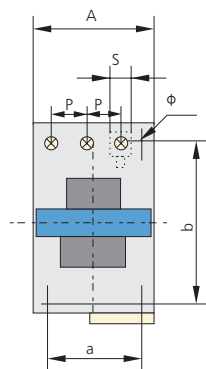
NC1-09~32



















NC1-40~95






NC1-09Z~32Z



5.2 Derived products when the contactor is assembled with following accessory module

Derived products	Contactor	Accessorial modular	Picture
Time-delay contactor		+  Time-delay block	
Reversing contactor		+  Mechanical interlock	
Magnetic starter		+  Thermal relay	
AC contactor for capacitor switching		+  Current-limiting contact assembly	
Star-delta starter		+  Time-delay block +  Auxiliary contact assembly	

5.3 Assembly with thermal over-load relay

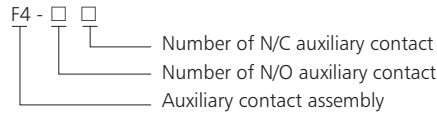
Model of contactor	Assembled thermal over-load relay			
	Model	Rated current (A)	Recommended fuse type	
			aM	gG
NC1-09 NC1-12 NC1-18 NC1-25 NC1-32	 NR2-25	0.1~0.16	0.25	2
		0.16~0.25	0.5	2
		0.25~0.4	1	2
		0.4~0.63	1	2
		0.63~1	2	4
		1~1.6	2	4
		1.25~2	4	6
		1.6~2.5	4	6
		2.5~4	6	10
		4~6	8	16
		5.5~8	12	20
		7~10	12	20
		9~13	16	25
12~18	20	35		
17~25	25	50		
NC1-32	 NR2-36	23~32	40	63
		28~36	40	80
NC1-40 NC1-50 NC1-65 NC1-80 NC1-95	 NR2-93	23~32	40	63
		30~40	40	100
		37~50	63	100
		48~65	63	100
		55~70	80	125
		63~80	80	125
		80~93	100	160

5. Accessories

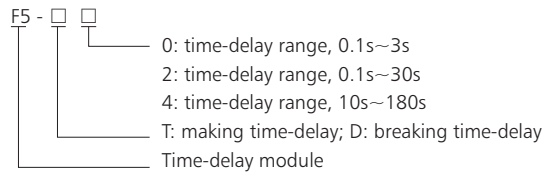
5.1 Accessories

Items		Model	NC1-09(Z)	NC1-12(Z)	NC1-18(Z)	NC1-25(Z)	NC1-32(Z)
AC coil	Coil power	In-rush (VA)	70	70	70	110	110
		Sealed (VA)	9	9	9.5	14	14
		Power (W)	1.8~2.7	1.8~2.7	3~4	3~4	3~4
	Operation range	Operation voltage	(85%~110%) Us				
Drop-out voltage		(20%~75%) Us					
Coil voltage(50Hz,60Hz, 50/60Hz)(V)		24,36,48,110,127,220,240,380,415,440,480,500,600,660					
DC coil	Coil power(W)		9	9	11	11	11
	Operation range	Pick-up voltage	(85%~110%) Us				
		Drop-out voltage	(10%~75%) Us				
	Coil voltage (V)		24,36,48,110,220				

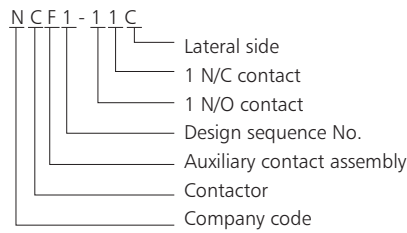
F4 auxiliary contact






F5 auxiliary contact



NCF1-11C lateral side auxiliary contact









Z)	NC1-40(Z)	NC1-50(Z)	NC1-65(Z)	NC1-80(Z)	NC1-95(Z)
	200	200	200	200	200
	57	57	57	57	57
	6~10	6~10	6~10	6~10	6~10
(85%~110%) Us (20%~75%) Us					
24,36,48,110,127,220,240,380,415,440,480,500,600					
	20	20	20	20	20
(85%~110%) Us (10%~75%) Us					

Picture	Model	Configuration of contacts	
		Number of N/O contact	Number of N/C contact
	F4-20	2	0
	F4-11	1	1
	F4-02	0	2
	F4-40	4	0
	F4-31	3	1
	F4-22	2	2
	F4-13	1	3
	F4-04	0	4
Picture	Model	Time-delay range	Number of time-delay contacts
	F5-T0	0.1s~3s	N/O+N/C
	F5-T2	0.1s~30s	N/O+N/C
	F5-T4	10s~180s	N/O+N/C
	F5-D0	0.1s~3s	N/O+N/C
	F5-D2	0.1s~30s	N/O+N/C
	F5-D4	10s~180s	N/O+N/C

4.2 DC coil contactor

★ DC coil operation(24V,110V,220V)




Items		Model	NC1-09Z	NC1-12Z	NC1-18Z	NC1-25Z
			Frame 1 (3P, 4P)		Frame 2 (3P)	Frame 3 (3P, 4P)
						
Rated conventional heating current (A) AC-1			20	20	32	40
Rated operational current (A)	380/400V	AC-3	9	12	18	25
		AC-4	3.5	5	7.7	8.5
	660/690V	AC-3	6.6	8.9	12	18
		AC-4	1.5	2	3.8	4.4
Conventional heating current (A)			20	20	32	40
Rated insulation voltage (V AC)			690	690	690	690
Power of controlled 3-phase cage motor (AC-3)	kW	220/230V AC	2.2	3	4	5.5
		380/400V AC	4	5.5	7.5	11
		660/690V AC	5.5	7.5	10	15
Operating frequency (operations/h)	Electrical	AC-3	1,200	1,200	1,200	1,200
		AC-4	300	300	300	300
	Mechanical			3,600	3,600	3,600
Electrical life (× 10 ³ operations)	AC-3		1,000	1,000	1,000	1,000
	AC-4		200	200	200	200
Mechanical life (× 10 ⁶ operations)			10	10	10	10
Matched fuse type			RT16-20	RT16-20	RT16-32	RT16-40


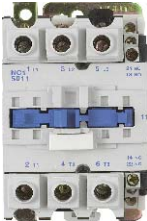

	NC1-32Z	NC1-40Z	NC1-50Z	NC1-65Z	NC1-80Z	NC1-95Z
	Frame 4 (3P)	Frame 5 (3P, 4P)			Frame 6 (3P, 4P)	
						
	50	60	80	80	95	95
	32	40	50	65	80	95
	12	18.5	24	28	37	44
	21	34	39	42	49	49
	7.5	9	12	14	17.3	21.3
	50	60	80	80	95	95
	690	690	690	690	690	690
	7.5	11	15	18.5	22	25
	15	18.5	22	30	37	45
	18.5	30	37	37	45	45
	600	600	600	600	600	600
	300	300	300	300	300	300
	3,600	3,600	3,600	3,600	3,600	3,600
	800	800	600	600	600	600
	200	150	150	150	100	100
	8	8	6	6	6	6
	RT16-50	RT16-63	RT16-80	RT16-80	RT16-100	RT16-125

4. Technical data

4.1 AC coil contactor

★ AC coil operation

Items		Model	NC1-09	NC1-12	NC1-18	NC1-25
			Frame 1 (3P, 4P)		Frame 2 (3P)	Frame 3 (3P, 4P)
						
Rated conventional heating current (A) AC-1			20	20	32	40
Rated operational current (A)	380/400V	AC-3	9	12	18	25
		AC-4	3.5	5	7.7	8.5
	660/690V	AC-3	6.6	8.9	12	18
		AC-4	1.5	2	3.8	4.4
Rated insulation voltage (V AC)			690	690	690	690
Power of controlled 3-phase cage motor (AC-3)	kW	220/230V AC	2.2	3	4	5.5
		380/400V AC	4	5.5	7.5	11
		660/690V AC	5.5	7.5	10	15
	hp	200V AC	3	5	7.5	7.5
		240V AC	3	5	7.5	10
		460V AC	5	7.5	10	15
600V AC		5	7.5	10	15	
Operating frequency (operations/h)	Electrical	AC-3	1,200	1,200	1,200	1,200
		AC-4	300	300	300	300
	Mechanical		3,600	3,600	3,600	3,600
Electrical life ($\times 10^5$ operations)	AC-3		1,000	1,000	1,000	1,000
	AC-4		200	200	200	200
Mechanical life ($\times 10^6$ operations)			10	10	10	10
Matched fuse type			RT16-20	RT16-20	RT16-32	RT16-40

	NC1-32	NC1-40	NC1-50	NC1-65	NC1-80	NC1-95
	Frame 4 (3P)	Frame 5 (3P, 4P)			Frame 6 (3P, 4P)	
						
	50	60	80	80	95	95
	32	40	50	65	80	95
	12	18.5	24	28	37	44
	21	34	39	42	49	49
	7.5	9	12	14	17.3	21.3
	690	690	690	690	690	690
	7.5	11	15	18.5	22	25
	15	18.5	22	30	37	45
	18.5	30	37	37	45	45
	10	15	15	20	25	30
	15	20	20	25	30	30
	20	25	30	40	40	50
	20	25	30	40	40	50
	600	600	600	600	600	600
	300	300	300	300	300	300
	3,600	3,600	3,600	3,600	3,600	3,600
	800	800	600	600	600	600
	200	150	150	150	100	100
	8	8	8	8	6	6
	RT16-50	RT16-63	RT16-80	RT16-80	RT16-100	RT16-125



NC1 Contactor, 9~95A

1. General

- 1.1 Certificates: CE, KEMA, VDE, EK, ESC, UKrSEPRO, GOST, RCC, UL;
- 1.2 Electric ratings: AC50/60Hz, 690V, up to 95A;
- 1.3 Application: remote making & breaking circuits; protect circuit from over-load when assembling with thermal over-load relay; Frequent start-up and control of AC contactor;
- 1.4 Utilization category: AC-3, AC-4;
- 1.5 Altitude: ≤2000m;
- 1.6 Ambient temperature: -5°C~+40°C;
- 1.7 Mounting category: III
- 1.8 Mounting conditions: inclination between the mounting plane and the vertical plane should not exceed ±5°
- 1.9 Standard: IEC/EN 60947-4-1



2. Type designation

NC 1-□□ □□ - □

Z: DC coil Blank: AC coil

Number of contacts

10: 3 N/O main contacts+1 N/O auxiliary contact (9A,12A,18A,25A,32A)

01: 3 N/O main contacts+1 N/C auxiliary contact (9A,12A,18A,25A,32A)

11: 3 N/O main contacts+1 N/O and 1N/C auxiliary contact (40A,50A,65A,80A,95A)

04: 4 N/O main contacts (9A,12A,25A,40A,50A,65A,80A,95A)

08: 2 N/O and 2N/C main contacts (9A,12A,25A,40A,50A,65A,80A,95A)

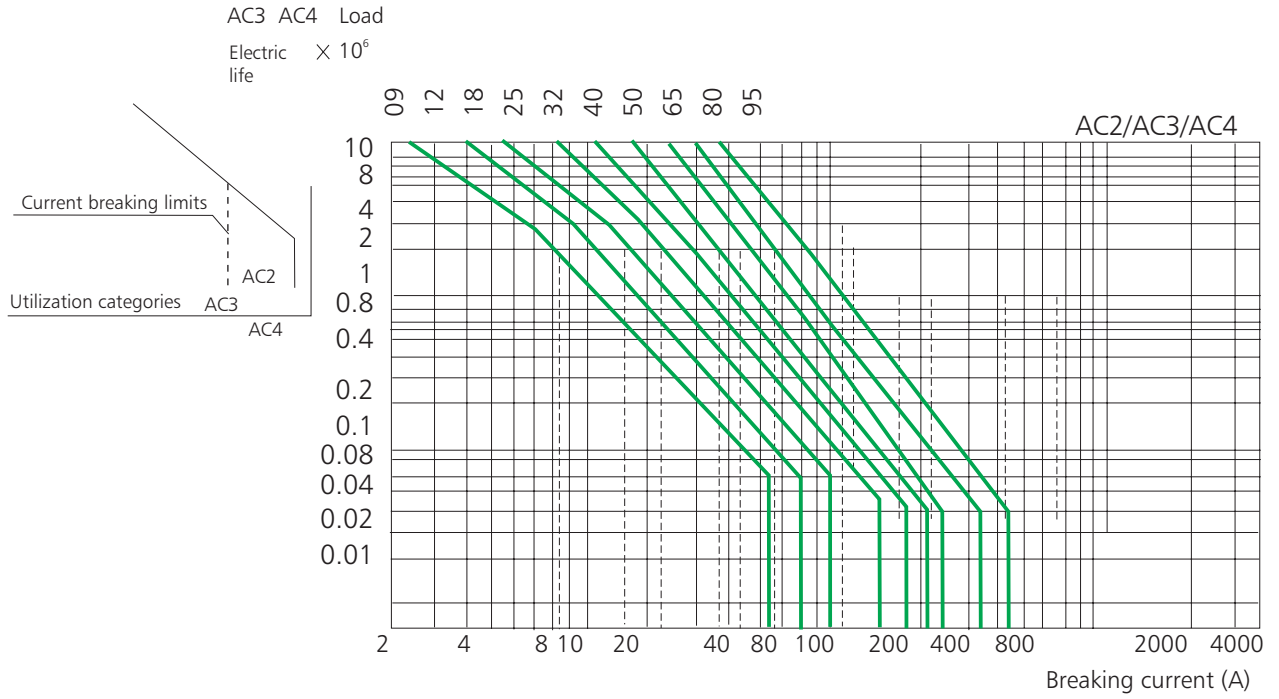
Basic specification, expressed with the rated operational current (380V/400V, AC-3)

Design sequence No.

Contactor

Company code

3. Curves







Voltage (V)	0.75	1.1	1.5	2.2	3	4	5.5	7.5	11	15	18.5	22	30	37	45	55	75	90	110	132	160	200	250	315	335	400	250	315	
220/230V	-	-	-	-	-	-	-	-	-	-	-	-	-	-	-	-	-	-	-	-	-	-	-	-	-	-	-	-	-
380/400V	-	-	-	-	-	-	-	-	-	-	-	-	-	-	-	-	-	-	-	-	-	-	-	-	-	-	-	-	-
440V	-	-	-	-	-	-	-	-	-	-	-	-	-	-	-	-	-	-	-	-	-	-	-	-	-	-	-	-	-


3. Technical data

3.1 Contactor

★ 3P contactor AC coil operation

Items		Model	NC6-06	NC6-06-K	NC6-09	NC6-09-K
						
Rated conventional heating current (A)	AC-1		20		20	
Rated operational current (A)	AC-3/AC-4	380/400V	6		9	
		660/690V	3.8		5	
Power of motor	kW (AC-3)	220/230V	1.5		2.2	
		380/400V	2.2		4	
		660/690V	3		4	
	hp	240V	-		2	
		400V	-		3	
		600V	-		3	
Operating cycles (operations/h)	Electrical	AC-3	1,200		1,200	
		AC-4	300		300	
	Mechanical	3,600		3,600		
Electrical life (× 10 ³ operations)	AC-3		1,200		1,200	
	AC-4		25		25	
Mechanical life (× 10 ⁶ operations)			10		10	
Matching fuse model			RT16-16		RT16-20	

★ 4P contactor AC operation

Items		Model	NC6-06	NC6-09
				
Rated operational current (A)	AC-1		20	20
	AC-3/AC-4	380/400V	6	9
		660/690V	3.8	5
Power of motor	kW (AC-3)	220V/230V/240V	1.5	2.2
		380/400V	2.2	4
		660/690V	3	4
	hp	240V	-	2
		400V	-	3
		600V	-	3
Operating cycles (operations/h)	Electrical	AC-3	1,200	1,200
		AC-4	300	300
	Mechanical	3,600	3,600	
Electrical life (× 10 ³ operations)	AC-3		1,200	1,200
	AC-4		25	25
Mechanical life (× 10 ⁶ operations)			10	10
Matching fuse model			RT16-16	RT16-20

3.2 AC coil specifications

Items		Model	NC6-06	NC6-09
Rated control voltage (V AC)			24, 36, 48, 110, 127, 220, 230, 380, 400	
Coil power (VA)	In-rush		30	30
	Sealed		4.5	4.5

4. Terminal connection

Model	Number of piece	Conductor (mm ²)	Screw size	Tightening torque (N · m)
NC6-06	1	2.5	M3	0.5
NC6-09	1	2.5	M3	0.5



5. Accessories

5.1 Auxiliary contact

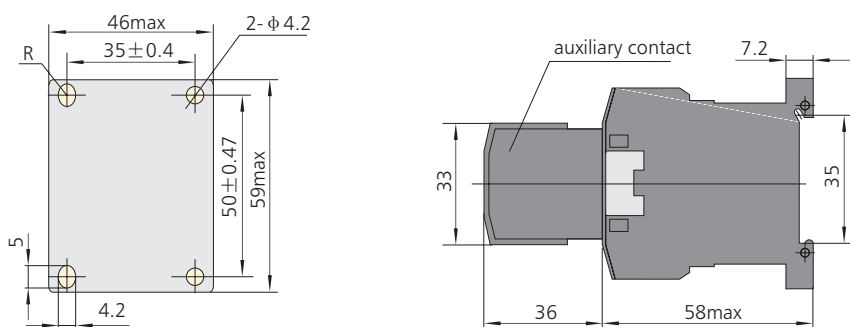
Model	Auxiliary contact		
	Model of assembled contact	Conventional heating current (A)	Control capacity
NC6-06	NCF6-20; NCF6-02	10	AC-15: 360VA
	NCF6-11; NCF6-40		DC-13: 33W
	NCF6-31; NCF6-22		
NC6-09	NCF6-13; NCF6-04	10	AC-15: 360VA
	NCF6-20; NCF6-02		DC-13: 33W
	NCF6-11; NCF6-40		
	NCF6-31; NCF6-22		
	NCF6-13; NCF6-04		



5.2 Assembly with thermal over-load relay

Model of contactor	Assembled thermal over-load relay			
	Model	Rated current (A)	Recommended fuse type	
			aM	gG
 NC6-09	 NR2-11.5	0.1~0.16	0.25	2
		0.16~0.25	0.5	2
		0.25~0.4	1	2
		0.4~0.63	1	2
		0.63~1	2	4
		1~1.6	2	4
		1.25~2	4	6
		1.6~2.5	4	6
		2.5~4	6	10
		4~6	8	16
		5.5~8	12	20
		7~10	12	20
9~13	16	25		

6. Overall and mounting dimensions (mm)



mm

Type	Amax	Bmax	Cmax	Dmax	Emax	a	b	φ
NC7-09~12	47	76	86	124.5	144.5	34/35	50/60	4.5
NC7-18	47	76	91	129.5	149.5	34/35	50/60	4.5
NC7-25	57	86	98	136.5	156.5	40	48	4.5
NC7-32~38	57	86	102	140.5	160.5	40	48	4.5
NC7-40~65	77	129	119	157.5	177.5	64	100~110	6
NC7-80~95	87	129	127	165.5	185.5	64	100~110	6
NC7-115~170	122	158	157	195.5	215.5	96~110	130	7
NC7-205	171	197	186			80	110~120	6.5
NC7-250	202	203	215			96	110~120	6.5
NC7-300	213	206	220			96	110~120	6.5
NC7-410	213	206	221			80	170~180	8.5
NC7-475	233	238	233			80	170~180	8.5
NC7-620	309	304	256			180	180~190	10.5

8. Ordering information

The following to be indicated when ordering:

- 8.1 Full name and type of the contactor
- 8.2 Rated control source voltage and frequency or size code of the coil
- 8.3 If you need to order the AX-3 auxiliary contactor block, F5 air delay head or standard rail track for the product, you should further give a clear indication; For products of 205A or higher, the auxiliary contactor blocks will not be attached for lack of indication such as the number of those blocks and how they are combined.
- 8.4 When the NC7 9A-170A products leave the factory, the body is not provided with the dust cap. It is hoped users will further give a clear indication when they need it.

8.5 Amount on order

8.6 The 95A-or-lower derivative N conventional products triple poles are provided in the mode of reversible wiring, so you must give clear indication for your special wiring mode.

8.7 The 205A-or-higher derivative NS conventional products triple poles are provided in the mode of reversible wiring, so you must give clear indication for your special wiring mode.

8.8 Order Sample:

10 units of NC7-0910 ac contacts, coil voltage 220V/50Hz, with 5 pieces of AX/3-22

10 units of NC7-300 ac contacts, coil voltage 220V/50Hz, with 10 pieces of AX/3-22 further attached

Mechanical interlocking mechanism to be order	Writing format for ordering
NC7-205 combined with NC7-620 Aertical installation, Mechanical interlocking mechanism, 30 sets	NJLc-GL 30 sets
Two NC7-250 combination in a mode of Horizontal installation, Mechanical interlocking mechanism, 30 sets	NJLc-HH 30 sets



NC6 Contactor, 6~9A

1. General

- 1.1 Certificates: CE, VDE, UKrSEPRO, GOST, UL;
- 1.2 Electric ratings: AC50/60Hz, up to 690V, up to 9A;
- 1.3 Application: remotely makes and breaks circuit, protect circuit from overload assembling with proper thermal relay;
- 1.4 Utilization category: AC-1, AC-3, AC-4;
- 1.5 Ambient temperature: -5°C~+40°C;
- 1.6 Altitude: ≤2000m;
- 1.7 Mounting category: III
- 1.8 Mounting conditions:
inclination between mounting plane and vertical plane not exceed ±30°
- 1.9 Standard: IEC/EN 60947-4-1

2. Type designation

N C 6 - □ □ □ □ □

Blank: Screw-clamp connection
 K: With solder "pins"
 for direct connection
 to printed circuit boards.

Number of contacts
 10: 3N/O main contacts,
 1N/O auxiliary contact
 01: 3N/O main contacts,
 1N/C auxiliary contact
 04: 4N/O main contacts
 08: 2N/O+2N/C main contacts

Rated operational current (AC-3, 380V)

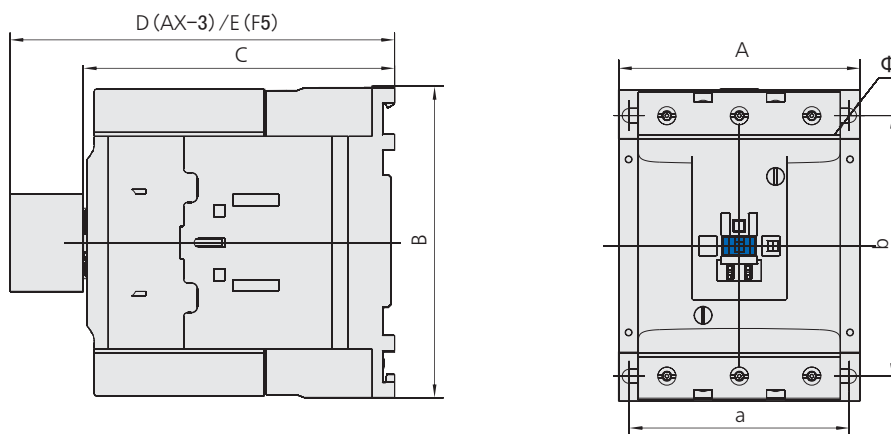
Design sequence No.

Contactor

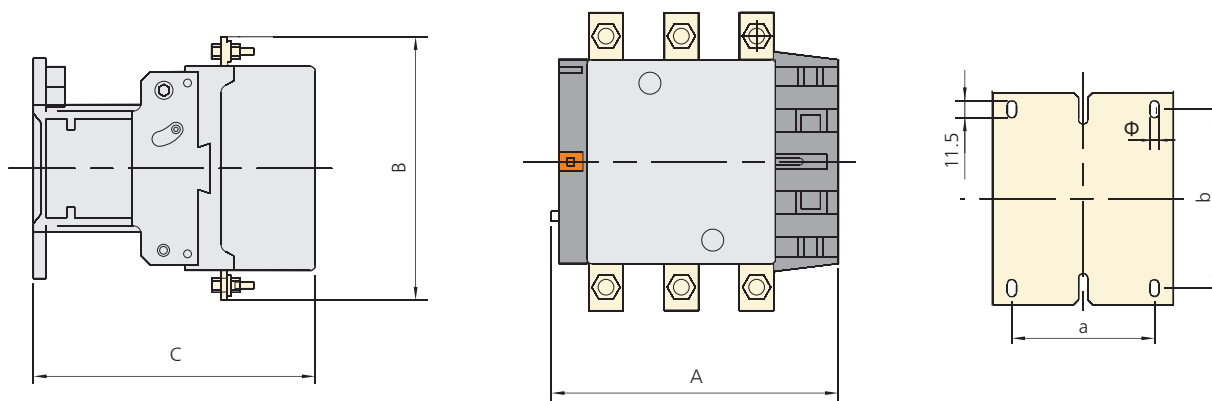
Company code



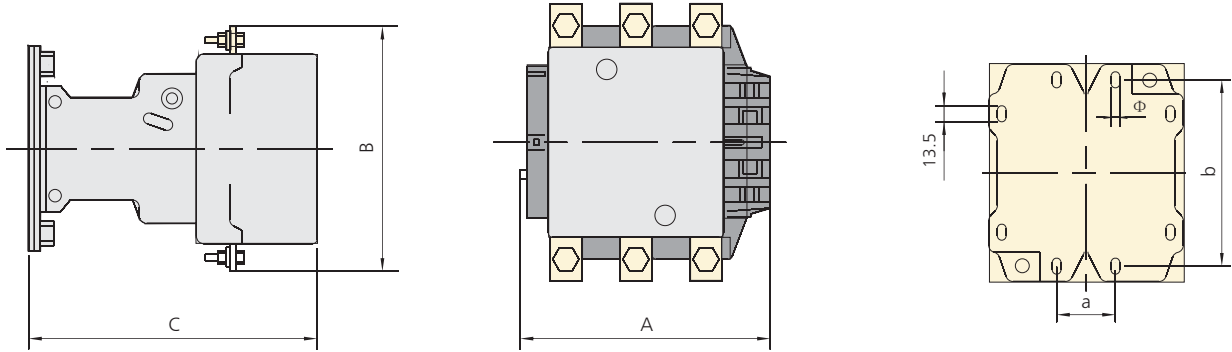
NC7 115~170



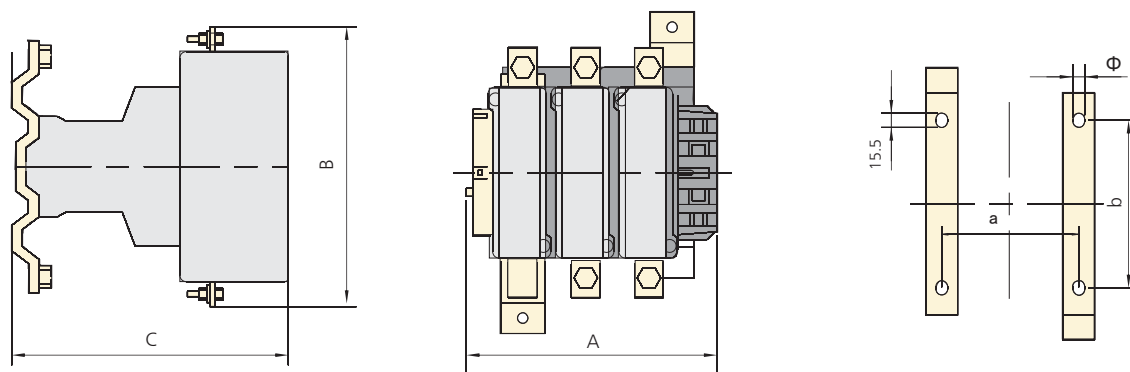
NC7 205~300



















NC7 410~475



NC7 620

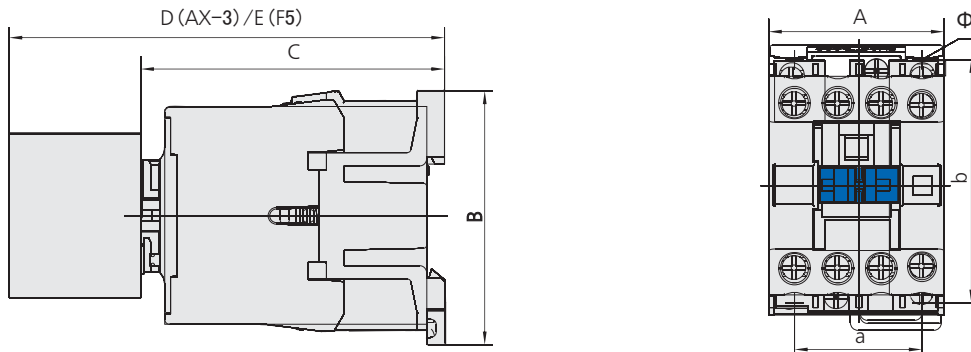


6. Derivative products

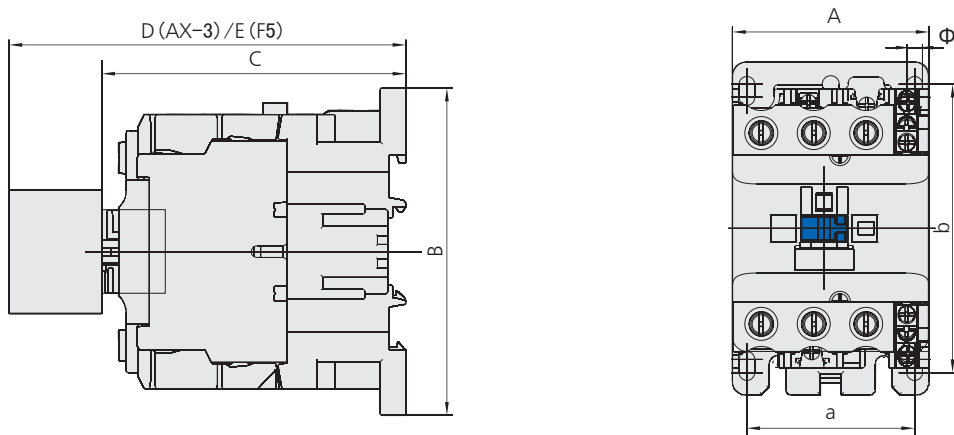
Derivative products	Contactor	Auxiliary module	Schematic drawing
Reversing contactor		+  Mechanical interlocking mechanism	→ 
Timing-delay contactor		+  Air delay head	→ 
Star-delta starter		+  +  Air delay head Auxiliary contactor block	→ 
Magnetic starter		+  Thermal relay	→ 
AC contactor for capacitor switching		+  Current limiting contact block	→ 

7. Overall and mounting dimensions

NC7 09~38



NC7 40~95



5. Main parameters and technical performance

5.1 Main parameters and technical performance criteria for the NC7 product

Type		NC7-09	NC7-12	NC7-18	NC7-25	NC7-32	NC7-38	NC7-40	NC7-50	NC7-65	NC7-80	NC7-95										
Rated operational current (A)	380V/400V	AC-3	9	12	18	25	32	38	40	50	65	80	95									
		AC-4	3.5	5	7.7	8.5	12	12	18.5	24	28	37	44									
	660V/690V	AC-3	6.6	8.9	12	18	22	22	34	39	42	49	49									
		AC-4	1.5	2	3.8	4.4	7.5	7.5	9	12	14	17.3	21.3									
Appointed free air heat generation current (A)		20	20	32	40	50	50	60	80	80	110	110										
Rated insulation voltage (V)		690	690	690	690	690	690	690	690	690	690	690										
Rated impulse withstand voltage (kV)		6	6	6	6	6	6	8	8	8	8	8										
Rated making capacity		Making current: 10xIe(AC-3) or 12xIe(AC-4)																				
Rated breaking capacity		Making/breaking current: 8xIe(AC-3) or 10xIe(AC-4)																				
Short time withstand current (10s)		72	96	144	200	256	304	320	400	520	640	760										
Controllable three-phase squirrel-cage motor power(AC-3)kW	380V/400V	4	5.5	7.5	11	15	18.5	18.5	22	30	37	45										
	660V/690V	5.5	7.5	10	15	18.5	18.5	30	37	37	45	45										
Intermittent-periodic-duty motor power(AC-4)kW	380V/400V	1.5	2.2	3	4	5.5	5.5	7.5	11	15	18.5	22										
	600V/690V	1.1	1.5	3.7	4	5.5	5.5	7.5	11	11	15	18.5										
Frequency of operation (times/h)	AC-3	1200	1200	1200	1200	600	600	600	600	600	600	600										
	Electrical life AC-4	300	300	300	300	300	300	300	300	300	300	120										
	Mechanical life	3600	3600	3600	3600	3600	3600	3600	3600	3600	3600	3600										
Electrical life (ten thousand times)	AC-3	100	100	100	100	80	80	80	60	60	60	60										
	AC-4	20	20	20	20	20	20	15	15	15	10	10										
Mechanical life (ten thousand times)		1000	1000	1000	1000	800	800	800	800	800	600	600										
Type of the fuse adapted		RT36-20	RT36-20	RT36-32	RT36-40	RT36-50	RT36-50	RT36-63	RT36-80	RT36-80	RT36-100	RT36-125										
Piece (of string, etc)		1	2	1	2	1	2	1	2	1	2	1	2									
Cold-pressed terminal	Non-prefabricated-tip cord	1/2.5	1/2.5	1/2.5	1/2.5	1.5/4	1.5/4	1.5/4	1.5/4	2.5/6	2.5/6	2.5/6	6/25	4/10	6/25	4/10	6/25	4/10	10/35	6/16	10/35	6/16
	Cord with the prefabricated tip mm ²	1/4	1/2.5	1/4	1/2.5	1.5/6	1.5/4	1.5/10	1.5/6	2.5/10	2.5/6	2.5/6	6/25	4/10	6/25	4/10	6/25	4/10	10/35	6/16	10/35	6/16
	Non-prefabricated-tip hard wire	1/4	1/4	1/4	1/4	1.5/6	1.5/6	1.5/6	1.5/6	2.5/10	2.5/10	2.5/10	6/25	4/10	6/25	4/10	6/25	4/10	10/35	6/16	10/35	6/16
Connection terminal screw size and tightening torque (N·m)		M3.5	M3.5	M3.5	M4	M4	M4	M4	M8	M8	M8	M10	M10									
AC coil power	50Hz	Attracting (VA)	70	70	70	110	110	110	200	200	200	200	200									
		Holding (VA)	9	9	9.5	14	19	19	57	57	57	57	57									
		Power (W)	1.8~2.7	1.8~2.7	3~4	3~4	3~4	3~4	6~10	6~10	6~10	6~10	6~10									
Action (actuating)range		Pull-in voltage: 85%Us~110%Us; Release voltage: 20%Us~75%Us																				
Basic parameters of the auxiliary contact		AC-15: 360VA DC-13: 33W Ith: 10A																				

5.2 Rated control source voltage Us and code for the NC7 ac contactor of 95A or lower

Coil voltage Us(V)	24	36	42	48	110	127	220	230	240	380	400	415	440	480	500	600	660
50Hz	B5	C5	D5	E5	F5	G5	M5	P5	U5	Q5	V5	N5	R5	T5	S5	X5	Y5
60Hz	B6	C6	D6	E6	F6	G6	M6	P6	U6	Q6	V6	N6	R6	T6	S6	X6	Y6
50/60Hz	B7	C7	D7	E7	F7	G7	M7	P7	U7	Q7	V7	N7	R7	T7	S7	X7	Y7

Type		NC7-115	NC7-150	NC7-170	NC7-205	NC7-250	NC7-300	NC7-410	NC7-475	NC7-620	
Rated operational current (A)	380V/400V	AC-3	115	150	170	205	250	300	410	475	620
		AC-4	115	150	150	205	250	300	410	475	620
	660V/690V	AC-3	86	107	118	137	170	235	303	353	462
		AC-4	86	107	107	137	170	235	303	353	462
Appointed free air heat generation current (A)		200	200	275	275	315	380	450	630	800	
Rated insulation voltage (V)		1000	1000	1000	1000	1000	1000	1000	1000	1000	
Rated impulse withstand voltage (kV)		8	8	8	8	8	8	8	8	8	
Rated making capacity	Making current: 10xIe(AC-3) or 12xIe(AC-4)										
Rated breaking capacity	Making/breaking current: 8xIe(AC-3) or 10xIe(AC-4)										
Short time withstand current (10s)		920	1200	1360	1640	2000	2400	3280	3600	4960	
Controllable three-phase squirrel-cage motor power (AC-3) kW	380V/400V	55	75	90	110	132	160	200	250	335	
	660V/690V	80	100	110	129	160	220	280	335	450	
Intermittent-periodic-duty motor power (AC-4) kW	380V/400V	55	75	75	110	132	160	200	250	335	
	600V/690V	80	100	100	129	160	220	280	335	450	
Frequency of operation (times/h)	AC-3	1200	1200	600	600	600	600	600	600	600	
	Electrical life	AC-4	120	120	120	60	60	60	60	60	60
		Mechanical life	1200	1200	600	600	600	600	600	600	600
Electrical life (ten thousand times)	AC-3	80	80	60	60	60	60	60	60	60	
	AC-4	2	2	1	1	1	1	1	0.6	0.6	
Mechanical life (ten thousand times)		600	600	600	600	600	600	600	600	600	
Type of the fuse adapted		NT3-225	NT3-225	NT3-315	RT36-3	RT36-3	RT36-3	RT36-3	RT36-4	RT36-4	
Action (actuating) range	Pull-in voltage: 85%Us~110%Us; Release voltage: 20%Us~75%Us; NC7-250~620 Release voltage: 10%Us~75%Us										
Basic parameters of the auxiliary contact	AC-15: 360VA DC-13: 33W Ith: 10A										






Type	NC7-115	NC7-150	NC7-170	NC7-205	NC7-250	NC7-300	NC7-410	NC7-475	NC7-620
Piece (of string, etc)	2	2	2	1	1	1	1 (2)	2	2
Cable (mm ²)	10~90	10~90	10~90	95~150	120~185	185~240	240 (150)	150~185	185~240
Copper (mm)	-	-	-	-	-	-	30X5	40X5	50X5
Bolt	M10	M10	M10	M10	M10	M10	M10	M10	M12
Tightening torque(N·m)	10	10	10	10	10	10	10	10	14


5.3 Rated control source voltage Us and code for the NC7 ac contactor (205A - 620A) product coil


Coil code Contactor type	Control voltage (V)					Power VA		Schematic drawing
		110	127	220	380	Start	Hold	
NC7-205		FG110	FG127	FG220	FG380	966	91.2	
NC7-250		FI110	FI127	FI220	FI380	1500	34.2	
NC7-300		FI110	FI127	FI220	FI380	1500	34.2	
NC7-410		FJ110	FJ127	FJ220	FJ380	1500	34.2	
NC7-475		FK110	FK127	FK220	FK380	1500	34.2	
NC7-620		FL110	FL127	FL220	FL380	1700	34.2	




Note: Products of NC7-250 or higher are duplex winding ones.

Modularized accessories which can be installed additionally

 AX-3 Auxiliary contact	Number of auxiliary contacts	4NO	AX-3/40	Able to be used for the whole series products
		3NO+1NC	AX-3/31	
		2NO+2NC	AX-3/22	
		1NO+3NC	AX-3/13	
		4NC	AX-3/04	
		2NO	AX-3/20	
		1NO+1NC	AX-3/11	
		2NC	AX-3/02	
 F5 1N/O+1N/C Air delay head	On-delay time (s)	0.1~3	F5-T0	Able to be used for the whole series products
		0.1~30	F5-T2	
		10~180	F5-T4	
		0.1~3	F5-D0	
	Off-delay time (s)	0.1~30	F5-D2	
		10~180	F5-D4	
 NCF1-11C Secondary side suspension auxiliary contact	Number of auxiliary contacts	1NO+1NC	NCF1-11C	Able to be used for the products of 170A or lower
 SR2-A Surge suppressor	Suppression voltage range	AC 24V~48V	SR2 24V~48V	ble to be used for the products of 9A~38A or lower
		AC 100V~250V	SR2 100V~250V	
		AC 380V~440V	SR2 380V~440V	
 SR2-B Surge suppressor		AC 24V~48V	SR2-B 24V~48V	ble to be used for the products of 40A~95A or lower
		AC 100V~250V	SR2-B 100V~250V	
		AC 380V~440V	SR2-B 380V~400V	

 NR2 Thermal overload relay	NR2-25	9A~32A
	NR2-36	32A, 38A
	NR2-93	40A~95A
	NR2-150	115A~150A
	NR2-200	115A~205A
	NR2-630	205A~620A

 NRE8 Electronic overload relay	NRE8-25	9A~32A
	NRE8-40	40A
	NRE8-100	40A~95A
	NRE8-200	115A~205A
	NRE8-630	205A~620A

 Mechanical interlock module	How to purchase the products of 95A or lower	Purchase individually	How to purchase the products of 205A or higher	Purchase it individually, and install it by yourself
		Reversible product without connecting wire Reversible product with connecting wire		Directly purchase the reversible products (specified current for two contactors to be the same)
  Mechanical interlock module	Over 205A product mechanical interlocking mechanism code	Horizontal installation	NJLs-GG	NC7-205 Combination of two units
			NJLs-HH	NC7-250_300 Combination of two arbitrary units
			NJLs-KK	NC7-410_475 Combination of two arbitrary units
			NJLs-LL	NC7-620 Combination of two units
		Vertical installation	NJLc-GG	NC7-205 Combination of two units
			NJLc-GH	NC7-205 and NC7-250_300
			NJLc-GK	NC7-205 and NC7-410_475
			NJLc-GL	NC7-205 and NC7-620
			NJLc-HH	NC7-250_300 Combination of two units
			NJLc-HK	NC7-250_300 and NC7-410_475
NJLc-HL	NC7-250_300 and NC7-620			
NJLc-KK	NC7-410_475 Combination of two units			
NJLc-KL	NC7-410_475 and NC7-620			
NJLc-LL	NC7-620 Combination of two units			

Specified current	205A	250A	300A
-------------------	------	------	------



without auxiliary contacts, can mount two Top suspension auxiliary contacts	mount two AX-3/22 4NO+4NC Other mode	NC7-205	NC7-250	NC7-300			
IEC/EN 60974-4-1		kW	A	kW	A	kW	A
Appointed free air heat generation current (A)			275		315		380
Rated operational current and power	380V/400V(AC-3)	110	205	132	250	160	300
	380V/400V(AC-4)	110	205	132	250	160	300
	660V/690V(AC-3)	129	137	160	170	220	235
	660V/690V(AC-4)	129	137	160	170	220	235

Accessories which can be further attached



Top suspension auxiliary contact



Air delay head





Mechanical interlock module



Thermal overload relay



Electronic overload relay

Specified current	410A		475A		620A		
							
without auxiliary contacts, can mount two Top suspension auxiliary contacts	mount two AX-3/22 4NO+4NC Other mode	NC7-410 Note	NC7-475 Note	NC7-620 Note			
IEC/EN 60974-4-1	kW	A	kW	A	kW	A	
Appointed free air heat generation current (A)	450		630		800		
Rated operational current and power	380V/400V(AC-3)	200	410	250	475	335	620
	380V/400V(AC-4)	200	410	250	475	335	620
	660V/690V(AC-3)	280	303	335	353	450	462
	660V/690V(AC-4)	280	303	335	353	450	462

Accessories which can be further attached



Top suspension auxiliary contact



Air delay head





Mechanical interlock module



Thermal overload relay



Electronic overload relay

Specified current		40A		50A		65A		80A		95A	
											
Number of the auxiliary contacts provided with the body itself		1NO+1NC auxiliary contact		NC7-4011	NC7-5011	NC7-6511	NC7-8011	NC7-9511			
IEC/EN 60974-4-1		kW A		kW A	kW A	kW A	kW A	kW A			
Appointed free air heat generation current (A)		60		80		80		110		110	
Rated operational current and power	380V/400V(AC-3)	18.5	40	22	50	30	65	37	80	45	95
	380V/400V(AC-4)	7.5	18.5	11	24	15	28	18.5	37	22	44
	660V/690V(AC-3)	30	34	37	39	37	42	45	49	45	49
	660V/690V(AC-4)	7.5	9	11	12	11	14	15	17.3	18.5	21.3

Accessories which can be further attached



Side suspension auxiliary contact



Top suspension auxiliary contact



Air delay head



Mechanical interlock module



Surge suppressor



Thermal overload relay



Electronic overload relay

Specified current	115A	150A	170A
-------------------	------	------	------



Number of the auxiliary contacts provided with the body itself	2 NO+2NC auxiliary contact	NC7-115		NC7-150		NC7-170	
		kW	A	kW	A	kW	A
Appointed free air heat generation current (A)		200		200		275	
Rated operational current and power	380V/400V(AC-3)	55	115	75	150	90	170
	380V/400V(AC-4)	55	115	75	150	75	150
	660V/690V(AC-3)	80	86	100	107	110	118
	660V/690V(AC-4)	80	86	100	107	100	107

Accessories which can be further attached



Top suspension auxiliary contact



Air delay head



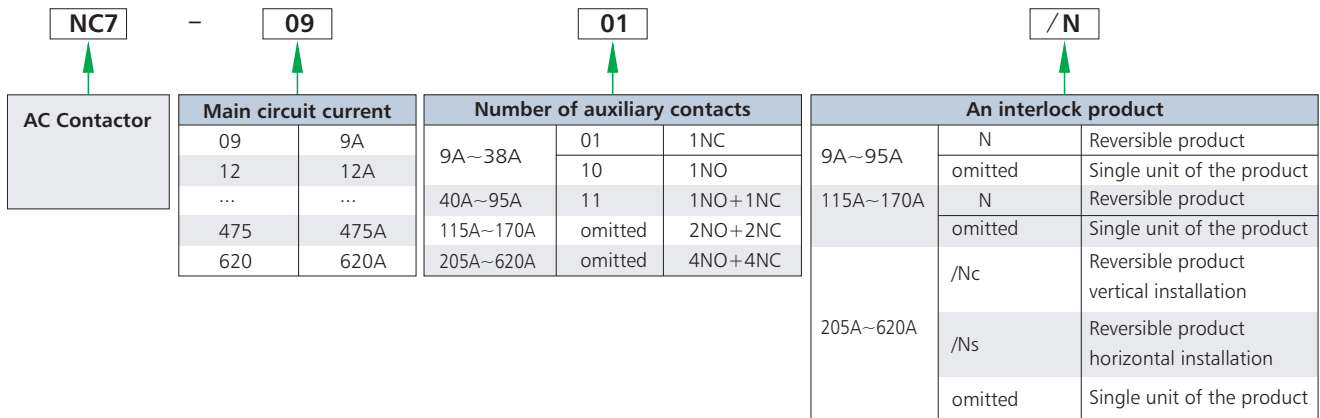
Side suspension auxiliary contact



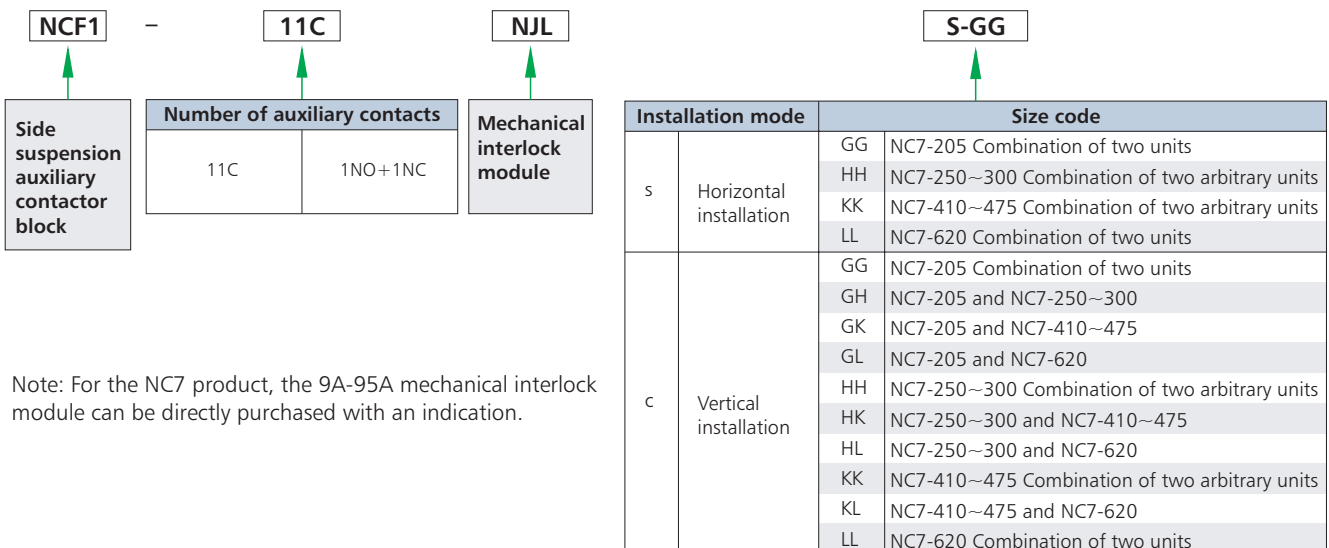
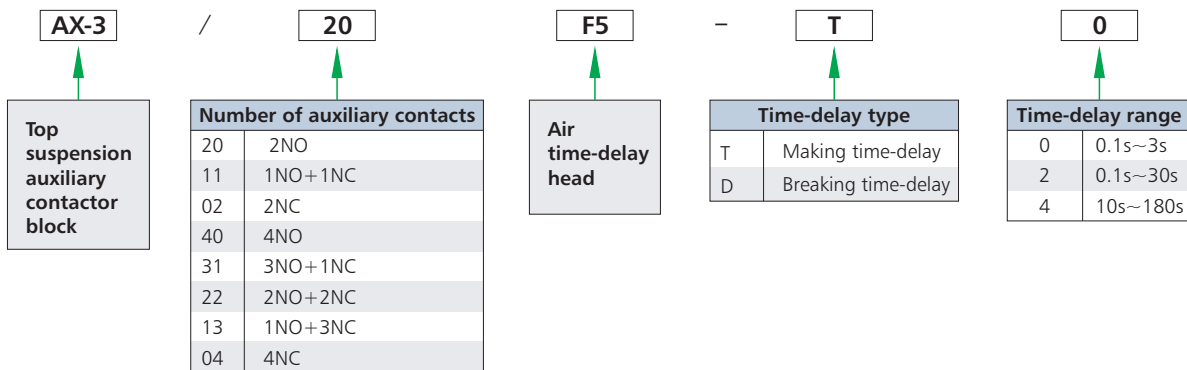
Mechanical interlock module

3. Type and meaning

3.1 Product type and meaning



3.2 Accessory type and meaning



Note: For the NC7 product, the 9A-95A mechanical interlock module can be directly purchased with an indication.

4. Quick type selection table

Specified current		9A		12A		18A		25A		32A		38A	
Number of the auxiliary contacts provided with the body itself	1 NO auxiliary contact	NC7-0910		NC7-1210		NC7-1810		NC7-2510		NC7-3210		NC7-3810	
	1 NC auxiliary contact	NC7-0901		NC7-1201		NC7-1801		NC7-2501		NC7-3201		NC7-3801	
IEC/EN 60974-4-1		kW A		kW A		kW A		kW A		kW A		kW A	
Appointed free air heat generation current (A)		20		20		32		40		50		50	
Rated operational current and power	380V/400V(AC-3)	4	9	5.5	12	7.5	18	11	25	15	32	18.5	38
	380V/400V(AC-4)	1.5	3.5	2.2	5	3	7.7	4	8.5	5.5	12	5.5	12
	660V/690V(AC-3)	5.5	6.6	7.5	8.9	10	12	15	18	18.5	22	18.5	22
	660V/690V(AC-4)	1.1	1.5	1.5	2	3.7	3.8	4	4.4	5.5	7.5	5.5	7.5

Accessories which can be further attached



Side suspension auxiliary contact



Top suspension auxiliary contact



Air delay head



Mechanical interlock module



Surge suppressor



Thermal overload relay



Electronic overload relay

Model of contactor	06M, 09M, 12M	09, 12	18	25	32, 38	40	50, 65	80, 100		
lamp technical data (220V/240V)										
maximum permissible number of lamps per phase										
W	A	μ F								
High press sodium vapour lamps (without compensation)										
150	1.9	-	4	6	7	10	13	17	22	31
250	3.2	-	2	3	4	5	8	10	13	18
400	5.0	-	1	2	3	3	5	6	8	12
700	8.8	-	-	-	2	2	2	3	4	6
1000	12.4	-	-	-	1	1	2	2	3	4
High press sodium vapour lamps (with parallel compensation)										
150	0.84	20	-	-	17	22	30	39	50	71
250	1.4	32	-	-	-	13	18	23	30	42
400	2.2	48	-	-	-	8	11	15	19	27
700	3.6	96	-	-	-	-	6	8	10	15
1000	5.5	120	-	-	-	-	-	6	7	10
High press hydrargyrum lamps (without compensation)										
50	0.54	-	14	22	27	35	48	64	77	111
80	0.81	-	9	14	18	23	32	40	51	74
125	1.20	-	6	9	12	15	21	27	34	49
250	2.30	-	3	5	6	8	11	14	17	26
400	4.10	-	1	2	3	4	6	8	10	14
700	6.80	-	-	1	2	2	3	4	6	8
1000	9.90	-	-	1	1	1	2	3	4	6
High press hydrargyrum lamps (with parallel compensation)										
50	0.30	10	-	40	50	63	86	110	140	120
80	0.45	10	-	26	33	42	57	73	93	133
125	0.67	10	-	17	22	28	38	49	62	89
250	1.3	18	-	9	11	14	20	25	32	46
400	2.3	25	-	-	6	8	11	14	18	26
700	3.8	40	-	-	-	5	6	8	11	15
1000	5.5	60	-	-	-	3	4	8	7	10

8. Ordering notice

8.1 The following items should be illustrated when ordering:

8.1.1 The full name and model of contactor;

8.1.2 Rated operational voltage and frequency of coil;

8.1.3 Ordering total pcs;

8.2 Ordering example: NC8-1822 AC contactor, coil voltage 220V, 50Hz 10 pcs;



NC7 Series AC Contactor

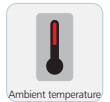
1. General

The NC7 series AC contactor (hereinafter referred to as "contractor") is mainly used in the circuit with an alternating current of 50Hz (or 60Hz), rated operational voltage up to 690V, and rated operational current up to 620A under the usage category of AC-3/400V; this contact is mainly used for remotely closing and breaking circuits, and can be combined with an appropriate thermal overload relay to form an electromagnetic starter so as to protect the circuits likely to be overloaded in operation; the contact is well suited for frequently starting and controlling AC motors.

This product meets the standard of IEC60947-4-1

2. Operation conditions

- 2.1 Ambient air temperature: $-5^{\circ}\text{C} \sim +40^{\circ}\text{C}$, its mean value not greater than $+35^{\circ}\text{C}$ within 24 hours.
- 2.2 Atmospheric conditions:
When the maximum temperature is $+40^{\circ}\text{C}$, the relative humidity of the air shall not be higher than 50%; a higher relative humidity is allowed at a lower temperature, e.g., up to 90% at 20°C . Special measures shall be taken for the condensation occasionally produced due to temperature change.
- 2.3 Altitude: not higher than 2000m.
- 2.4 Pollution grade: 3
- 2.5 Installation classification: III
- 2.6 Installation condition:
the installing surface shall be inclined at not greater than $\pm 5^{\circ}$ to the vertical.
- 2.7 Impact vibration:
The product shall be installed in the place free of remarkable shake, impact and vibration.



Ambient temperature



Altitude



No Pollution

7.2 The application in illumination circuit

Model of contactor			06M, 09M, 12M	09, 12	18	25	32, 38	40	50, 65	80, 100
lamp technical data (220V/240V)			maximum permissible number of lamps per phase							
W	A	μ F								
Incandescent lamp										
60	0.27	-	35	59	77	92	129	163	207	296
75	0.34	-	28	47	61	73	103	129	164	235
100	0.45	-	21	35	46	55	77	97	124	177
150	0.68	-	14	23	30	36	51	64	82	117
200	0.91	-	10	17	23	27	38	48	62	88
300	1.40	-	6	11	15	18	25	31	40	57
500	2.30	-	4	7	8	11	15	19	24	34
750	3.40	-	2	4	6	7	10	13	16	23
1000	4.60	-	2	3	4	5	7	9	12	17
Single fluorescent lamp (with starter, without compensation)										
20	0.39	-	24	41	53	66	89	112	143	205
40	0.45	-	21	35	46	57	77	97	124	177
65	0.70	-	12	22	30	37	50	62	80	114
80	0.80	-	12	20	26	32	43	55	70	100
110	1.15	-	8	12	15	20	26	35	46	66
Single fluorescent lamp (with starter, with parallel compensation)										
20	0.18	5	83	94	105	155	215	233	335	530
40	0.26	5	58	65	75	107	150	160	230	365
65	0.42	7	35	40	45	66	92	100	142	225
80	0.52	7	28	32	36	53	74	80	115	180
100	0.60	16	23	26	29	43	59	64	92	145
110	0.70	18	21	24	27	40	55	59	85	135
Fluorescent lamps in dual mounting (with starter, without compensation)										
2×20	2×0.22	-	21	36	46	58	78	100	126	180
2×40	2×0.41	-	11	18	24	30	42	52	68	96
2×65	2×0.67	-	7	10	14	18	26	32	40	58
2×80	2×0.82	-	5	8	12	14	20	26	34	48
2×110	2×1.10	-	4	6	8	10	14	18	24	36

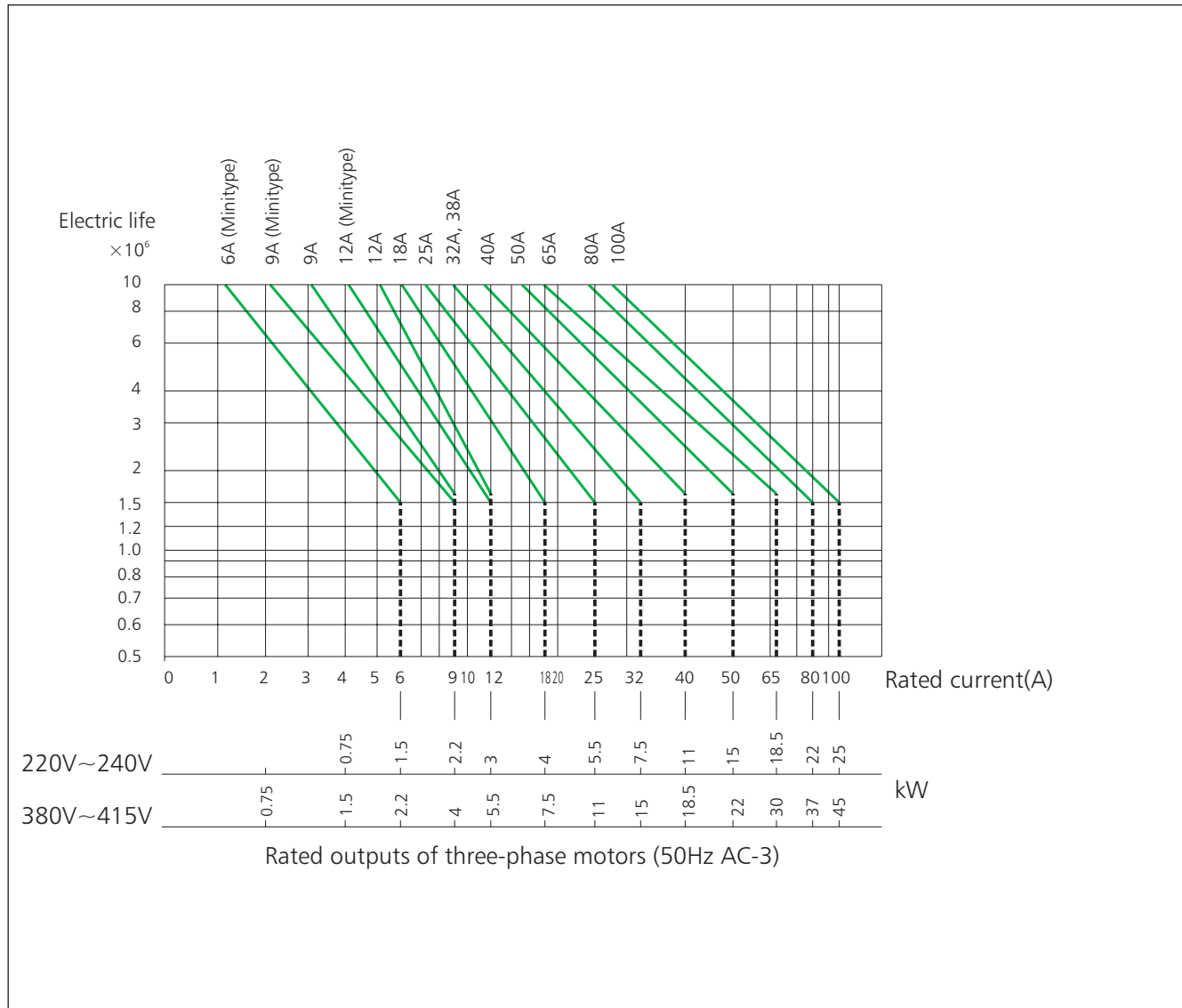
..... to be continued

Model of contactor	06M, 09M, 12M			09, 12	18	25	32, 38	40	50, 65	80, 100
lamp technical data (220V/240V)										
			maximum permissible number of lamps per phase							
W	A	μ F								
Fluorescent lamps in dual mounting (with starter, with compensation in series)										
2×20	2×0.13	-	36	60	80	100	134	168	214	306
2×40	2×0.24	-	20	32	42	54	72	90	116	166
2×65	2×0.39	-	12	20	26	32	44	56	70	102
2×80	2×0.48	-	10	16	20	26	36	44	58	82
2×110	2×0.65	-	7	12	16	20	26	32	42	60
Single fluorescent lamp (without starter, without compensation)										
20	0.43	-	22	37	48	60	97	102	130	186
40	0.55	-	17	29	38	47	63	80	101	145
65	0.80	-	12	20	26	32	43	55	70	100
80	0.95	-	10	16	22	27	36	46	58	84
110	0.40	-	6	11	15	18	25	31	40	57
Single fluorescent lamp (with starter, with parallel compensation)										
20	0.19	5	50	84	110	136	184	231	294	421
40	0.29	5	33	55	72	89	101	151	193	275
65	0.46	7	20	34	45	56	76	95	121	173
80	0.57	7	16	28	36	45	61	77	98	140
110	0.79	16	-	20	26	32	44	55	70	101
Fluorescent lamps (without starter, without compensation)										
2×20	2×0.25	-	19	32	42	52	70	88	112	160
2×40	2×0.47	-	10	16	22	26	36	46	158	84
2×65	2×0.76	-	6	10	12	16	22	28	36	52
2×80	2×0.93	-	5	8	10	12	18	22	30	42
2×110	2×1.30	-	3	6	8	10	12	16	20	30
Fluorescent lamps in dual mounting (without starter, with compensation in series)										
2×20	2×0.15	-	34	56	74	92	124	156	200	234
2×40	2×0.26	-	18	30	40	50	66	84	106	152
2×65	2×0.43	-	11	18	24	30	40	50	64	92
2×80	2×0.53	-	9	14	18	24	32	40	32	74
2×110	2×0.72	-	6	10	14	18	24	30	38	54
Low press sodium vapour lamps (with parallel compensation)										
35	0.3	17	-	40	50	63	86	110	140	200
55	0.4	17	-	30	37	47	65	82	105	150
90	0.6	25	-	-	25	31	43	55	70	100
135	0.9	36	-	-	-	21	28	36	46	66
150	1.0	36	-	-	-	19	26	33	42	60
180	1.2	36	-	-	-	15	21	27	35	50
200	1.3	36	-	-	-	14	20	25	32	46

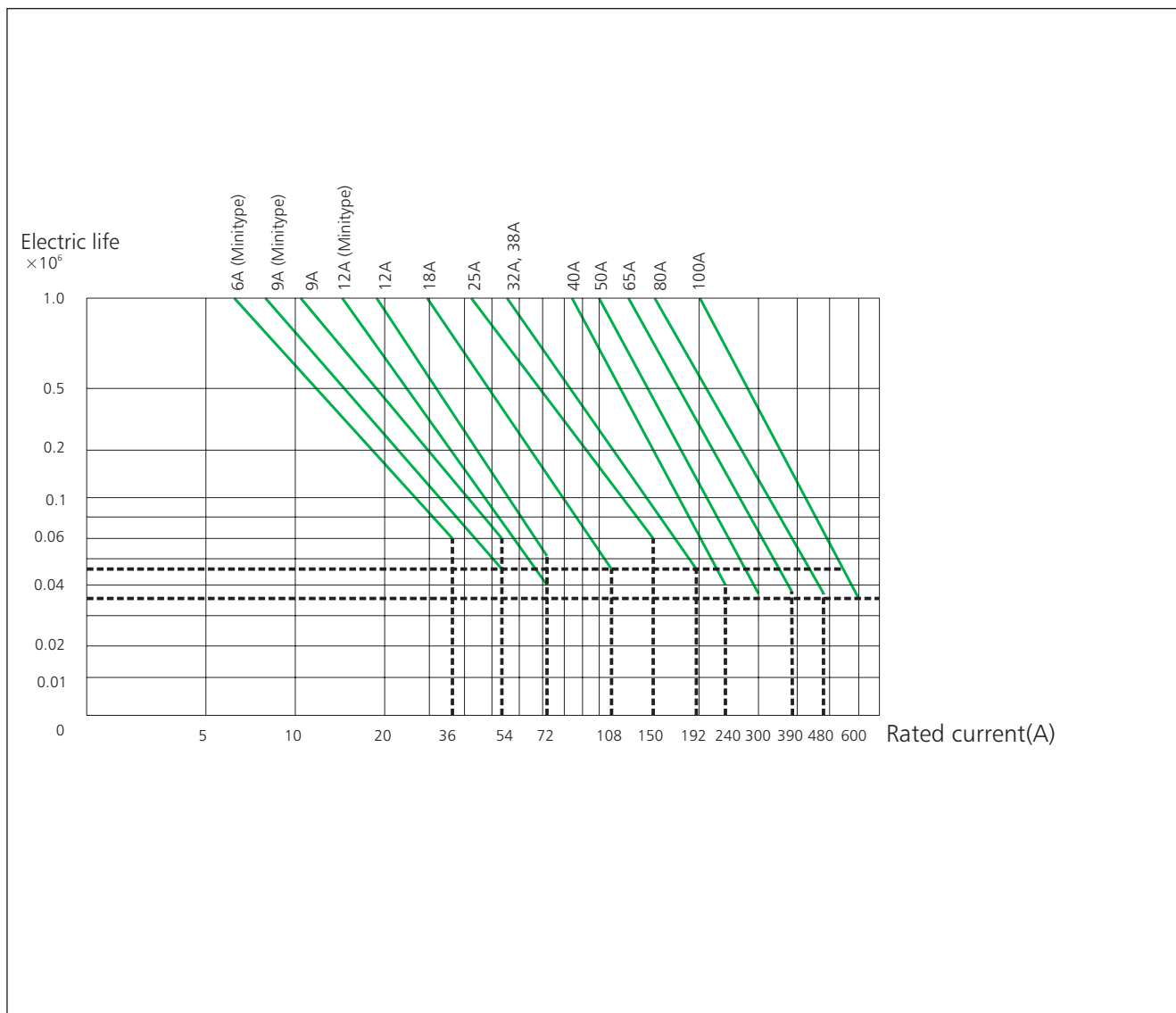
7. Excursus

7.1 Electric life Curves

Electric life curves (AC-3)



Electric life curves (AC-2, AC-4 Ue=400V/415V)



Example:

Request to control the start of three-phase motors

main technical parameter of three-phase motors: P=11kW, Ue=380V, Ie=22.6A

usage category: AC-3, The electric life span of request: 1,000,000 operations

the contactor should be NC8-25 according to the curves above

6. Overall and mounting dimensions(mm)

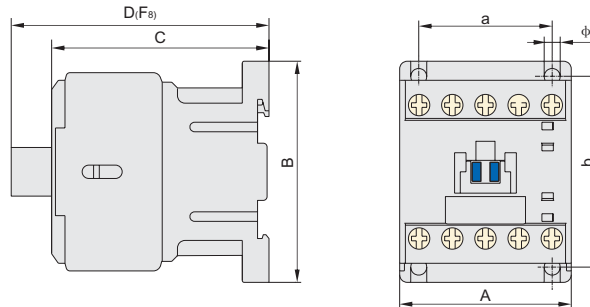


NC8-06M~12M
 NC8-06M/4~12M/4
 NC8-06M/22~12M/22

Model	Amax	Bmax	Cmax	Dmax	a	b	φ
NC8-06M~12M	46	59	58	94	35	50	4.0
NC8-06M/4~12M/4	46	59	58	94	35	50	4.0
NC8-06M/22~12M/22	46	59	58	94	35	50	4.0
NC8-06M/Z~12M/Z	46	59	70	106	35	50	4.0
NC8-06M/4/Z~12M/4/Z	46	59	70	106	35	50	4.0
NC8-06M/22/Z~12M/22/Z	46	59	70	106	35	50	4.0



NC8-06M/Z~12M/Z
 NC8-06M/4/Z~12M/4/Z
 NC8-06M/22/Z~12M/22/Z

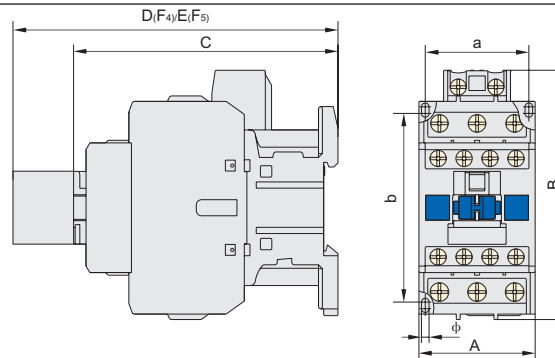


NC8-09~18
 NC8-0922~1822

Model	Amax	Bmax	Cmax	Dmax	E _{max}	a	b	φ
NC8-09~18	45	87	88	120	142	35	55~63	4.5
NC8-0922~1822	45	87	88	120	142	35	55~63	4.5
NC8-25~38	45	97	106	139	160	35	60~70	4.5
NC8-2522~3822	45	97	106	139	160	35	60~70	4.5



NC8-25~38
 NC8-2522~3822

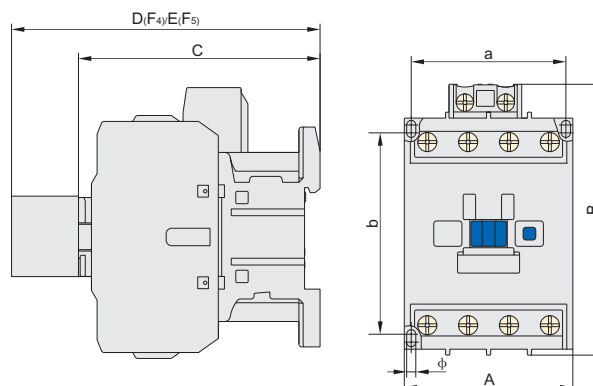


NC8-09/4~18/4
 NC8-09/22~18/22

Model	Amax	Bmax	Cmax	Dmax	E _{max}	a	b	φ
NC8-09/4~18/4	45	87	82	115	136	35	55~63	4.5
NC8-09/22~18/22	45	87	82	115	136	35	55~63	4.5
NC8-25/4~38/4	57	97	90	122.5	144	35	60~70	4.5
NC8-25/22~38/22	57	97	90	122.5	144	35	60~70	4.5



NC8-25/4~38/4
 NC8-25/22~38/22



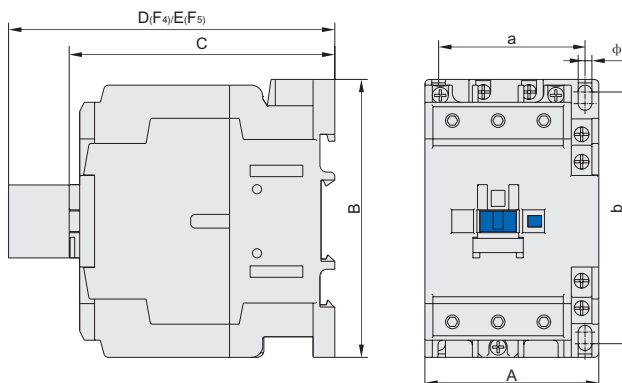


NC8-40~65



NC8-80~100

Model	Amax	Bmax	Cmax	Dmax	Emax	a	b	φ
NC8-40~65	77	122.5	118	150	172	64	100~110	6.0
NC8-80~100	87	130	127	159	180	74	105~116	5.5

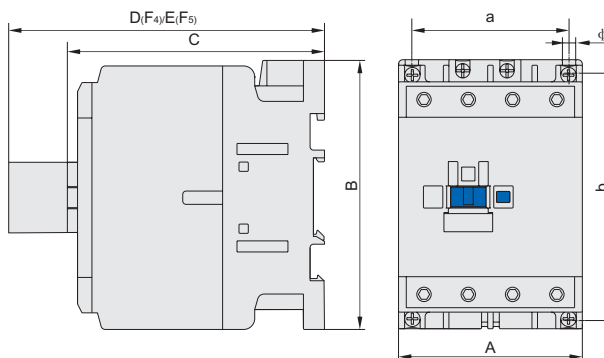


NC8-40/4~65/4



NC8-80/4~100/4

Model	Amax	Bmax	Cmax	Dmax	Emax	a	b	φ
NC8-40/4~65/4	84	122.5	118	150	172	71	100~110.5	6.0
NC8-80/4~100/4	99	130	127	158	180	86	105~118.5	5.5



5.3 Mini type Reversing contactors/AC coil



D=58
 H=59
 W=91



D=58
 H=59
 W=91

3-pole		
Frame size	Aux. contacts	
	1NO	1NC
6A	NC8-06M10/N	NC8-06M01/N
9A	NC8-09M10/N	NC8-09M01/N
12A	NC8-12M10/N	NC8-12M01/N

4-pole	
Frame size	Main contacts
	4NO
6A	NC8-06M/4/N
9A	NC8-09M/4/N
12A	NC8-12M/4/N

5.4 Mini type Reversing contactors/DC coil



D=70
 H=59
 W=91



D=70
 H=59
 W=91

3-pole		
Frame size	Aux. contacts	
	1NO	1NC
6A	NC8-06M10/Z/N	NC8-06M01/Z/N
9A	NC8-09M10/Z/N	NC8-09M01/Z/N
12A	NC8-12M10/Z/N	NC8-12M01/Z/N

4-pole	
Frame size	Main contacts
	4NO
6A	NC8-06M/4/Z/N
9A	NC8-09M/4/Z/N
12A	NC8-12M/4/Z/N

5.5 Magnetic starter

Mini type frame size from 6A to 12A



Normal type frame size from 40A to 100A



5.6 Star-delta starter



5. Derived products

5.1 3-pole Reversing contactor



D=87 H=92
W=100

Frame size	Aux. contacts	
	1NO+1NC	2NO+2NC
9A	NC8-09/N	NC8-0922/N
12A	NC8-12/N	NC8-1222/N
18A	NC8-18/N	NC8-1822/N



D=107 H=100
W=104

Frame size	Aux. contacts	
	1NO+1NC	2NO+2NC
25A	NC8-25/N	NC8-2522/N
32A	NC8-32/N	NC8-3222/N
38A	NC8-38/N	NC8-3822/N



D=139 H=157.5
W=188.5

Frame size	Aux. contacts
	1NO+1NC
40A	NC8-40/N
50A	NC8-50/N
65A	NC8-65/N



D=152 H=165
W=218.5

Frame size	Aux. contacts
	1NO+1NC
80A	NC8-80/N
100A	NC8-100/N

5.2 4-pole Reversing contactor



D=82 H=92
 W=100

Frame size	Main contacts
	4NO
9A	NC8-09/4/N
12A	NC8-12/4/N
18A	NC8-18/4/N



D=90 H=100
 W=122

Frame size	Main contacts
	4NO
25A	NC8-25/4/N
32A	NC8-32/4/N
38A	NC8-38/4/N



D=118 H=164.5
 W=188.5

Frame size	Main contacts
	4NO
40A	NC8-40/4/N
50A	NC8-50/4/N
65A	NC8-65/4/N



D=152 H=176
 W=218.5

Frame size	Main contacts
	4NO
80A	NC8-80/4/N
100A	NC8-100/4/N

4.3 The connection capability of main control circuit

Connection circuit	frame size		6A	9A	12A	9A	12A	18A	25A	32A	38A	40A	50A	65A	80A	100A		
			Mini type					Normal type										
Main circuit connection	cable connection (mm ²)	flexible cable (with cold-press terminal)	single cable	1~2.5		1~4		1.5~6		2.5~10			10~25			16~50		
			duad cable	1~1.5		1~2.5		1~4		2.5~6			4~16			10~35		
	stiff cable	single cable	1~2.5		1~4		1.5~6		2.5~10			-			-			
		duad cable	1~2.5		1~4		1.5~6		2.5~10			-			-			
	screw size			M3		M3.5		M4			M8							
	tightening torque			(N.m) 0.8		1.2		2			6							
			(lb.in.) 7		7		10			45								
Control circuit connection	cable connection (mm ²)	flexible cable (with cold-press terminal)	single cable	1~2.5		1~4												
			duad cable	1~1.5		1~2.5		1~4										
	stiff cable	single cable	1~2.5		1~4		1~2.5											
		duad cable	1~2.5		1~4		1~4											
	screw size			M3		M3.5		M3.5										
	tightening torque			(N.m) 0.8		1.2		1.2										
			(lb.in.) 7		7		7											

4.4 The characteristic of AC control circuit

Connection circuit	frame size		6A	9A	12A	9A	12A	18A	25A	32A	38A	40A	50A	65A	80A	100A
			Mini type					Normal type								
Coil voltage(V)	AC 50Hz/60Hz		24~660													
	DC		12~250													
Acting range	attraction(hot)		(85%~110%)Us; +40°C													
	release(cold)		AC: (20%~70%)Us, DC: (10%~60%)Us; -5°C													
The average power of AC coil(VA)	start		25~40		50~70		160~210			190~250						
	holding		2~7		6~10		13~25			17~30						
Heat wastage(W)	AC		1~4		2~4		4~7			5~8						
	DC															
Main contact action time(ms)	close		10~18		12~25		15~25			15~30						
	disconnection		4~16		5~20		6~15			8~17						

4.5 Main technical data of accessories

F4, front mount	matched contactor	model of accessories		F4-20	F4-11	F4-02	F4-40	F4-31	F4-22	F4-13	F4-04
	NC8-09~100	contacts	N/O	2	1	0	4	3	2	1	0
N/C			0	1	2	0	1	2	3	4	
F8, front mount	matched contactor	model of accessories		F8-20	F8-11	F8-02	F8-40	F8-31	F8-22	F8-13	F8-04
	NC8-06M~12M	contacts	N/O	2	1	0	4	3	2	1	0
N/C			0	1	2	0	1	2	3	4	
NCF8, side mount	matched contactor	model of accessories		NCF8-11							
	NC8-09~100	contacts	N/O	1							
N/C			1								
F5, Pneumatic timer	matched contactor	model of accessories		F5-T0	F5-T2	F5-T4	F5-D0	F5-D2	F5-D4		
	NC8-09~100	contacts	N/O	1	1	1	1	1	1		
			N/C	1	1	1	1	1	1		
		time-delay range(s)		0.1~3	0.1~30	10~180	0.1~3	0.1~30	10~180		
SR8, surge arrester	NC8-06M~12M	SR8-A									
	NC8-09~38	SR8-B									
	NC8-40~100	SR8-C									
Rated operational voltage(V)				up to 690							
Rated insulation voltage(V)				690							
Rated conventional current(A)				10							
Rated making capability				making current $10 \times I_e(\text{AC-15})$ or $1 \times I_e(\text{DC-13})$							
Short-circuit protection				gG fuse: 10A							
Control capacity		AC-15		360VA							
		AC-13		69W							
Standard				IEC/EN 60947-5-1							
Certificate				CE, UL, KEMA							
Protection degree				Ip20							
Cable connection (mm ²)	flexible cable (without cold-press terminal)	single cable		1~4							
		duad cable		1~4							
	flexible cable (with cold-press terminal)	single cable		1~4							
		duad cable		1~2.5							
	inflexible cable	single cable		1~4							
		duad cable		1~4							
screw size				M3.5							
tightening torque		(N.m)		1.2							
		(lb.in.)		7							

Note: the requirement to the environment of accessories is same with that of the contactors'.
 You can order the product that you need or recognize your existing product according to the above-mentioned number and the letter of alphabet code.

4.2 Main circuit parameter and technic capability

Frame size		6A	9A	12A	9A	12A	18A	
		Mini type			Normal type			
Rated conventional heating current(A)		20	20	20	25	25	32	
Rated insulation voltage(V)		690						
Rated impulse withstand voltage(kV)		6						
Rated making capability		making current: 10xle(AC-3) or 12xle(AC-4)						
Rated breaking capability		making-breaking current: 8xle(AC-3) or 10xle(AC-4)						
Short-time withstand current(A)		10s	48	72	96	72	96	144
Rated operational current (A)	220V/230V/240V	AC-3	6	9	12	9	12	18
		AC-4	6	9	12	9	12	18
	380V/400V	AC-3	6	9	12	9	12	18
		AC-4	6	9	9	9	12	18
	415V	AC-3	6	9	12	9	12	18
		AC-4	6	9	9	9	12	18
	660V/690V	AC-3	3.8	4.9	4.9	6.7	9	10.6
		AC-4	3.8	4.9	4.9	6.7	9	9
Rated control power	AC-3(kW)	220V/230V/240V	1.5	2.2	3	2.2	4	4
		380V/400V	2.2	4	5.5	4	5.5	7.5
		415V	2.2	4	5.5	4	5.5	9
		660V/690V	3	4	4	5.5	7.5	9
	1PH(HP)	110V/120V	0.3	0.5	0.75	0.5	0.75	1
		230V/240V	0.75	1.5	2	1	2	3
	3PH(HP)	200V/208V	1.5	3	3	3	3	5
		230V/240V	1.5	3	3	3	3	5
		460V/480V	3	5	7.5	5	7.5	10
		575V/600V	3	5	10	7.5	10	15
Operating frequency(415V)	AC-3	1,200 operations/h						
	AC-4	300 operations/h						
Electrical life(415V)	AC-3	1,200,000 Operations						
	AC-4	to see Electrical life curves, page 23						
Mechanical life		10,000,000 Operations						
Configuration of main contacts		3-pole:3NO; 4-pole:4NO or 2NO+2NC						
Matched fuse type		RT16-20	RT16-20	RT16-20	RT16-20	RT16-25	RT16-32	
Matched thermal over-load relay	Modle	NR8-11.5			NR8-38			
	current range	0.1~0.16	0.63~1	2.5~4	9~13	0.1~0.16	0.63~1	2.5~4 9~13 30~38
		0.16~0.25	1~1.6	4~6		0.16~0.25	1~1.6	4~6 12~18
		0.25~0.4	1.6~2.5	5.5~8		0.25~0.4	1.6~2.5	5.5~8 16~24
		0.4~0.63		7~10		0.4~0.63		7~10 23~32

25A	32A	38A	40A	50A	65A	80A	100A
Normal type							
40	50	50	60	80	80	125	125
					690		
		6		8			
making current:10xle(AC-3) or 12xle(AC-4)							
making-breaking current:8xle(AC-3) or 10xle(AC-4)							
200	256	304	320	400	520	640	800
25	32	38	40	50	65	80	100
25	32	38	40	50	65	80	100
		32					
25	32	38	40	50	65	80	100
		32					
17.3	21.9	21.9	34	39	42	49	49
17.3	21.9	21.9	34	39	42	49	49
5.5	7.5	9	11	15	18.5	22	25
11	15	18.5	18.5	22	30	37	45
11	15	18.5	22	25	37	45	45
15	18.5	18.5	30	33	37	45	45
1.5	2	2	3	5	5	7.5	10
3	5	5	5	7.5	10	20	20
7.5	10	10	10	15	20	30	30
7.5	10	0	10	15	20	30	30
15	20	20	30	40	50	60	60
20	25	25	30	40	50	60	60
1,200 operations/h							
300 operations/h				120 operations/h			
1,200,000 Operations							
to see Electrical life curves, page 23							
10,000,000 Operations							
				3-pole: 3NO; 4-pole: 4NO			
RT16-50	RT16-63	RT16-63	RT16-63	RT16-80	RT16-80	RT16-100	RT16-125
NR8-38			NR2-93		NRE8-100		
0.1~0.16	0.63~1	2.5~4	9~13	30~38	23~32	55~70	65
0.16~0.25	1~1.6	4~6	12~18		30~40	63~80	100
0.25~0.4		5.5~8	16~24		37~50	80~93	
0.4~0.63	1.6~2.5	7~10	23~32		48~65		

Frame size	6A	9A	12A	6A	9A	12A
------------	----	----	-----	----	----	-----

Contactors

AC coil



DC coil



Auxiliary contact block



F8
Front mount

contacts number

4NO	F8-40
3NO+1NC	F8-31
2NO+2NC	F8-22
1NO+3NC	F8-13
4NC	F8-04
2NO	F8-20
1NO+1NC	F8-11
2NC	F8-02

Surge arrester



SR8-A
Surge arrester

Voltage protection scope

AC127V~240V DC150V~250V	SR8-A/1
AC240V~400V	SR8-A/2

Overload relays



NR8-11.5
Bimetallic style
Overload relay

NR8-11.5

Rated current (A)

0.1~0.16	1.6~2.5
0.16~0.25	2.5~4
0.25~0.4	4~6
0.4~0.63	5.5~8
0.63~1	7~10
1~1.6	9~13

4. Technical data

4.1 Working environment and technical index

Overvoltage category	III		
Pollution degree	3		
Standard	IEC/EN 60947-4-1		
Certificate	CE, UL, KEMA		
Protection degree	IP20		
Ambient air temperature	being working	-5°C~+40°C, the average temperature during 24 hours should not exceed +35°C. More information refer to table 1	
	transportation or storage	-25°C~+55°C, or can up to +70°C for a short time (in 24 hours)	
Altitude(m)	no exceeding 2000m, more information refer to table 2		
Atmosphere conditions	At mounting side, relative humidity no exceeding 50%, at the max temperature of +40°C. Higher relative humidity is allowable under lower temperature. For example, RH could be +20°C, special measure should be taken to occurrence of dews.		
Installation conditions	the inclination between installation plane and vertical plane is within $\pm 22.5^\circ$		
Impact and shake	the product should be used in the places where there are no obvious impact and shake		

Table 1

Altitude(m)	2000	3000	4000
Rated impulse withstand voltage	1	0.88	0.78
Correction coefficient			
Rated operational current			
Correction coefficient	1	0.92	0.9

Table 2

environment temperature(°C)	40	50	60	70
correction coefficient	1	0.875	0.75	0.625

Frame size	40A	50A	65A	80A	100A
------------	-----	-----	-----	-----	------

Contactors



3-pole



4-pole



3-pole



4-pole

Overload relays



NR2-93
Bimetallic style
Overload relay

NR2-93

Rated current (A)

23~32

30~40

37~50

48~65

55~70

63~80

80~93



NRE8-100
Electronic style
Overload relay

NRE8-100

Rated current (A)

65

100

Frame size	6A	9A	12A	6A	9A	12A
------------	----	----	-----	----	----	-----

Contactors

AC coil



DC coil



3-pole	Auxiliary contacts	1NO	NC8-06M10	NC8-09M10	NC8-12M10	NC8-06M10/Z	NC8-09M10/Z	NC8-12M10/Z
		1NC	NC8-06M01	NC8-09M01	NC8-12M01	NC8-06M01/Z	NC8-09M01/Z	NC8-12M01/Z
4-pole	Main contacts	4NO	NC8-06M/4	NC8-09M/4	NC8-12M/4	NC8-06M/4/Z	NC8-09M/4/Z	NC8-12M/4/Z
		2NO+2NC	NC8-06M/22	NC8-09M/22	NC8-12M/22	NC8-06M/22/Z	NC8-09M/22/Z	NC8-12M/22/Z

Ratings/IEC/EN 60974-4-1		kW	A	kW	A	kW	A	kW	A	kW	A	kW	A
AC-1			20		20		20		20		20		20
AC-3	220V/230V/240V	1.5	6	2.2	9	3	12	1.5	6	2.2	9	3	12
	380V/400V	2.2	6	4	9	5.5	12	2.2	6	4	9	5.5	12
	415V	2.2	6	4	9	5.5	12	2.2	6	4	9	5.5	12
	660V/690V	3	3.8	4	4.9	4	4.9	3	3.8	4	4.9	4	4.9

Ratings/UL508		hp	A	hp	A	hp	A	hp	A	hp	A	hp	A
Continuous current			20		20		20		20		20		20
Single phase	110V/120V	0.3		0.5		0.75		0.3		0.5		0.75	
	230V/240V	0.75		1.5		2		0.75		1.5		2	
Three phases	200V/208V	1.5		3		3		1.5		3		3	
	230V/240V	1.5		3		3		1.5		3		3	
	460V/480V	3		5		7.5		3		5		7.5	
	575V/600V	3		5		10		3		5		10	

Accessories

F8



SR8-A



NR8-11.5



See page 11 for more details

★ NQ2-15N/1

Applicable range	Order code	CTN
0.1~0.16	511228	4
0.16~0.25	511229	4
0.25~0.4	511230	4
0.4~0.63	511231	4
0.63~1	511232	4
1~1.6	511233	4
1.25~2	511234	4
1.6~2.5	511235	4
2.5~4	511236	4
4~6	511237	4
5.5~8	511238	4
7~10	511239	4
9~13	511240	4

★ NQ2-15P/1

Applicable range	Order code	CTN
0.1~0.16	511245	6
0.16~0.25	511246	6
0.25~0.4	511247	6
0.4~0.63	511248	6
0.63~1	511249	6
1~1.6	511250	6
1.25~2	511251	6
1.6~2.5	511252	6
2.5~4	511253	6
4~6	511254	6
5.5~8	511255	6
7~10	511256	6
9~13	511257	6

★ NQ2-15NB/1

Applicable range	Order code	CTN
-	511262	4

★ NQ2-15NB/3

Applicable range	Order code	CTN
-	511264	4

★ NQ2-15N/2

Applicable range	Order code	CTN
12~18	511241	4

★ NQ2-15N/3

Applicable range	Order code	CTN
17~25	511242	4

★ NQ2-15N/4

Applicable range	Order code	CTN
23~32	511243	4
28~36	511244	4

★ NQ2-15P/2

Applicable range	Order code	CTN
12~18	511258	6

★ NQ2-15P/3

Applicable range	Order code	CTN
17~25	511259	6

★ NQ2-15P/4

Applicable range	Order code	CTN
23~32	511260	6
28~36	511261	6

★ NQ2-15NB/2

Applicable range	Order code	CTN
-	511263	4

★ NQ2-15NB/4

Applicable range	Order code	CTN
-	511265	4

➔ NS2 Manual Motor Starter

★ NS2-25

Applicable range	Order code		CTN
	Standard	RoHS	
0.1~0.16	511601	981825	50
0.16~0.25	511602	981826	50
0.25~0.4	511603	981827	50
0.4~0.63	511604	981828	50
0.63~1	511605	981829	50
1~1.6	511606	981830	50
1.6~2.5	511607	981831	50
2.5~4	511608	981832	50
4~6.3	511609	981833	50
6~10	511610	981834	50
9~14	511611	981835	50
13~18	511612	981836	50
17~23	511613	981837	50
20~25	511614	981838	50

★ NS2 shunt release

Control voltage (V)	Applicable range	Order code	CTN
NS2-SH110	110~115V 50Hz	511625	1
NS2-SH220	220~240V 50Hz	511627	2
NS2-SH380	380~400V 50Hz	511628	3

★ NS2 lateral instantaneous auxiliary contact

Control voltage (V)	Applicable range	Order code	CTN
NS2-AU20	2NO	511633	-
NS2-AU11	1NO+1NC	511634	-

★ NS2 water-proof enclosure

Control voltage (V)	Applicable range	Order code	CTN
NS2-MC	IP55	511639	-

★ NS2 Emergent stop parts (water-proof enclosure)

Control voltage (V)	Applicable range	Order code	CTN
NS2-MCPB	IP55	511641	-

★ NS2-80B

Applicable range	Order code		CTN
	Standard	RoHS	
16~25	511616		20
25~40	511617		20
40~63	511618		20
56~80	511604		20

★ NS2 under-voltage release

Control voltage (V)	Applicable range	Order code	CTN
NS2-UV110	110~115V 50Hz	511620	1
NS2-UV220	220~240V 50Hz	511622	2
NS2-UV380	380~400V 50Hz	511623	3

★ NS2 front instantaneous auxiliary contact

Control voltage (V)	Applicable range	Order code	CTN
NS2-AE20	2NO	511631	-
NS2-AE11	1NO+1NC	511632	-

★ NS2 fault signal contact and instantaneous auxiliary contact

Control voltage (V)	Applicable range	Order code	CTN
NS2-FA0110	1NC+1NO	511635	-
NS2-FA0101	1NC+1NC	511636	-
NS2-FA1010	1NO+1NO	511637	-
NS2-FA1001	1NO+1NC	511638	-

★ NS2 water-proof enclosure with emergent stop button

Control voltage (V)	Applicable range	Order code	CTN
NS2-MC01	IP55	511640	-

★ NS2 auxiliary contact for NS2-80B

Control voltage (V)	Applicable range	Order code	CTN
NS2-MCUA	IP55	511642	-